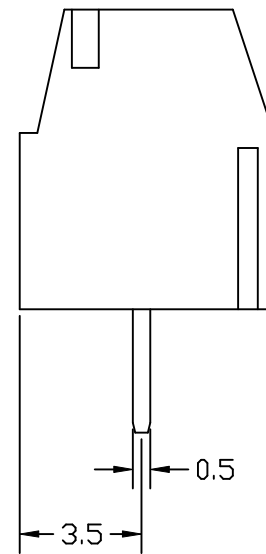
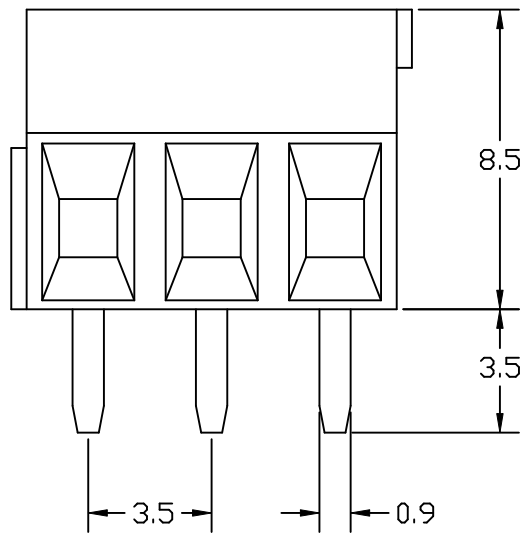


RECOMMENDED PCB HOLE
 SIZE: 1.1MM DIA (0.043" DIA)



DIMENSIONS ARE IN MILLIMETERS

DESCRIPTION:
 STB SERIES: PCB SCREW TERM



Winford Engineering
 4169 Four Mile Road
 Bay City, MI 48706

www.winfordeng.com

989-671-2941