

4

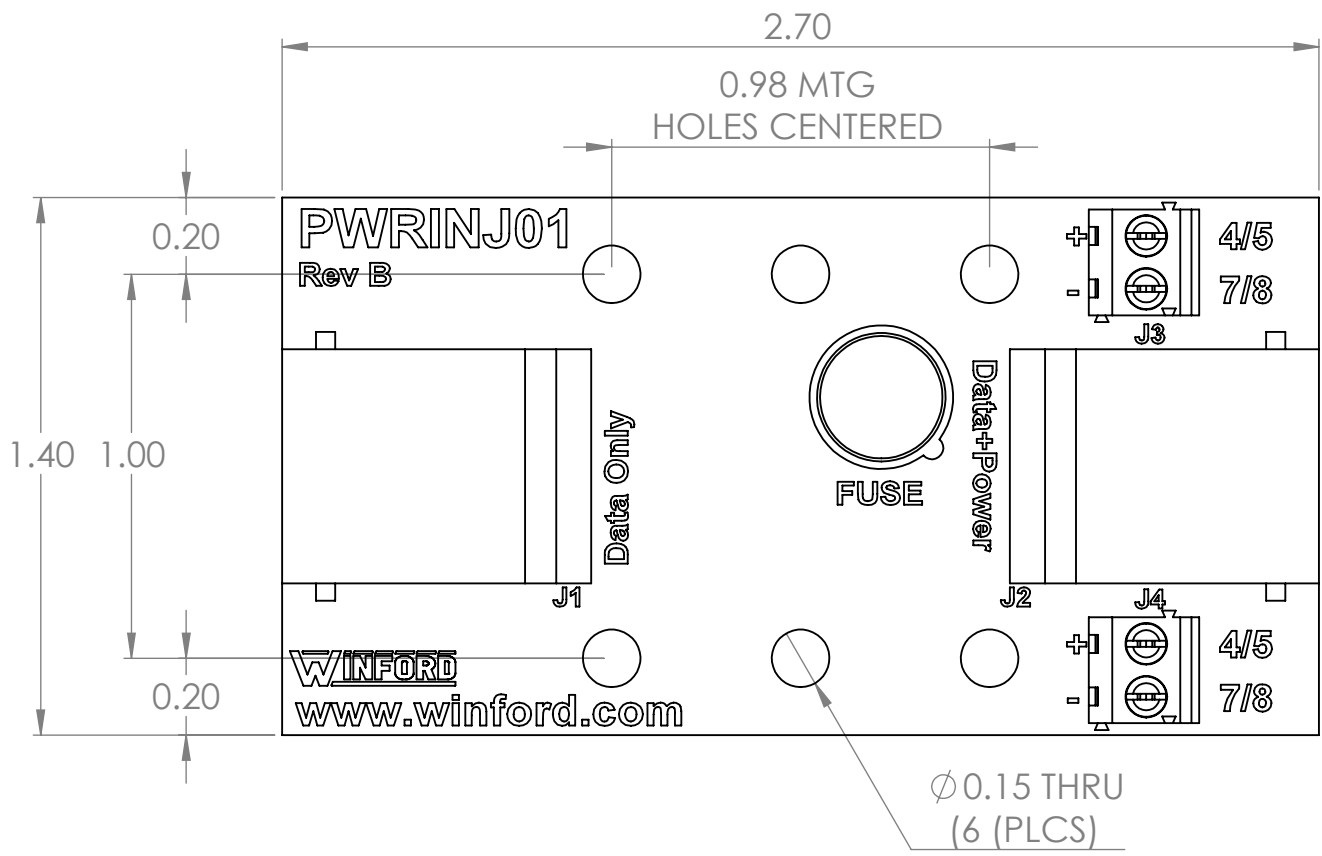
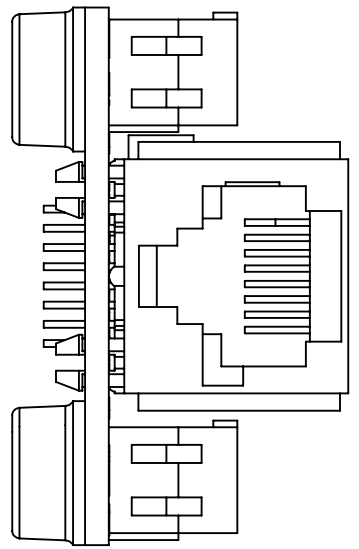
3

2

1

B

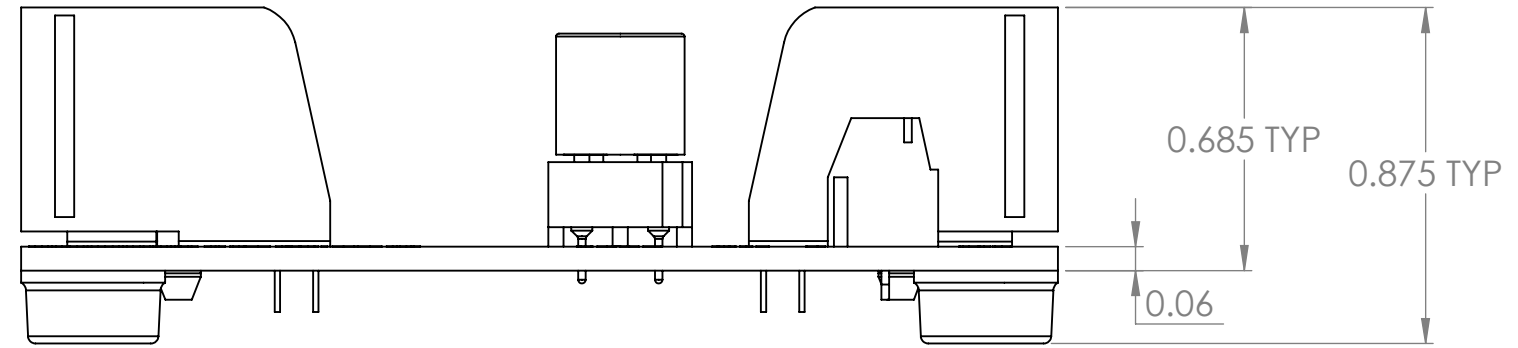
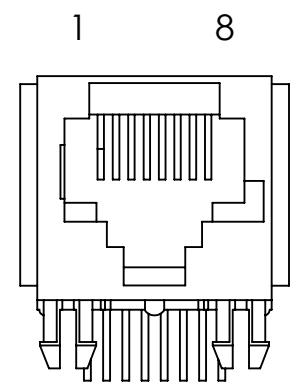
B




A

A

Connector Pinout



DIM: INCH	DATE: 06/17/2021	RoHS COMPLIANT: Yes	DESCRIPTION:	
 WINFORD ENGINEERING, LLC 4561 GARFIELD ROAD AUBURN, MI 48611			PoE Power Injection Board	
www.winford.com			989-671-9721	PART NUMBER (S) PWRINJ01-*-FT
				PART REVISION B

4

3

2

1