

4

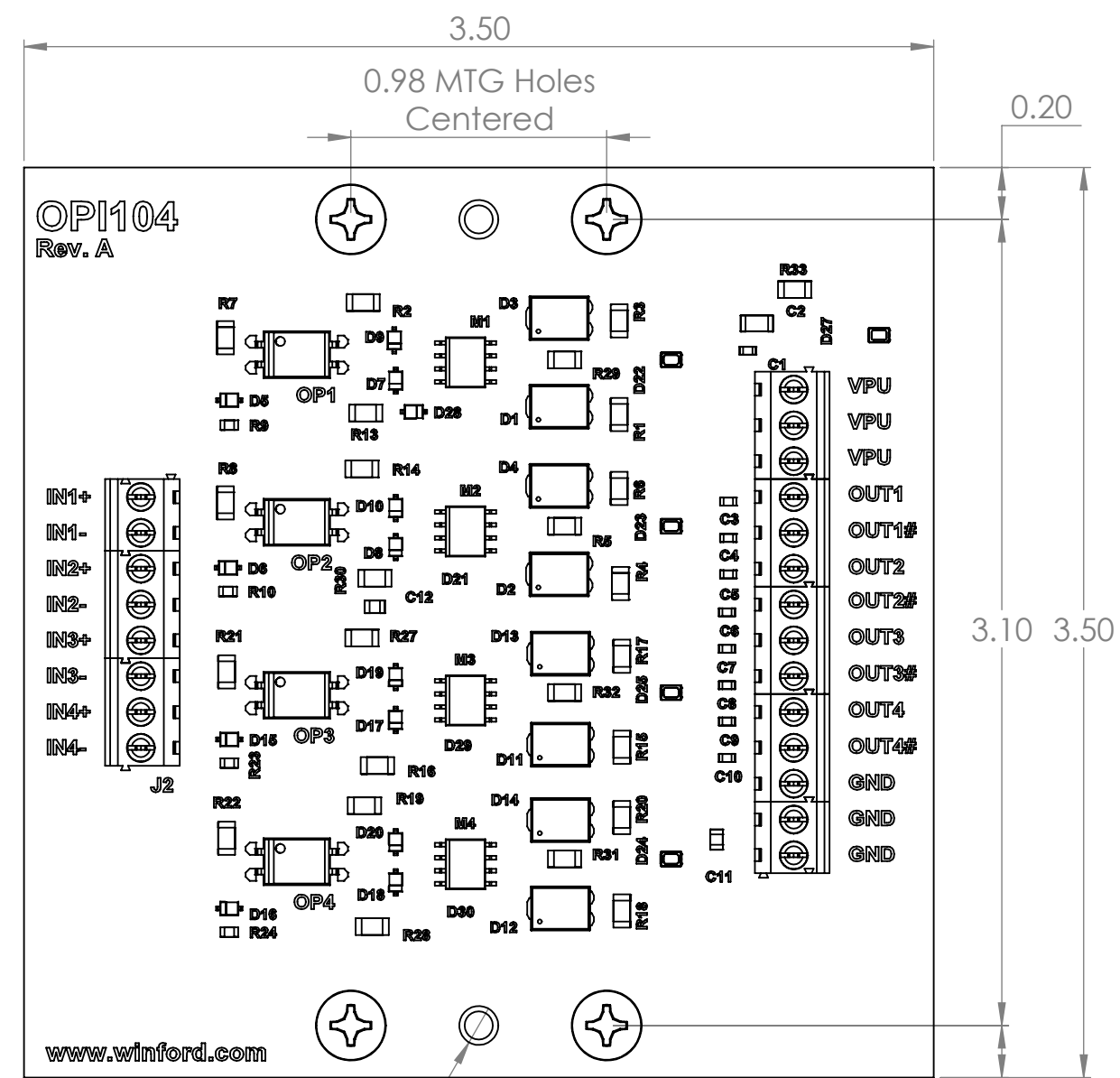
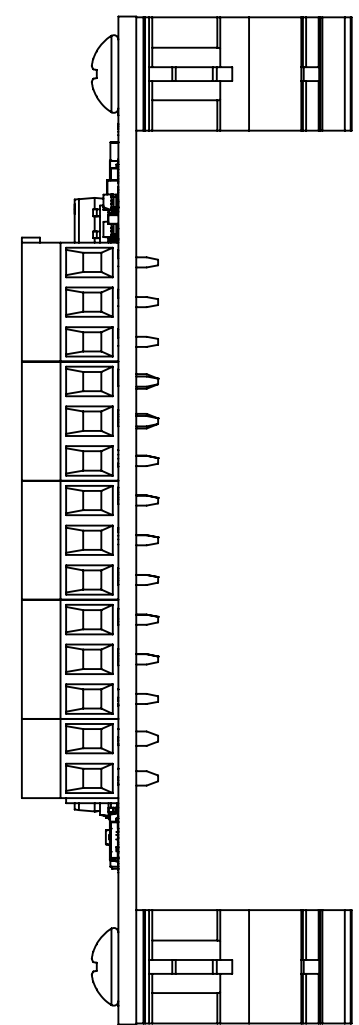
3

2

1

B

B

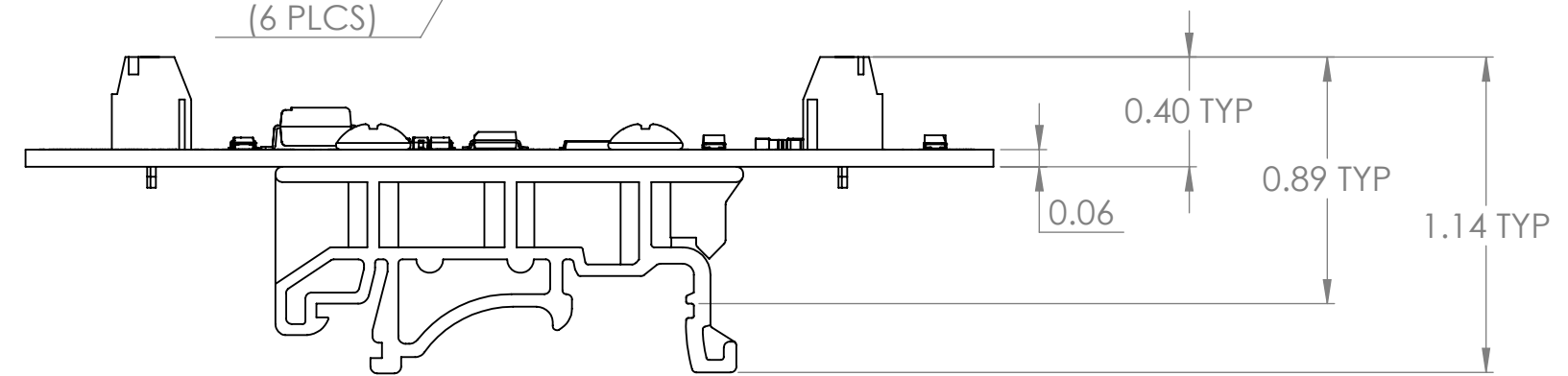



3.10 3.50

Ø0.15 THRU (6 PLCS)

A

A



DIM: INCH	DATE: 11/14/2022	RoHS COMPLIANT: Yes	DESCRIPTION: Opto-Isolator Board: 4 Channels, Buffered Outputs
		WINFORD ENGINEERING, LLC 4561 GARFIELD ROAD AUBURN, MI 48611	PART NUMBER (S) OPI104-DIN and OPI104-HS-DIN
www.winford.com		989-671-9721	PART REVISION <b>A</b>

4

3

2

1