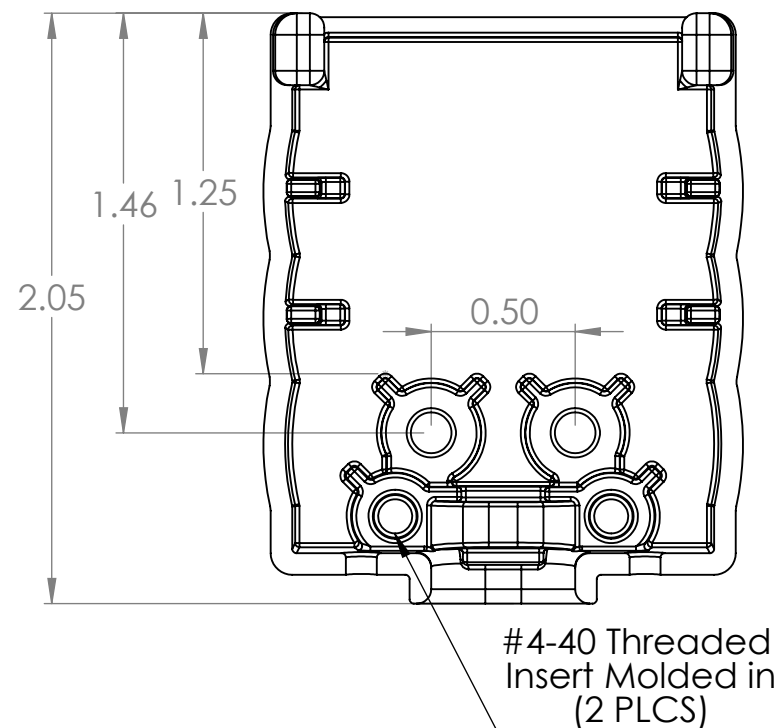
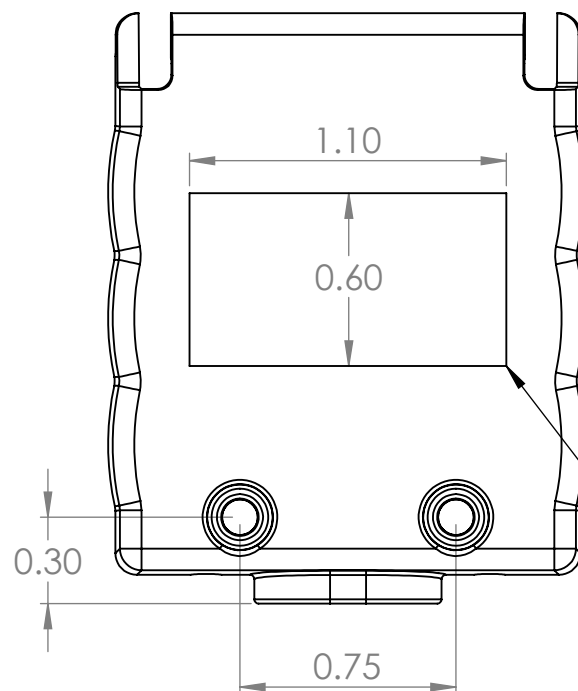


Note: See also "Recommended PCB Drawing to fit ECB9A2 Enclosure"

**Base**

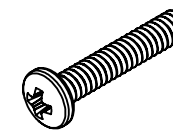


**Top**

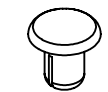


Same Dimensions  
On Top and Bottom

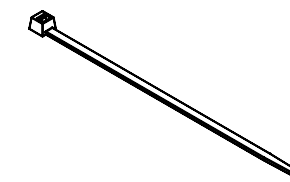
#4-40 Pan-Head Screw, 5/8"  
For Case Closure  
(Qty: 2)



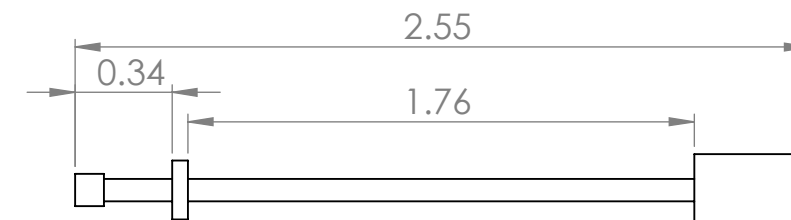
3.5mm Diameter Snap-Rivet, 5.5mm  
For attaching PCB  
(Qty: 2)



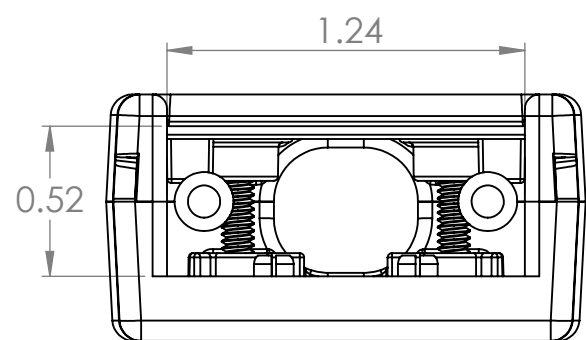
0.1" Zip Tie, 4"  
For Wire Strain Relief  
(Qty: 1)



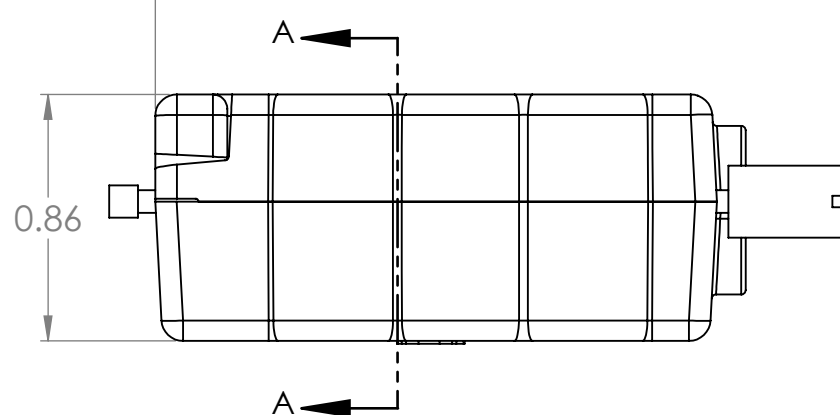
#4-40 Thumbscrew, 2.55"  
(Qty: 2)



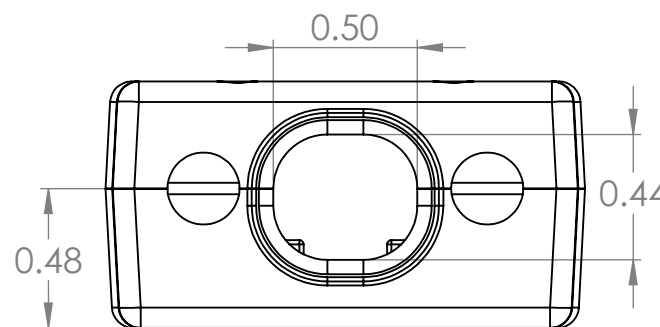
**Front Assembly**



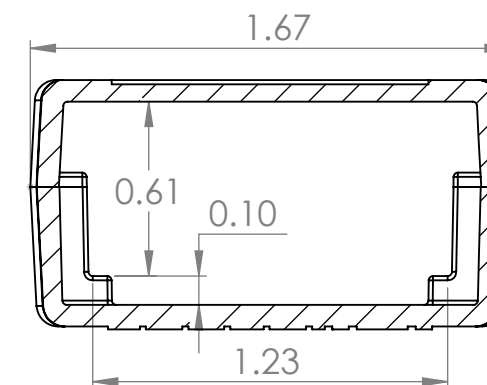
2.39 TYP



**Back Assembly**



**SECTION A-A**



DIM: INCH    DATE: 12/17/2021    RoHS COMPLIANT: Yes



WINFORD ENGINEERING, LLC  
4561 GARFIELD ROAD  
AUBURN, MI 48611

www.winford.com

989-671-9721

DESCRIPTION:

**DB9 PCB Enclosure Kit**

PART NUMBER (S)

**ECB9A2-T**

PART REVISION

**A**