

4

3

2

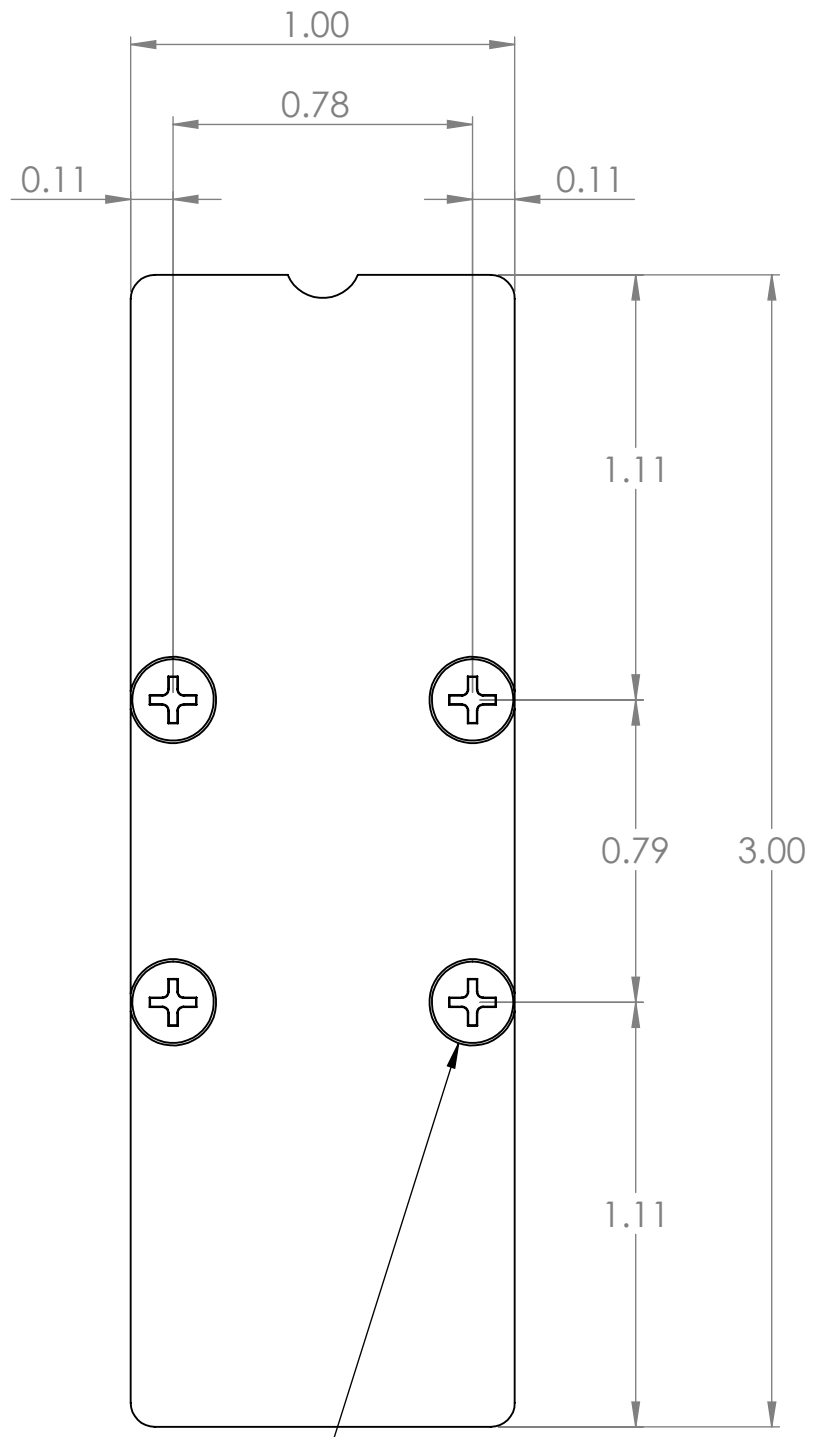
1

B

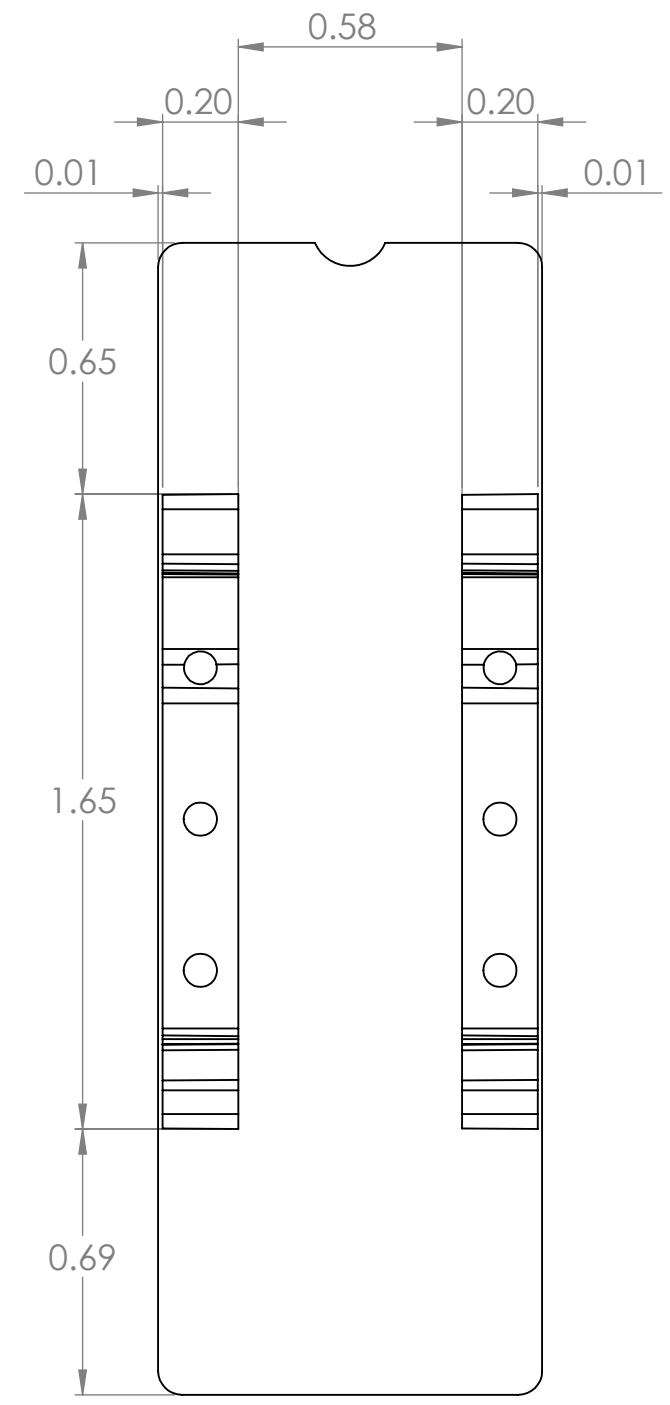
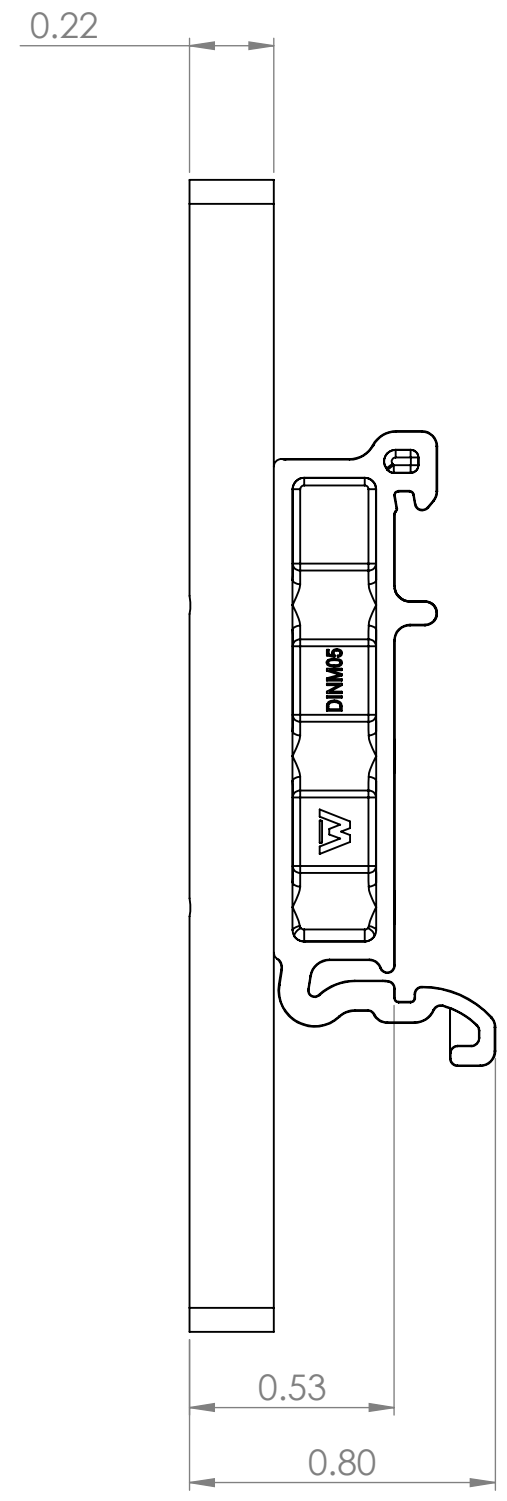
B


A

A



Ø0.225 COUNTERSINK TYP



DIM: INCH	DATE: 10/24/2022	RoHS COMPLIANT: Yes	DESCRIPTION: Polycarbonate DIN Mounting Plate 1"x3"	
 WINFORD ENGINEERING, LLC 4561 GARFIELD ROAD AUBURN, MI 48611			PART NUMBER (S) DINPP11-1030A	PART REVISION A
www.winford.com		989-671-9721		

4

3

2

1