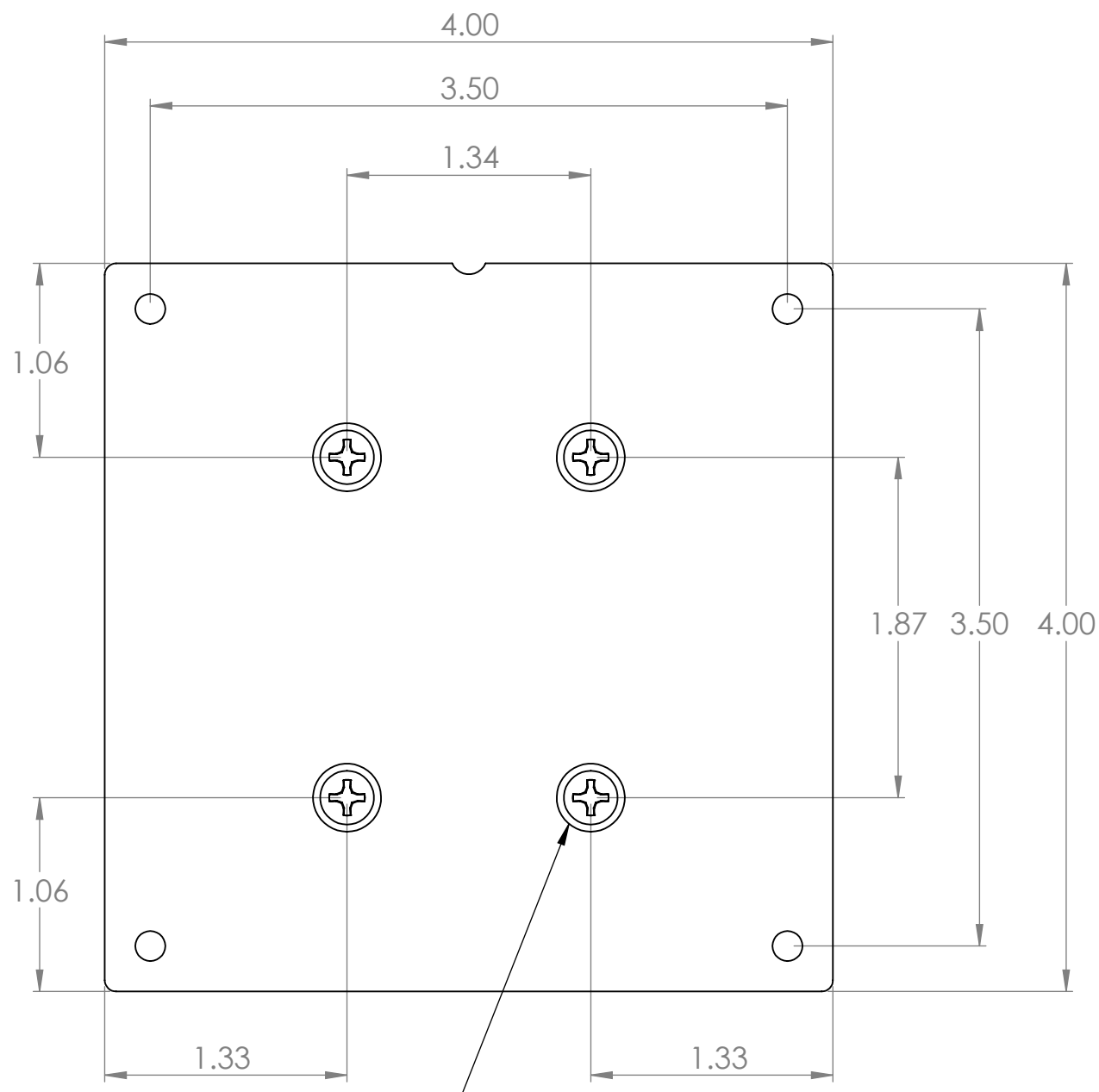


4

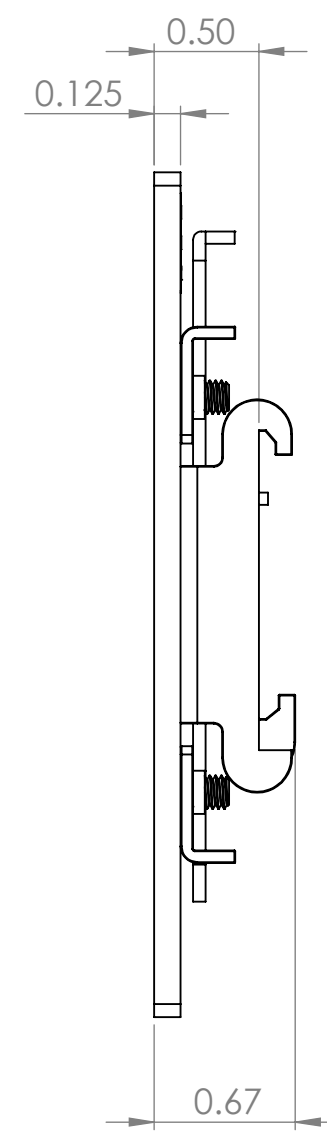
3

2

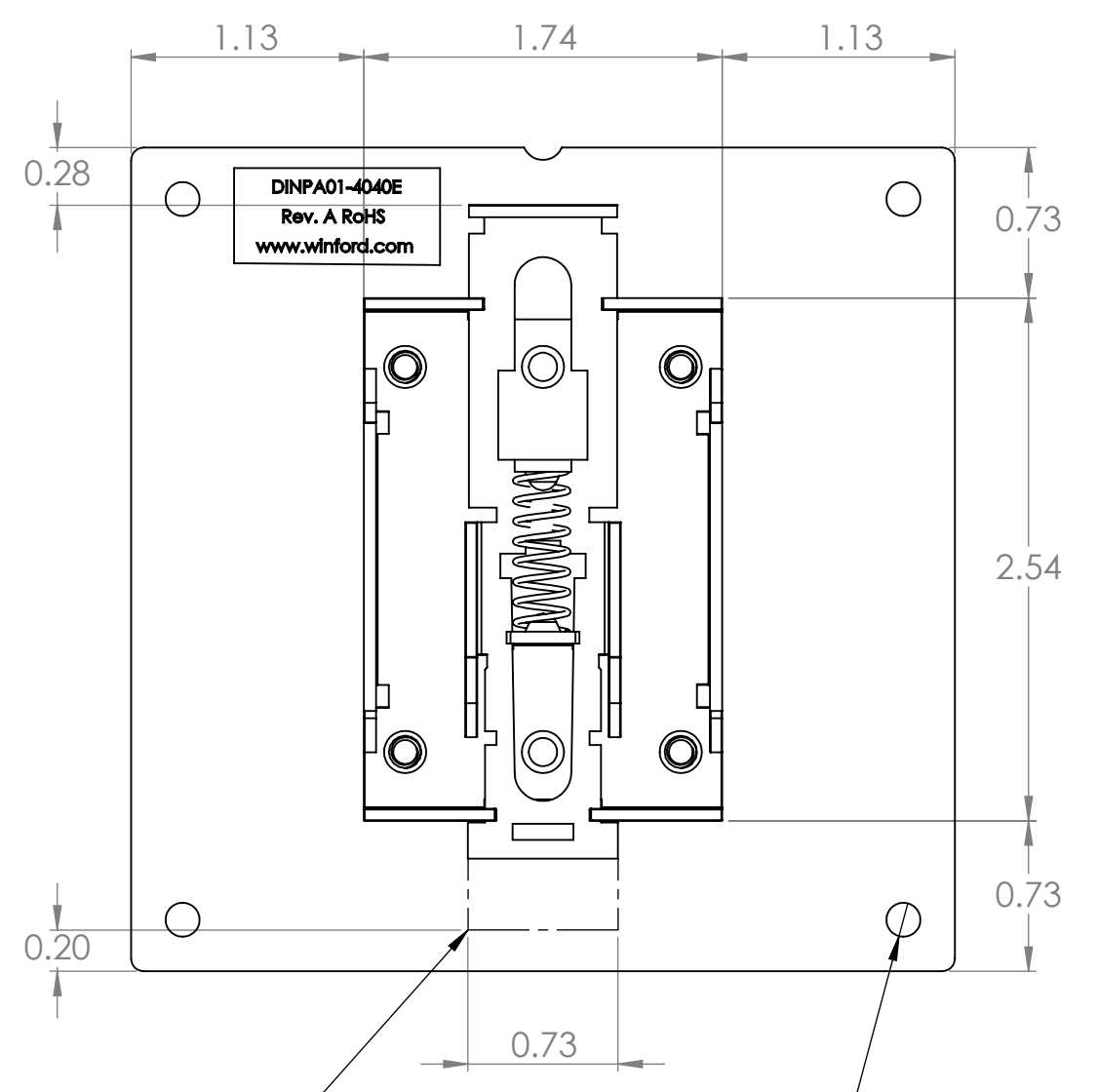
1



Ø0.374 COUNTERSINK




Release Slide Travel Extent



Ø0.165 THRU (4 PLCS)

DINPA01-4040E  
Rev. A RoHS  
www.winford.com

DIM: INCH	DATE: 07/20/2022	RoHS COMPLIANT: Yes	DESCRIPTION:
 WINFORD ENGINEERING, LLC 4561 GARFIELD ROAD AUBURN, MI 48611			Aluminum DIN Mounting Plate 4" X 4"
www.winford.com		989-671-9721	PART NUMBER (S)
			DINPA01-4040E
			PART REVISION
			A

4

3

2

1