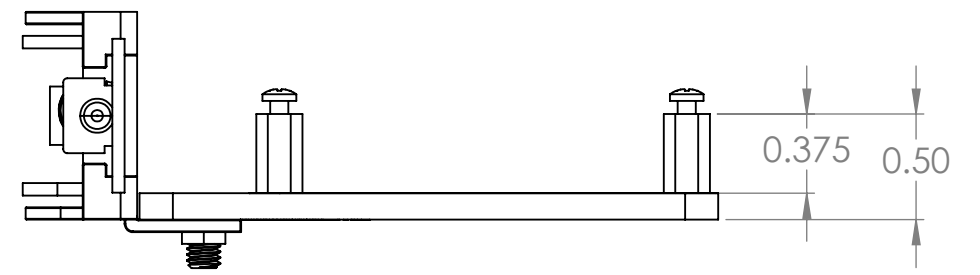
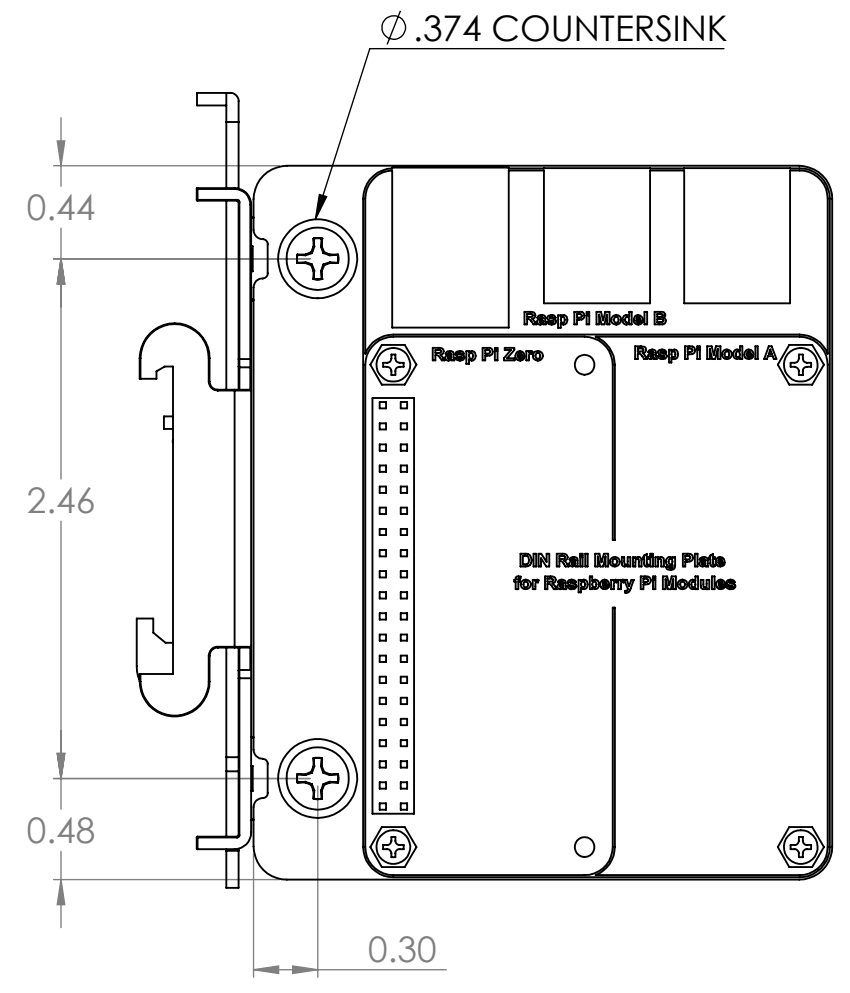
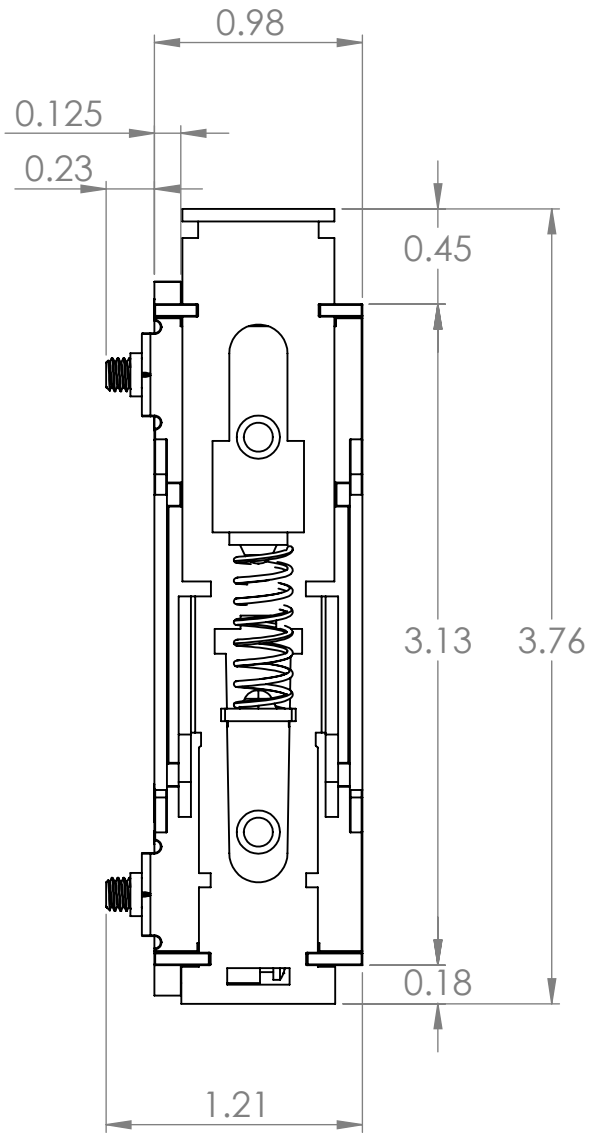
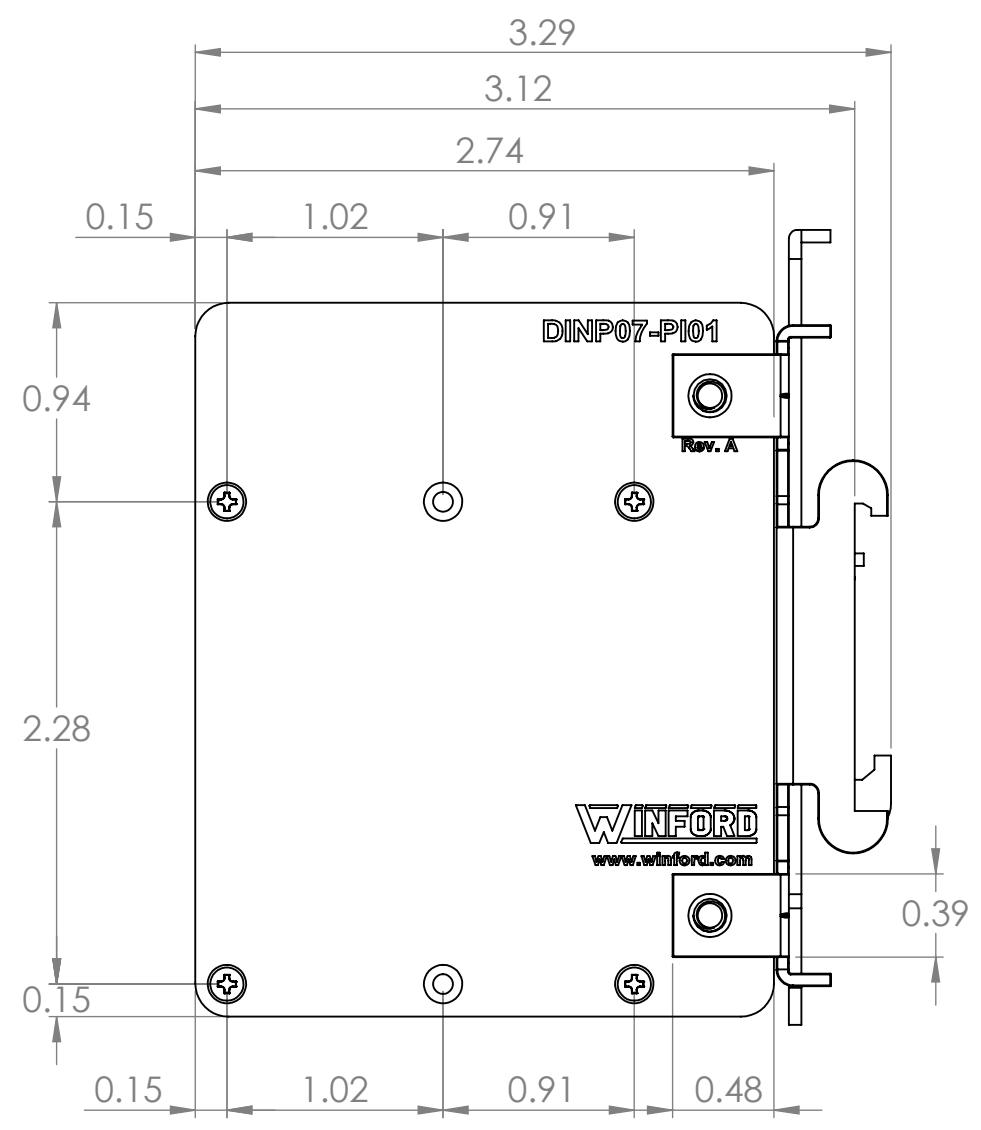


4

3


2

1



**Board Mounting Hardware, Included Unassembled  
(Shown assembled on drawing)**

QTY	Part
4	Nylon Standoffs, 0.375"
4	#2-56 Flat-Head Screws, 0.25"
4	#2-56 Pan-Head Screws, 0.25"

DIM: INCH	DATE: 06/21/2021	RoHS COMPLIANT: Yes	DESCRIPTION:
 WINFORD ENGINEERING, LLC 4561 GARFIELD ROAD AUBURN, MI 48611			DIN Mounting Plate for Raspberry Pi
www.winford.com		989-671-9721	PART NUMBER (S) <b>DINP07-PI01</b>
			PART REVISION <b>A</b>

4

3

2

1