

4

3

2

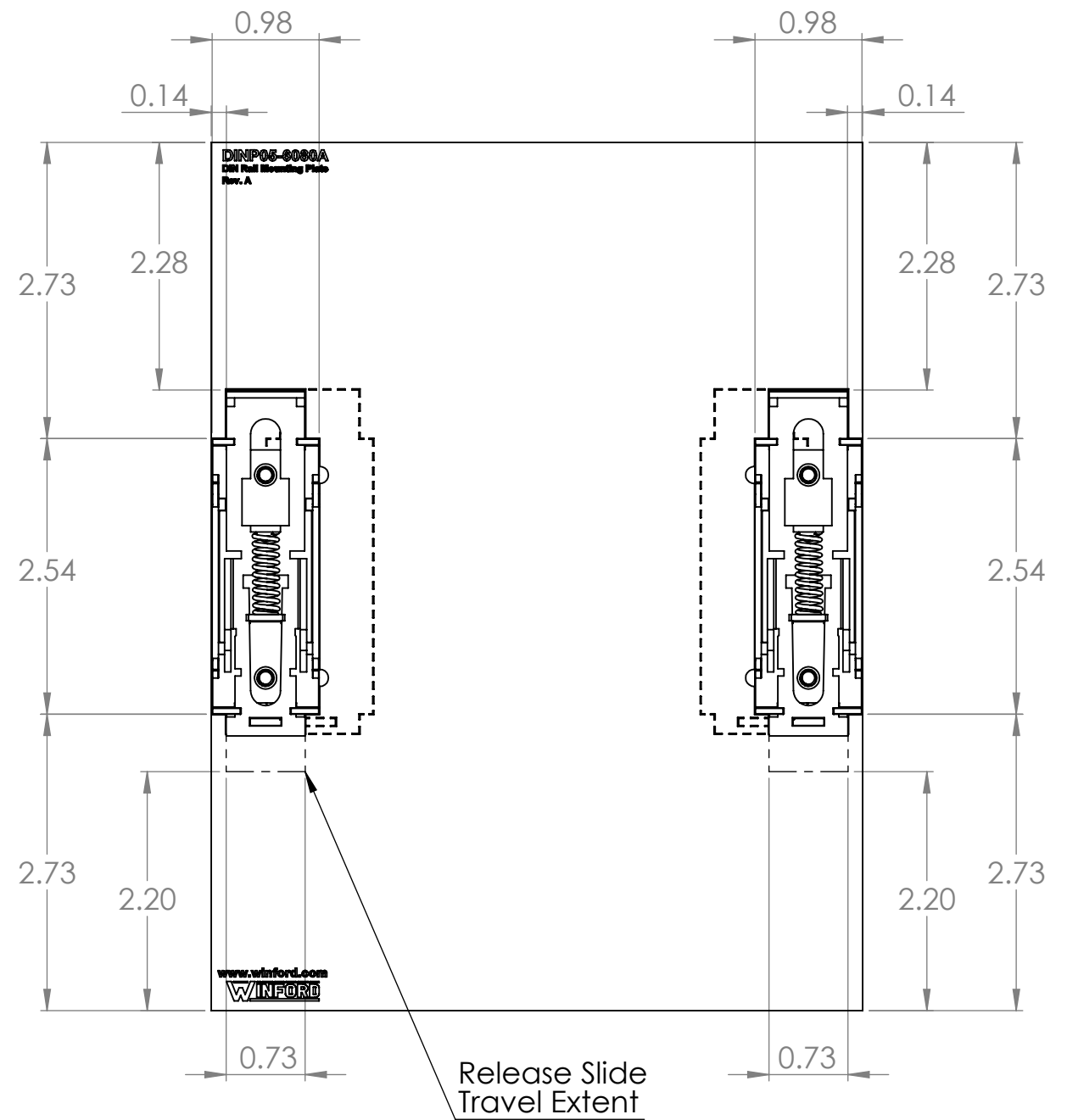
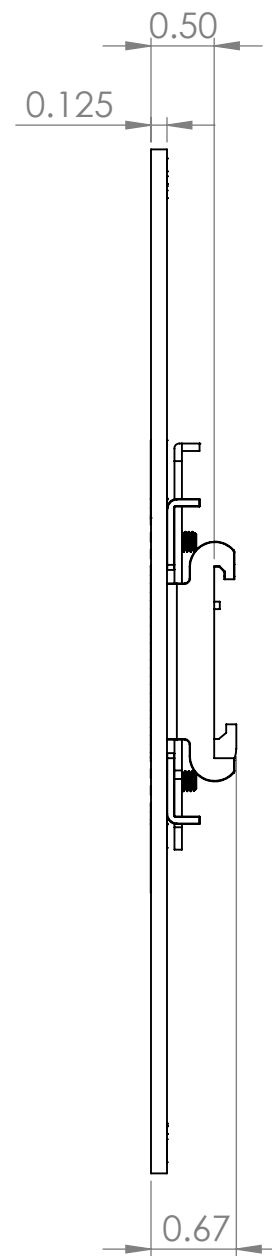
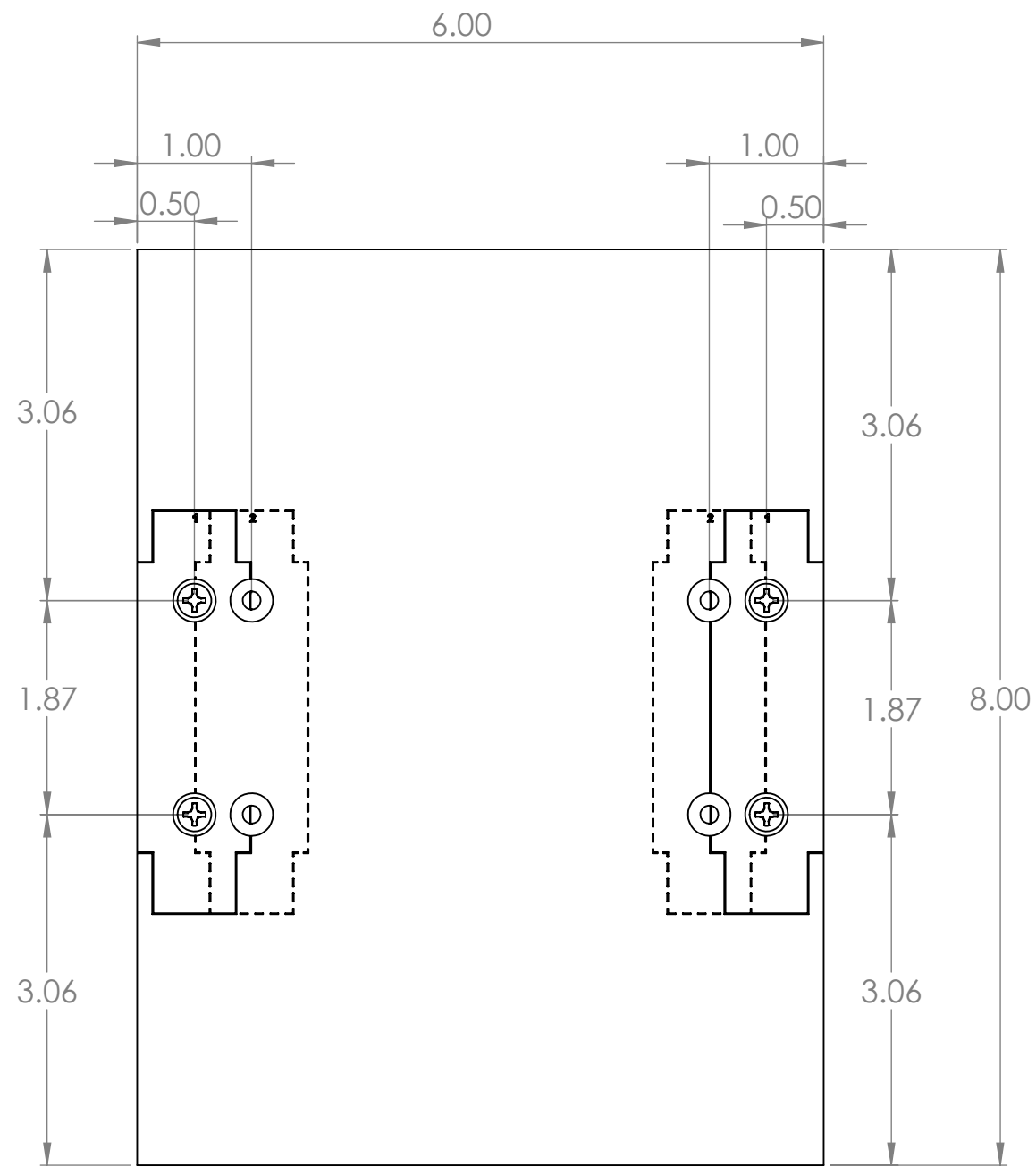
1


B

B

A

A



DIM: INCH	DATE: 05/14/2021	RoHS COMPLIANT: Yes	DESCRIPTION:
 WINFORD ENGINEERING, LLC 4561 GARFIELD ROAD AUBURN, MI 48611			DIN Rail Mounting Plate 6" x 8"
www.winford.com		989-671-9721	PART NUMBER (S)
			DINP05-6080A-1
			PART REVISION
			A

4

3

2

1