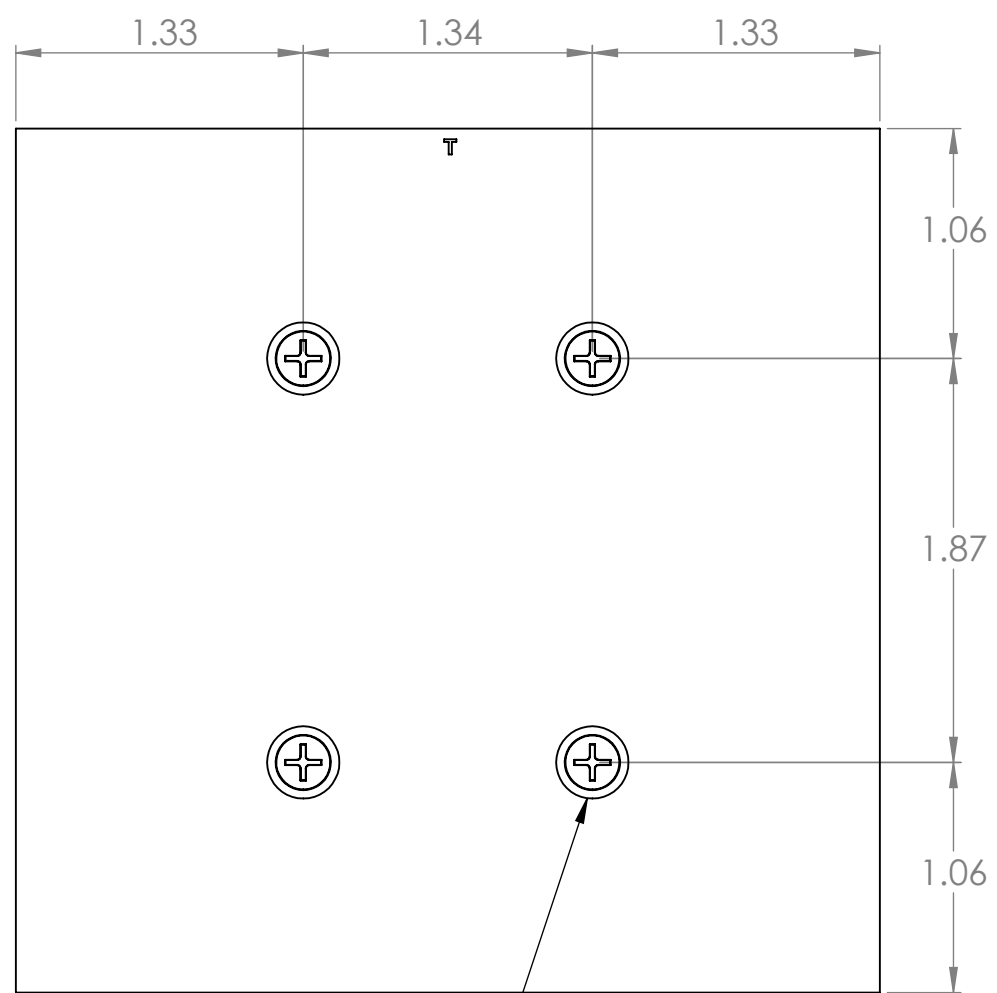


4

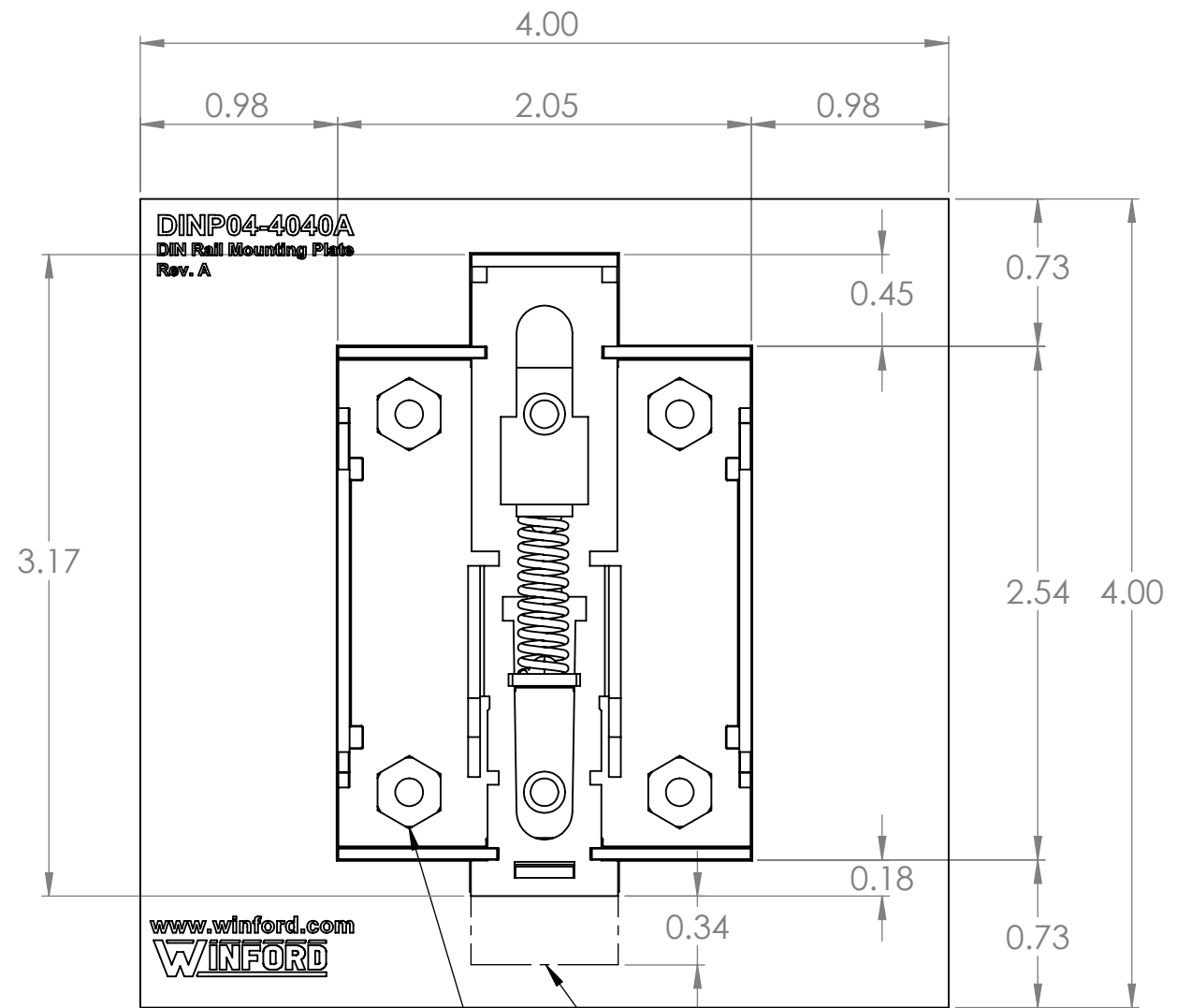
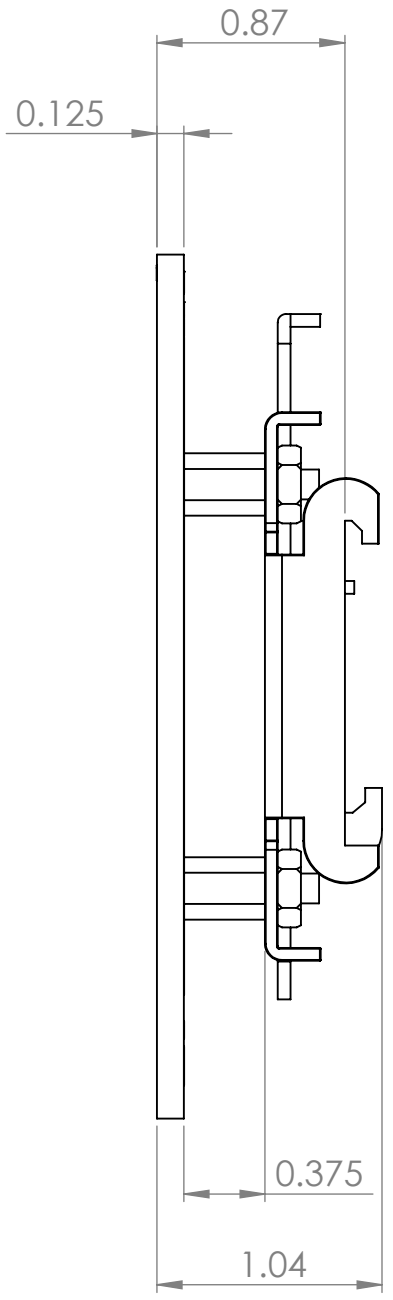
3

2

1



Ø0.33 COUNTERBORE
AND COUNTERSINK



Release Slide Travel Extent


(4) Nuts, included unassembled

B

B

A

A

DIM: INCH	DATE: 06/14/2021	RoHS COMPLIANT: Yes	DESCRIPTION:
 WINFORD ENGINEERING, LLC 4561 GARFIELD ROAD AUBURN, MI 48611			DIN Rail Mounting Plate with Standoffs
www.winford.com		989-671-9721	PART NUMBER (S)
			DINP04-4040A
			PART REVISION
			A

4

3

2

1