

4

3

2

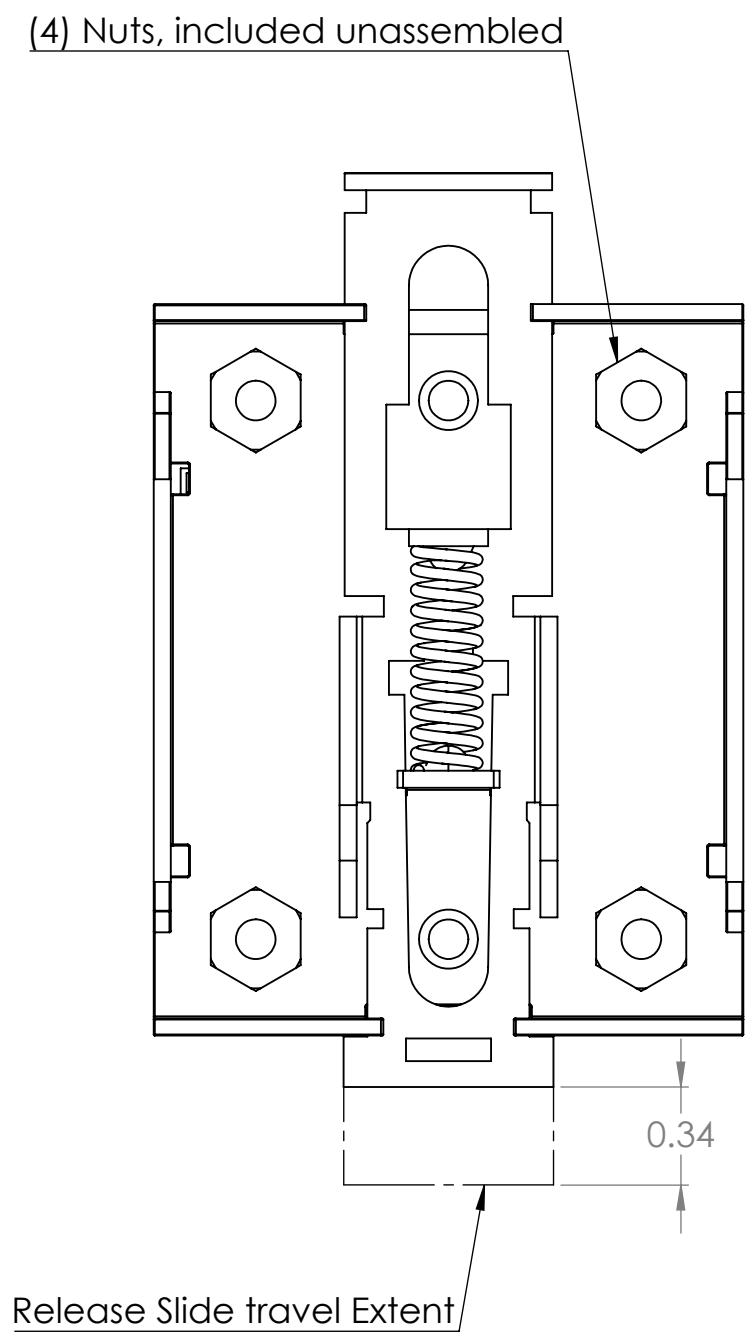
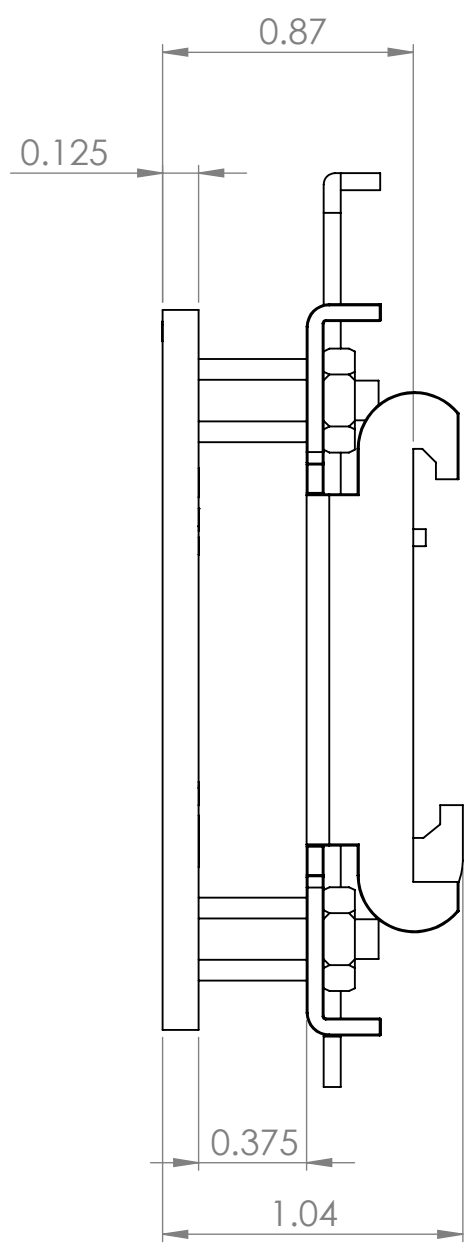
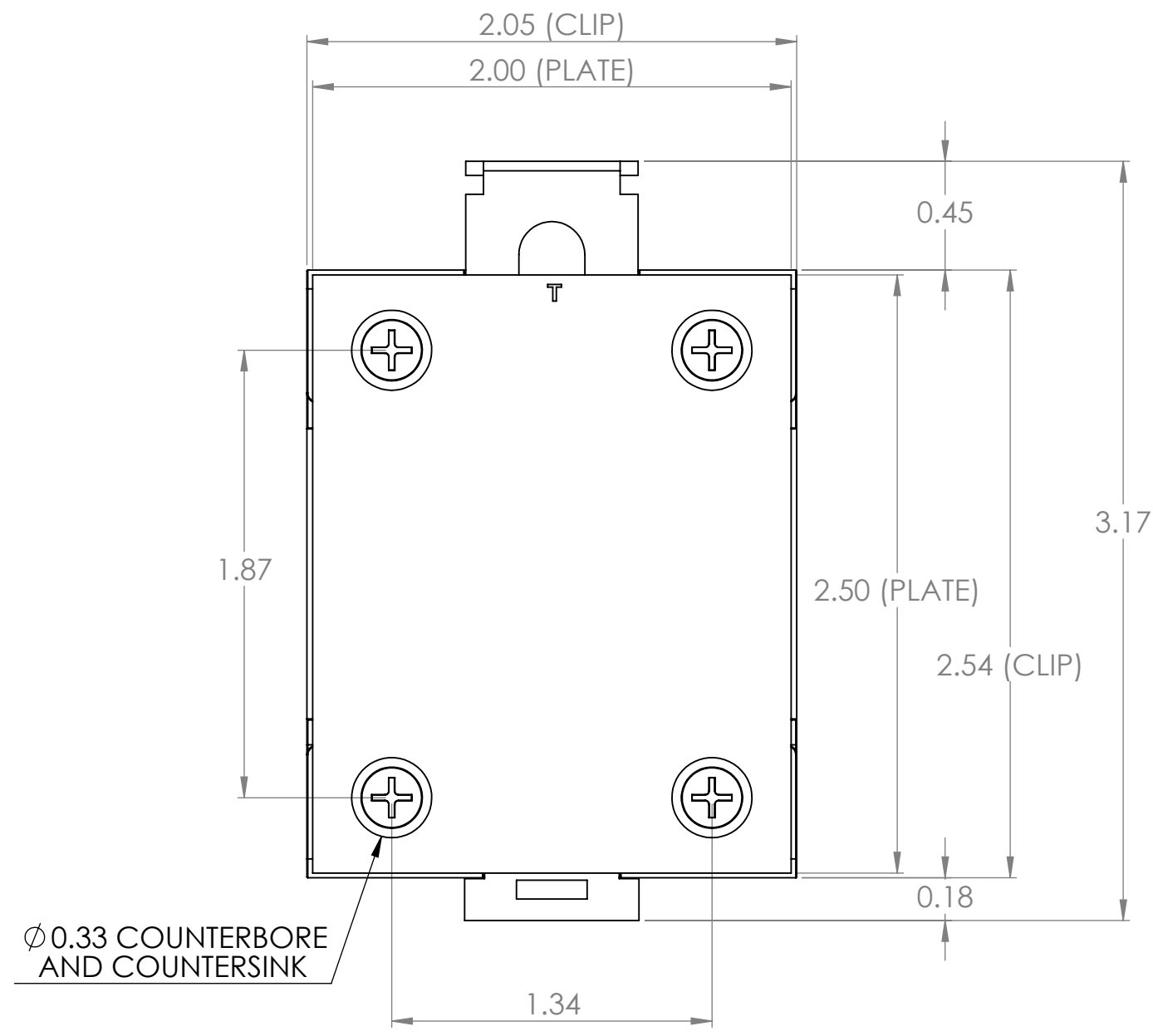
1


B

B

A

A



DIM: INCH	DATE: 06/09/2021	RoHS COMPLIANT: Yes	DESCRIPTION:
 WINFORD ENGINEERING, LLC 4561 GARFIELD ROAD AUBURN, MI 48611			DIN Rail Mounting Plate with Standoffs
www.winford.com		989-671-9721	PART NUMBER (S) DINP04-2025A
			PART REVISION A

4

3

2

1