

4

3

2

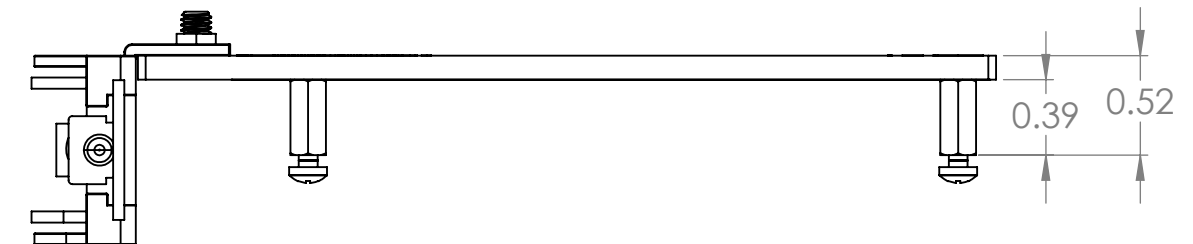
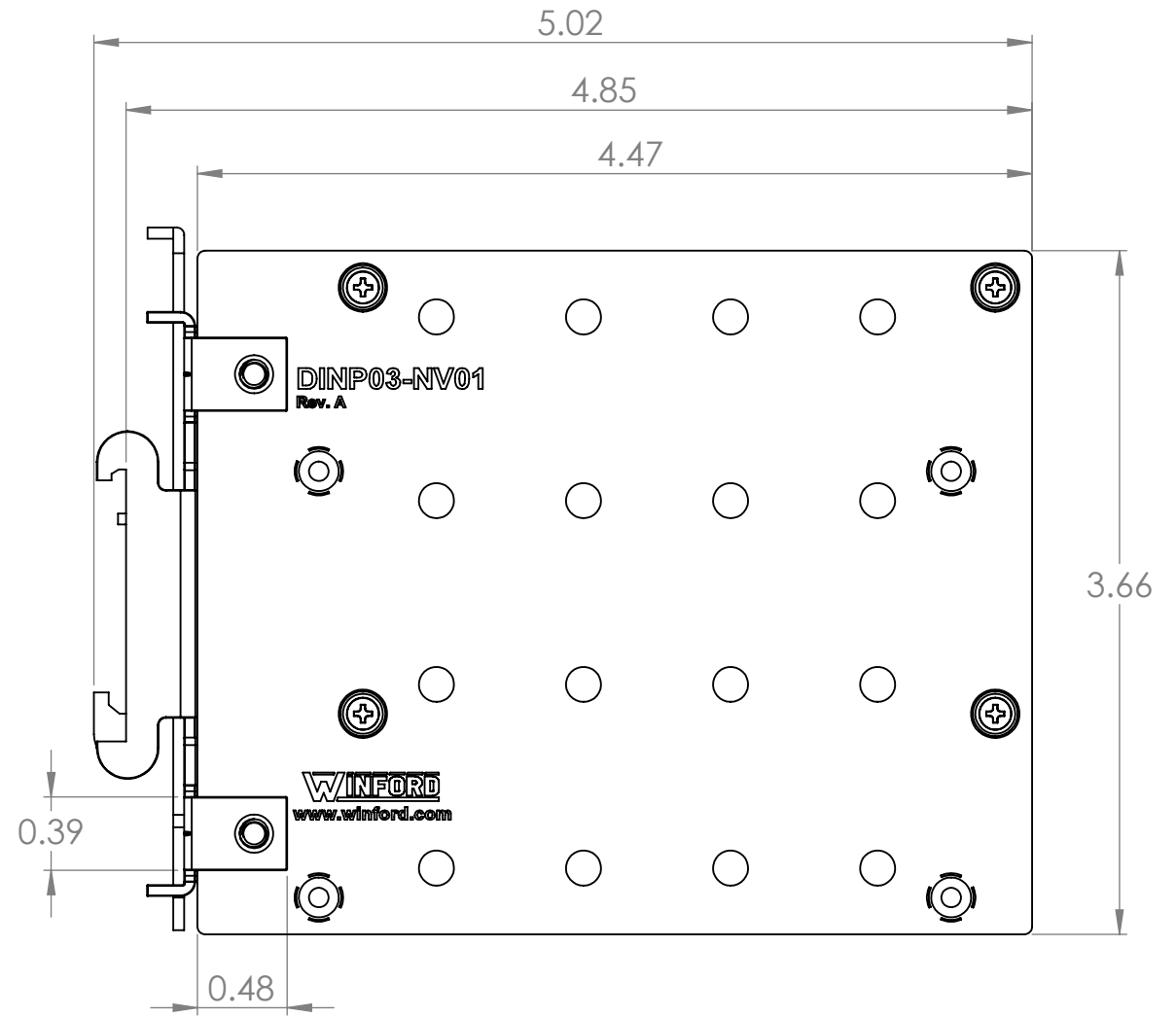
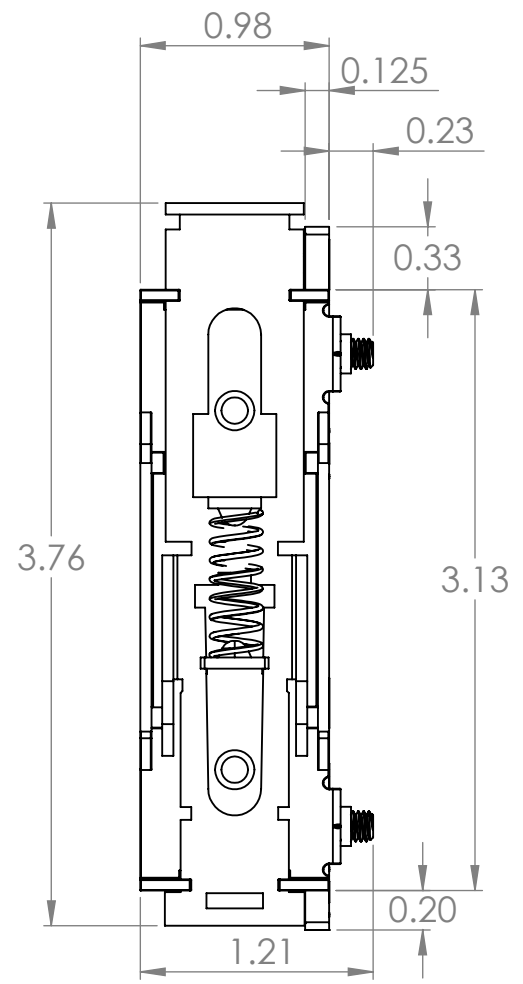
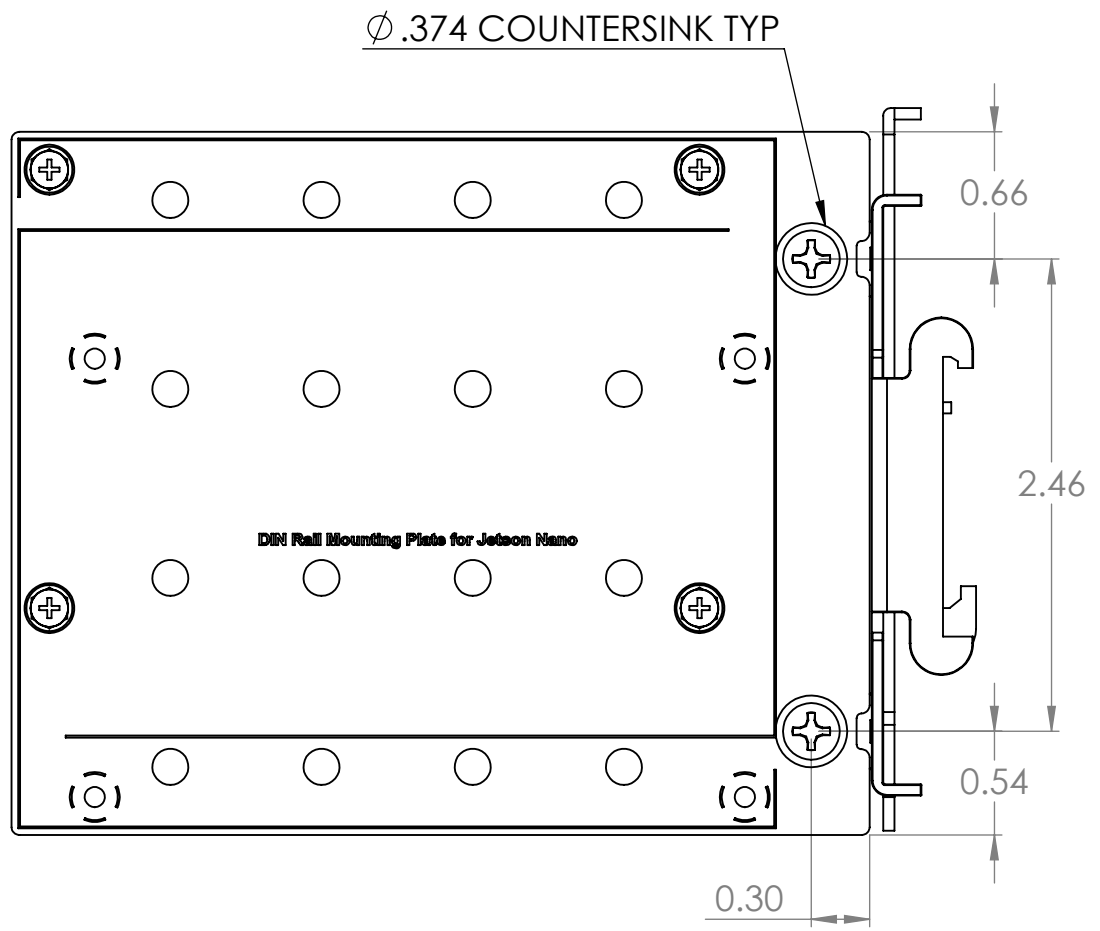
1

B

B


A

A



**Board Mounting Hardware, Included Unassembled
(Shown assembled on drawing)**

QTY	Part
4	M2.5 Nylon Standoffs, 10mm
4	M2.5 Nylon Flat-Head Screws, 6mm
4	M2.5 Nylon Pan-Head Screws, 6mm

DIM: INCH	DATE: 03/30/2023	RoHS COMPLIANT: Yes	DESCRIPTION: DIN Rail Mounting Plate for Jetson Nano Board
 WINFORD ENGINEERING, LLC 4561 GARFIELD ROAD AUBURN, MI 48611			PART NUMBER (S) DINP03-NV01
www.winford.com			PART REVISION A

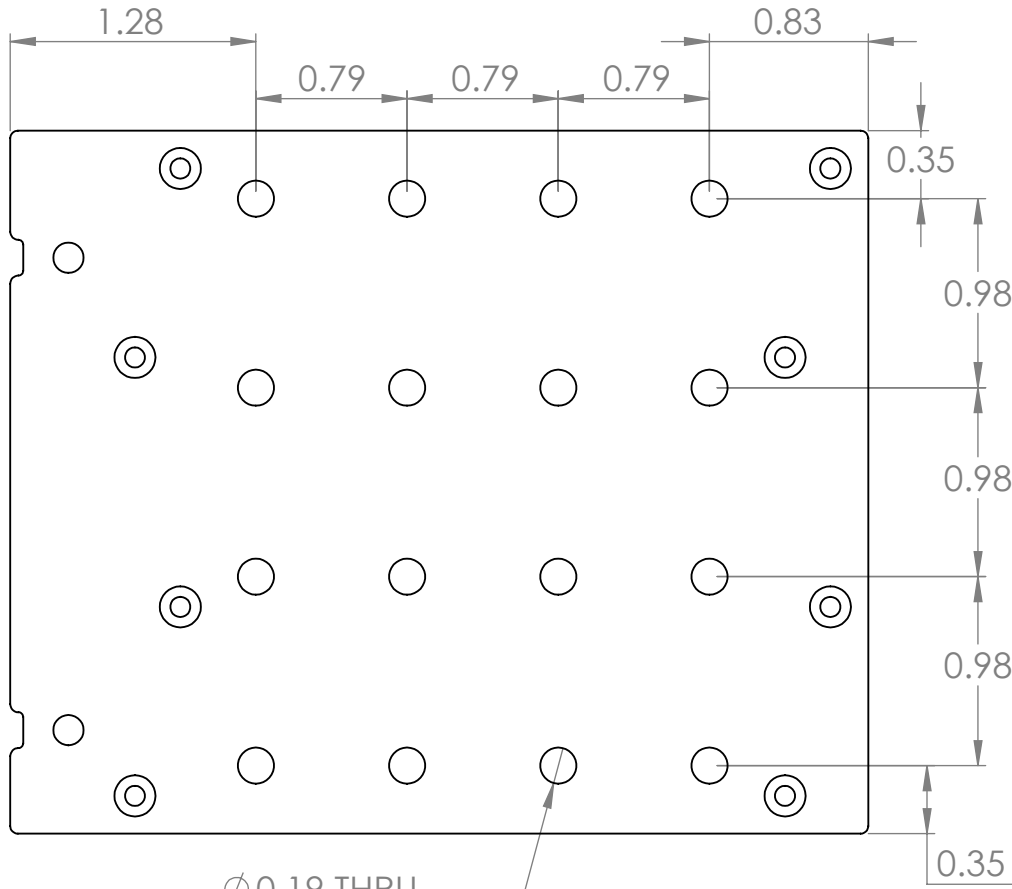
4

3

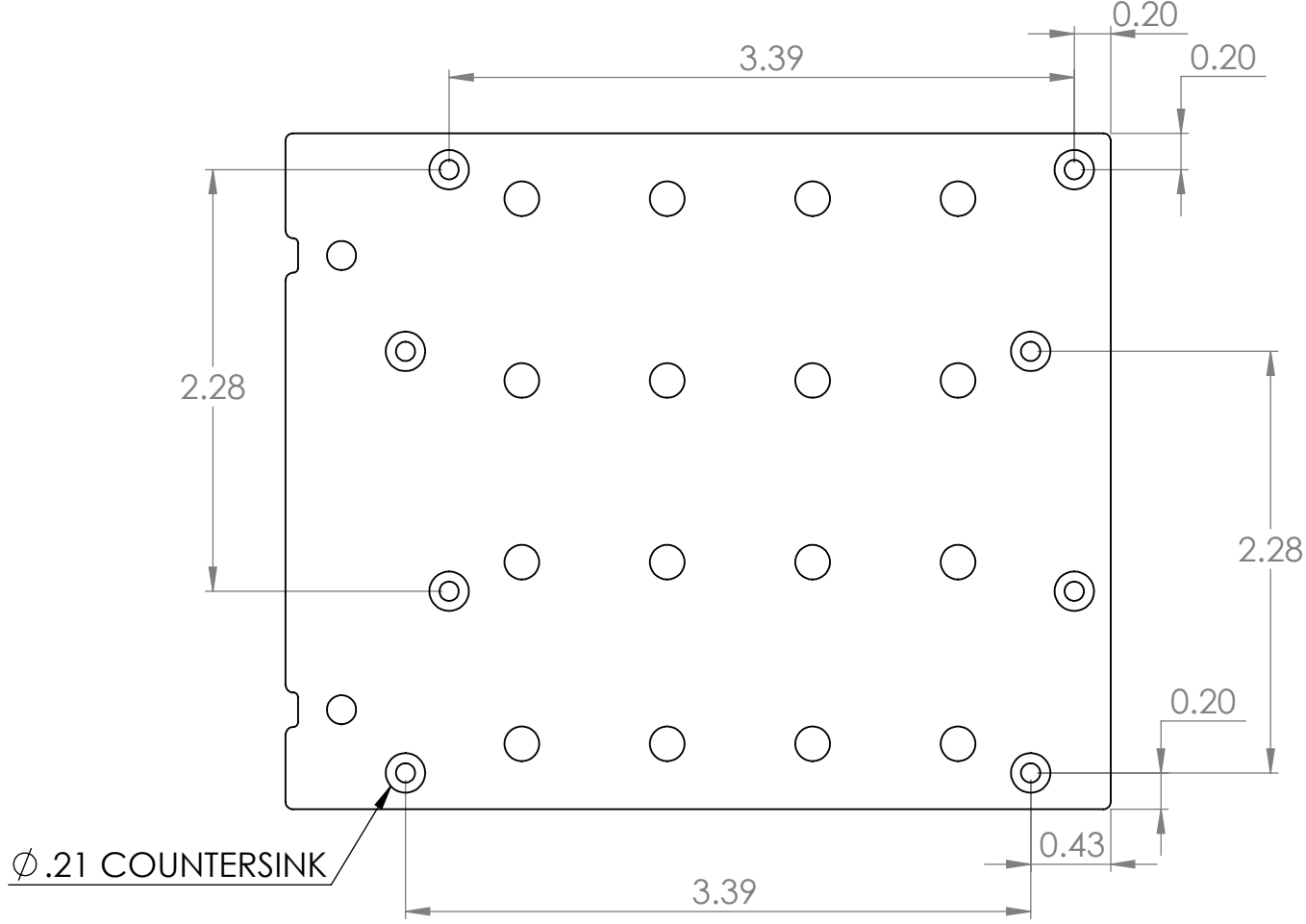
2

1


Hole Locations for Jetson Nano Board Mounting



Ø0.19 THRU
For Zip Tie Mounting
(16 PLCS)



Ø .21 COUNTERSINK

DIM: INCH	DATE: 03/30/2023	RoHS COMPLIANT: Yes	DESCRIPTION: DIN Rail Mounting Plate for Jetson Nano Board	
 WINFORD ENGINEERING, LLC 4561 GARFIELD ROAD AUBURN, MI 48611			PART NUMBER (S) DINP03-NV01	PART REVISION A
www.winford.com		989-671-9721		