

4

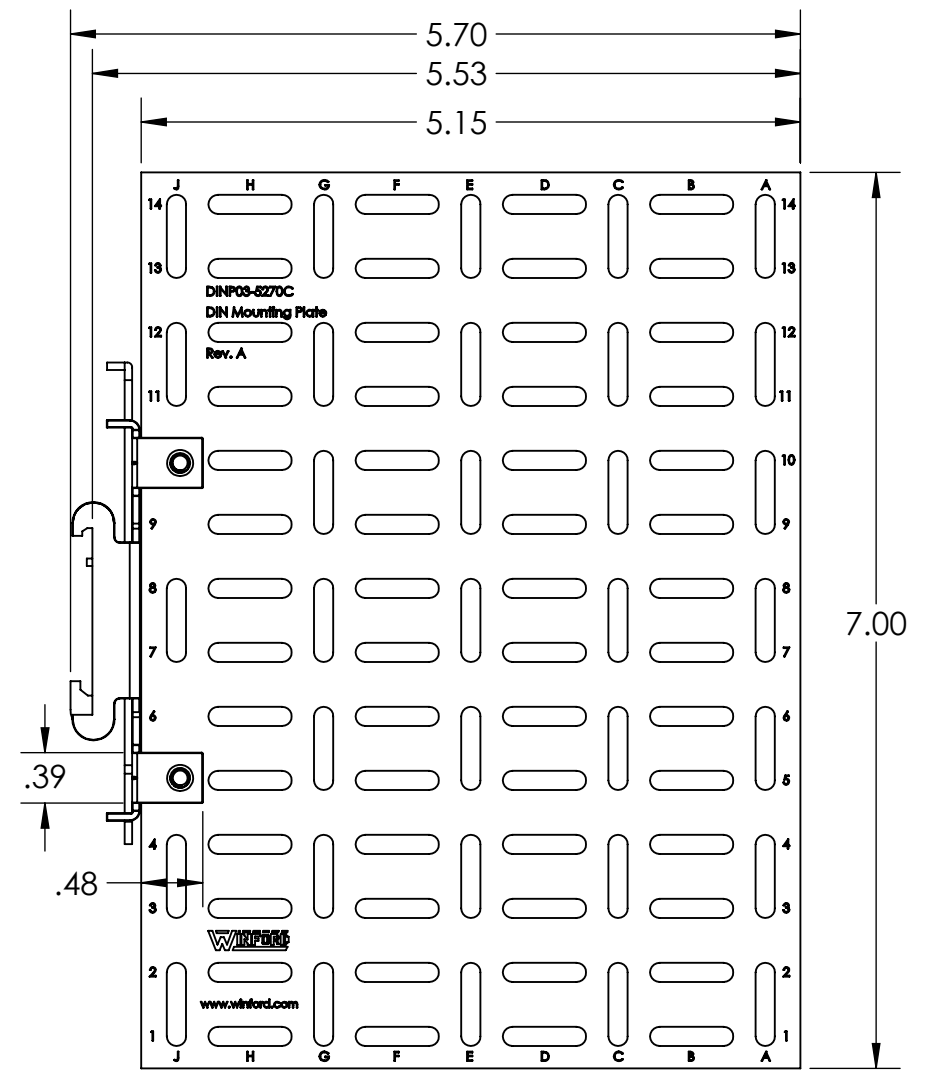
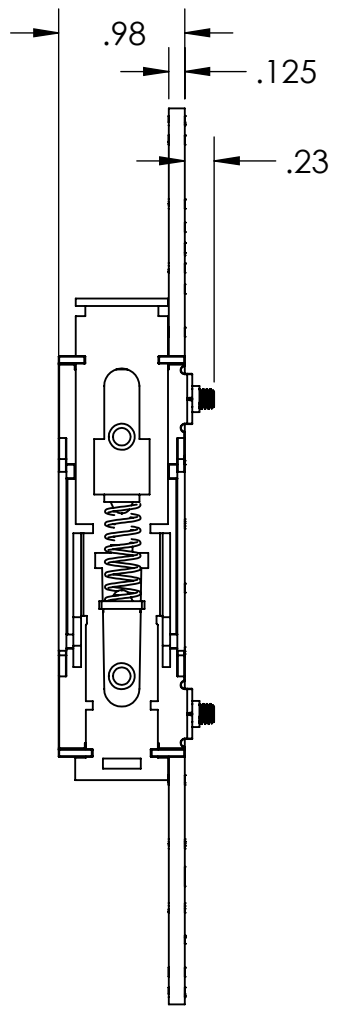
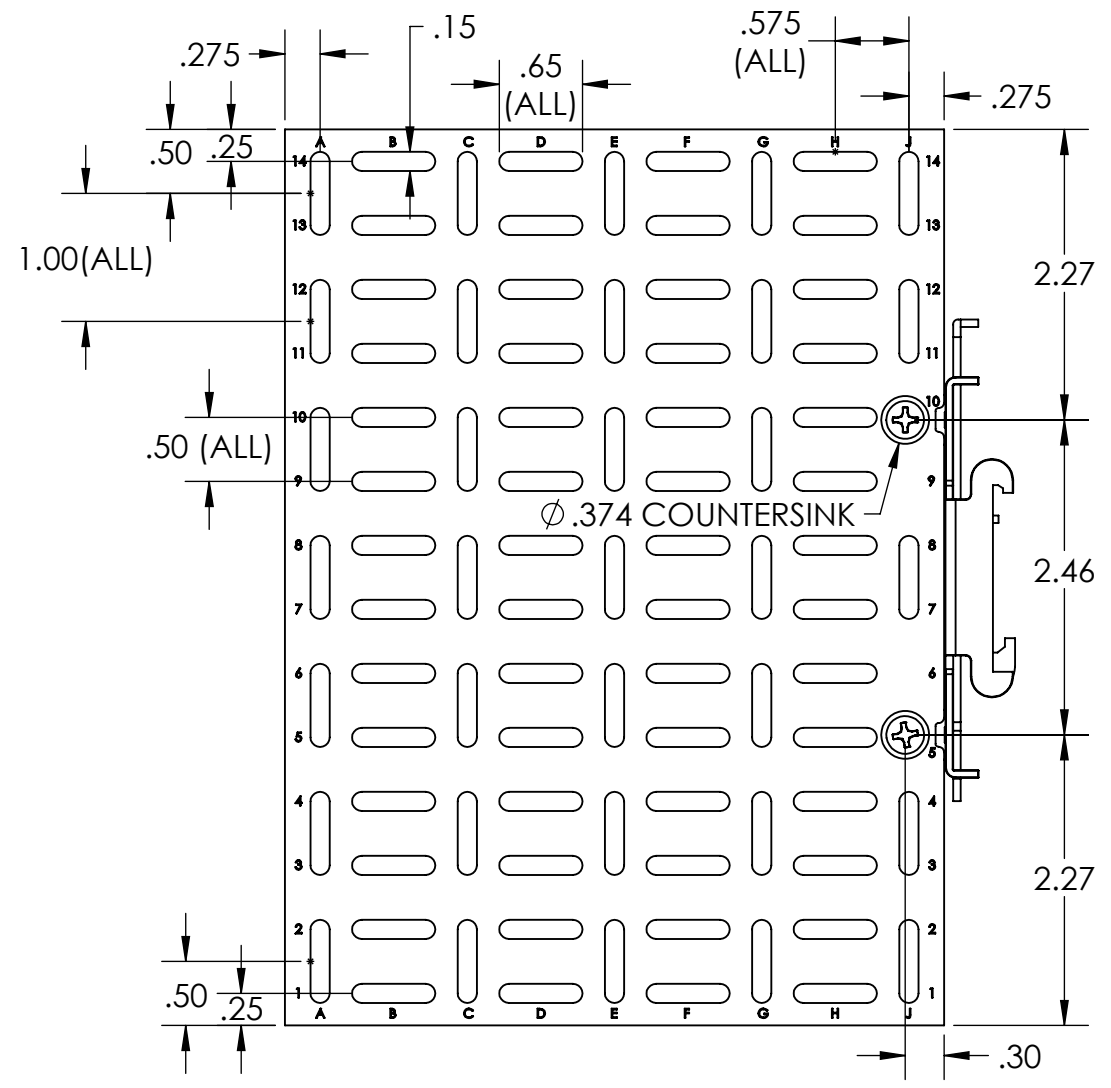
3

2

1

B

B



A

A

DIM: INCH	DATE: 05/03/2020	RoHS COMPLIANT: YES	DESCRIPTION:
 WINFORD ENGINEERING, LLC 4561 GARFIELD ROAD AUBURN, MI 48611			DIN Mounting Plate 5.15" X 7"
www.winford.com		989-671-9721	PART NUMBER (S)
			DINP03-5270C
			PART REVISION
			A

4

3

2

1