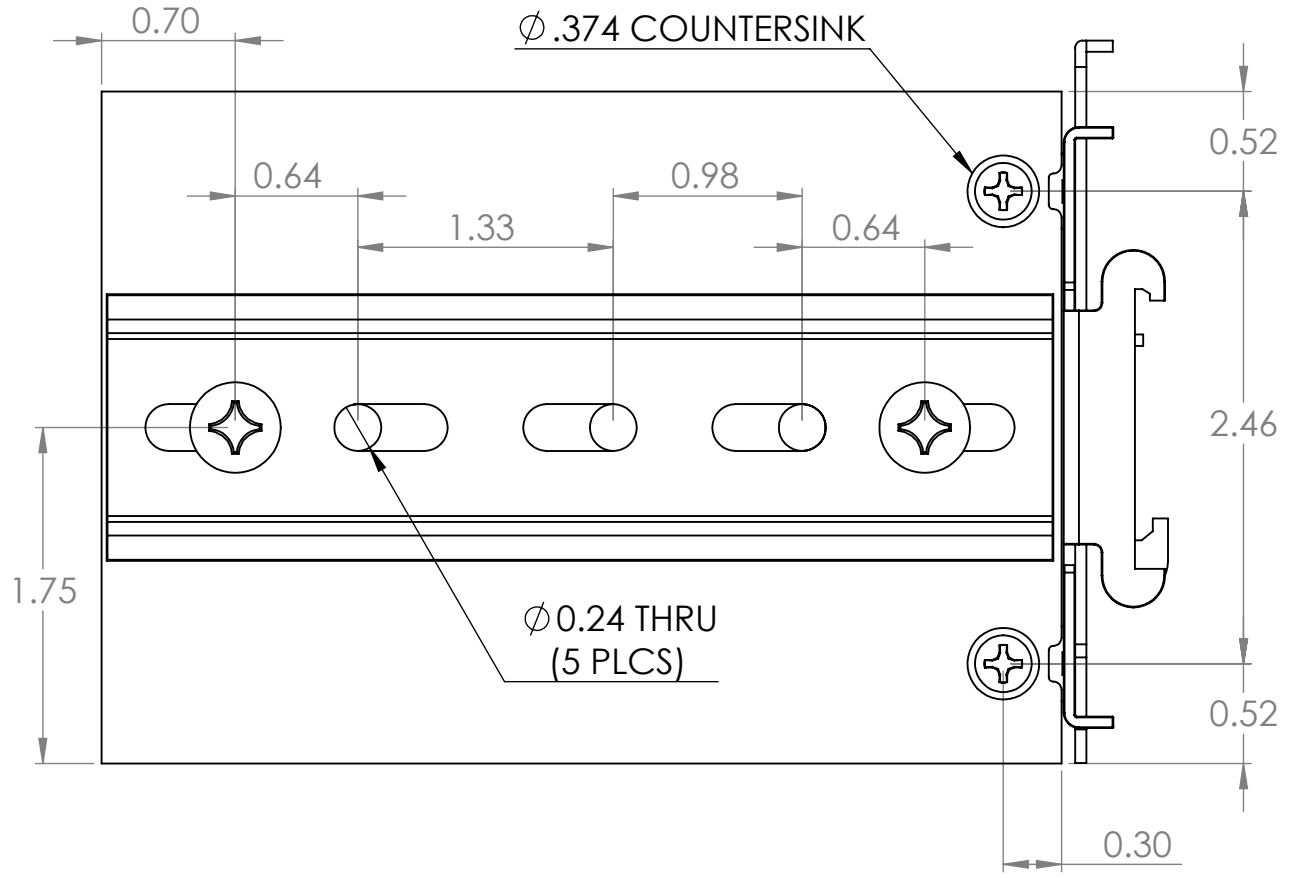
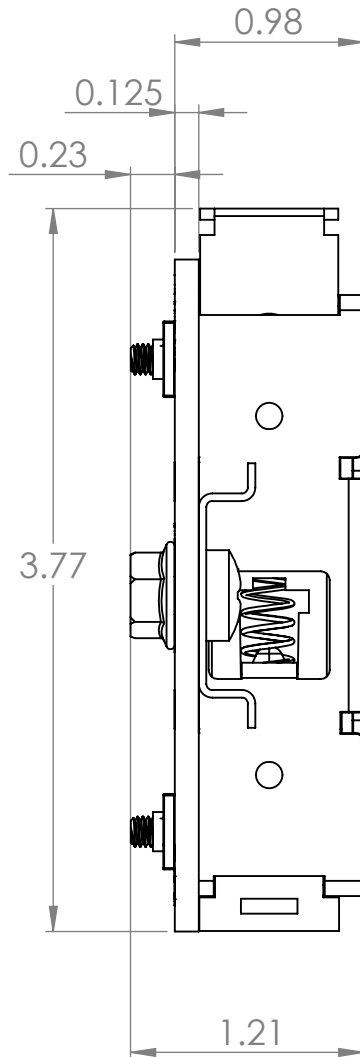
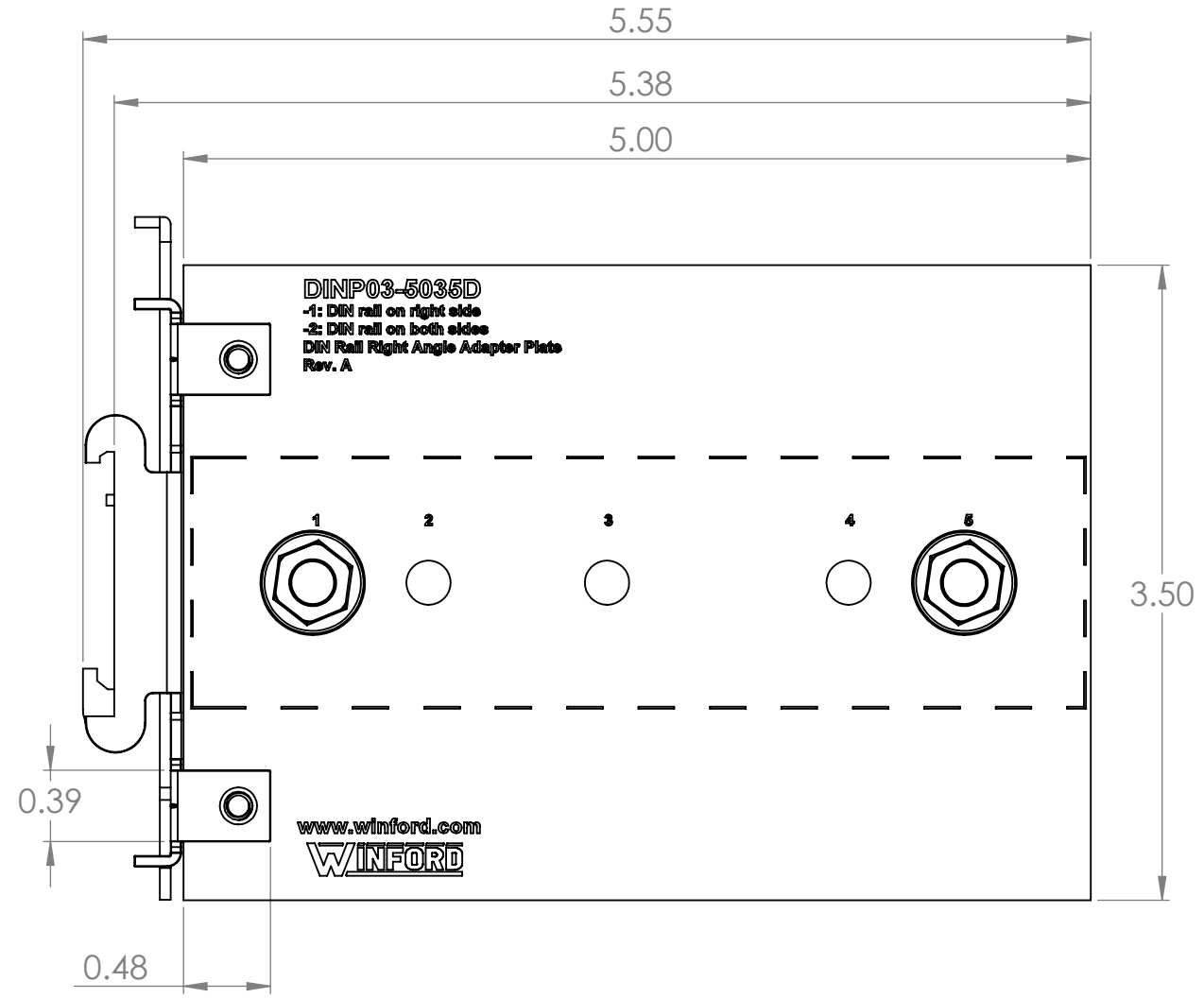


4

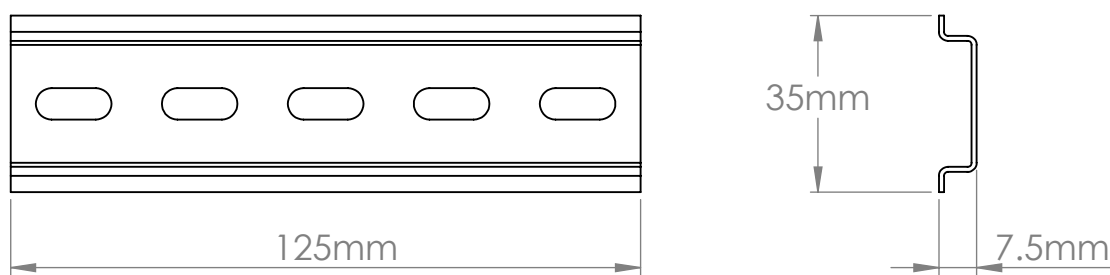
3


2

1



**DIN RAIL DETAILS (1 PC PRE-INSTALLED)**



DIM: INCH	DATE: 09/06/2023	RoHS COMPLIANT: Yes	DESCRIPTION:
 WINFORD ENGINEERING, LLC 4561 GARFIELD ROAD AUBURN, MI 48611			DIN Mounting Plate R/A
			PART NUMBER (S)
www.winford.com	989-671-9721	DINP03-5035D-1	A

4

3

2

1