

4

3

2

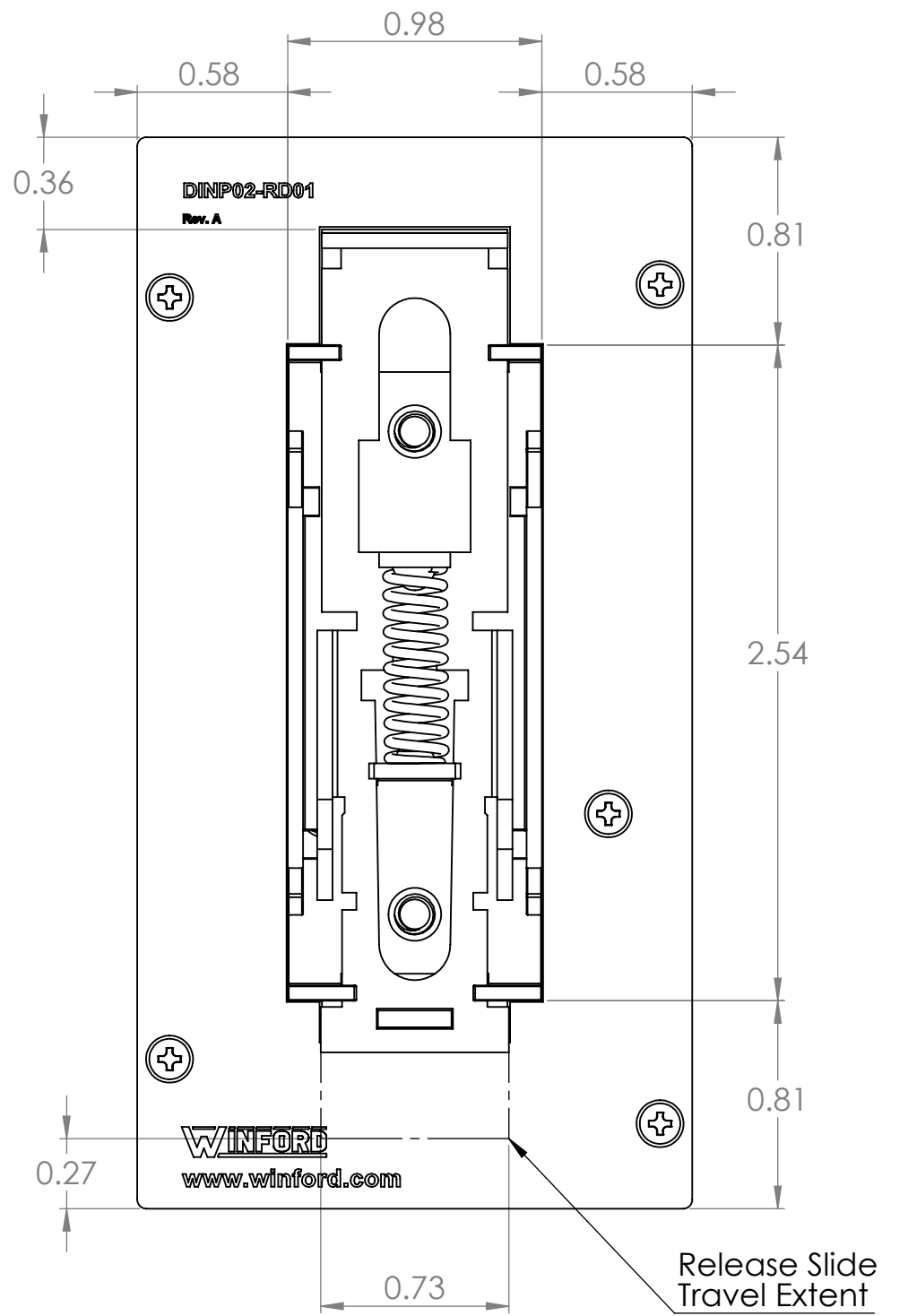
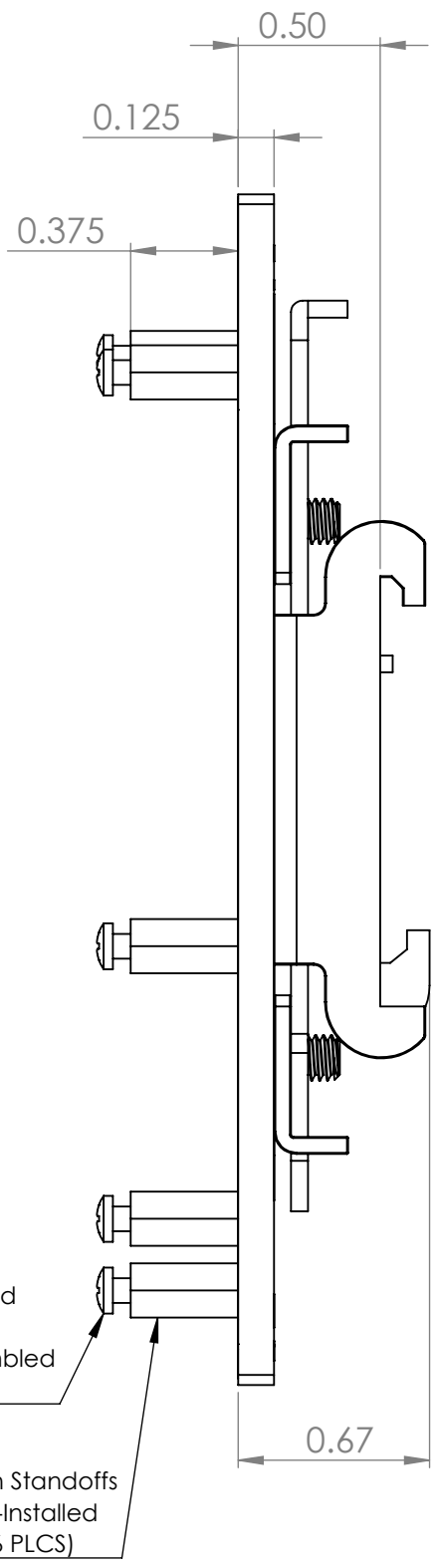
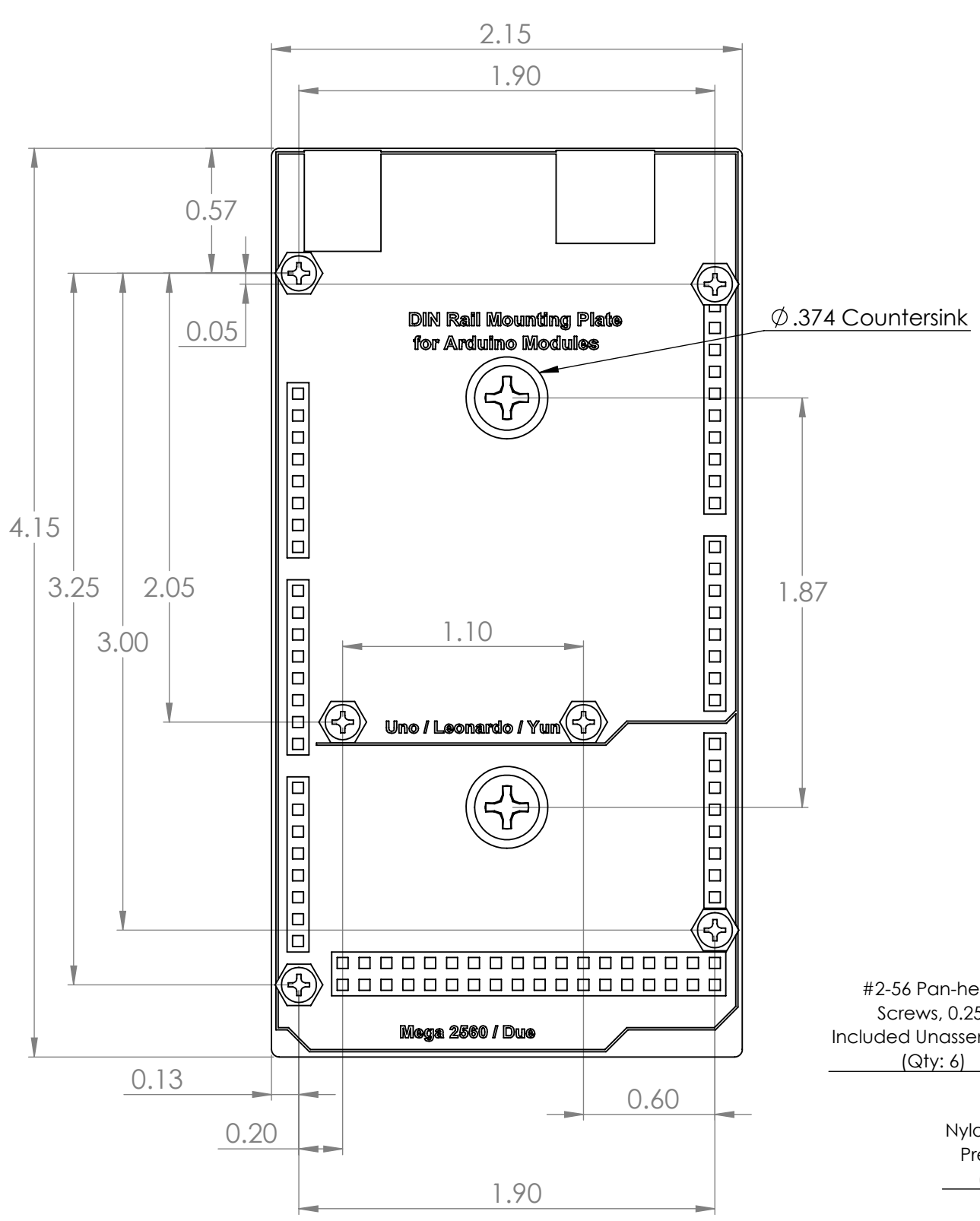
1


B

B

A

A



DIM: INCH	DATE: 03/20/2023	RoHS COMPLIANT: Yes	DESCRIPTION:
 WINFORD ENGINEERING, LLC 4561 GARFIELD ROAD AUBURN, MI 48611			DIN Rail Mounting Plate for Arduino Devices
www.winford.com		989-671-9721	PART NUMBER (S)
			DINP02-RD01
			PART REVISION
			A

4

3

2

1