

4

3

2

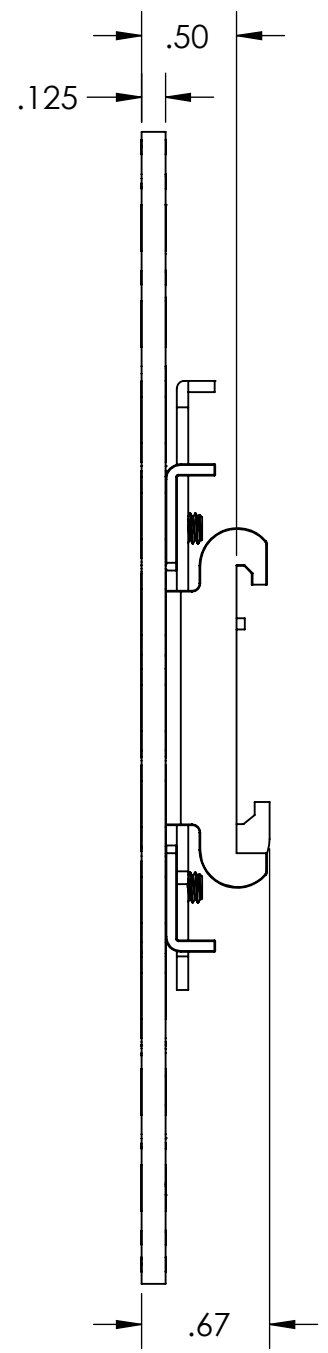
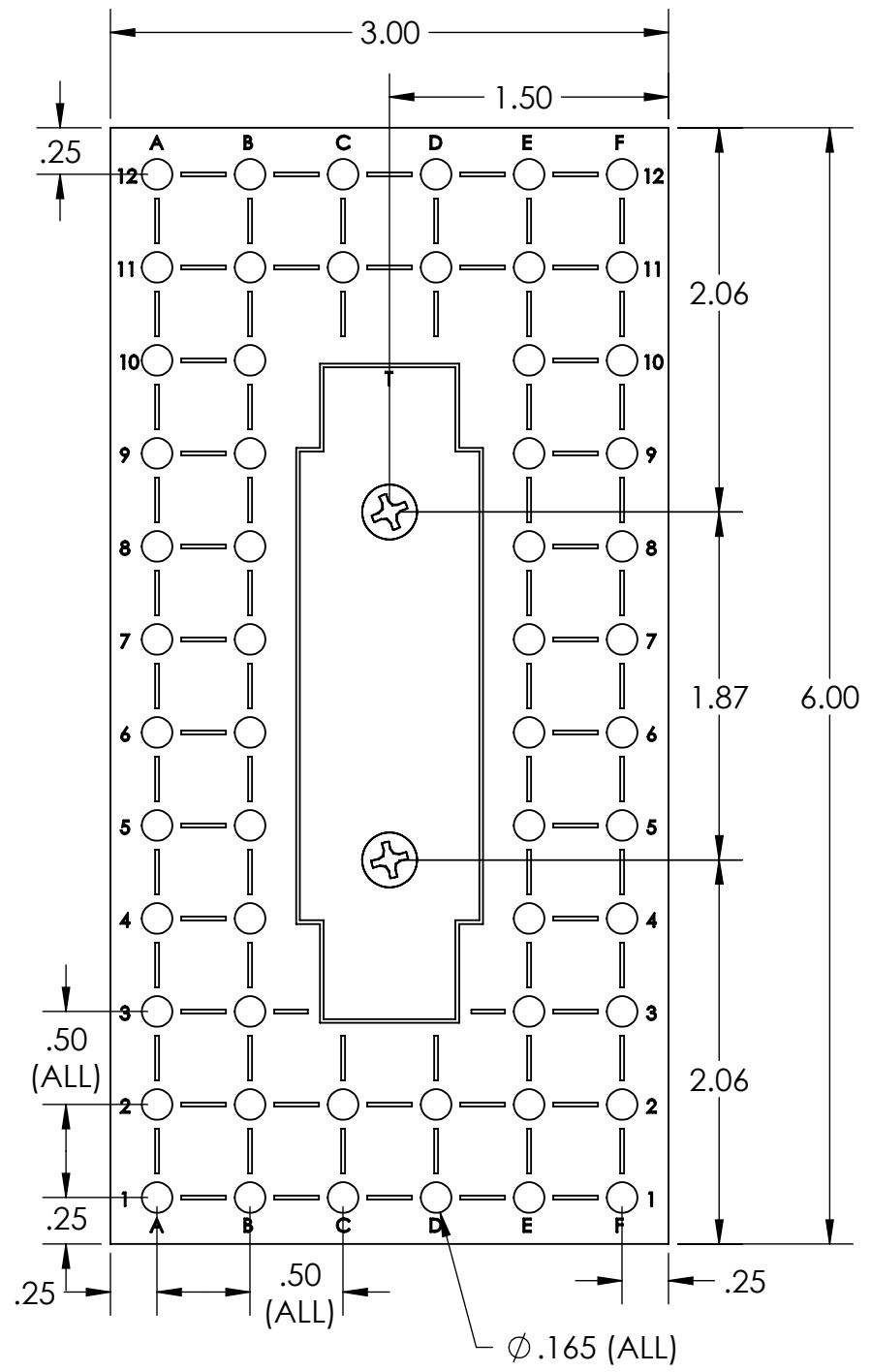
1

B

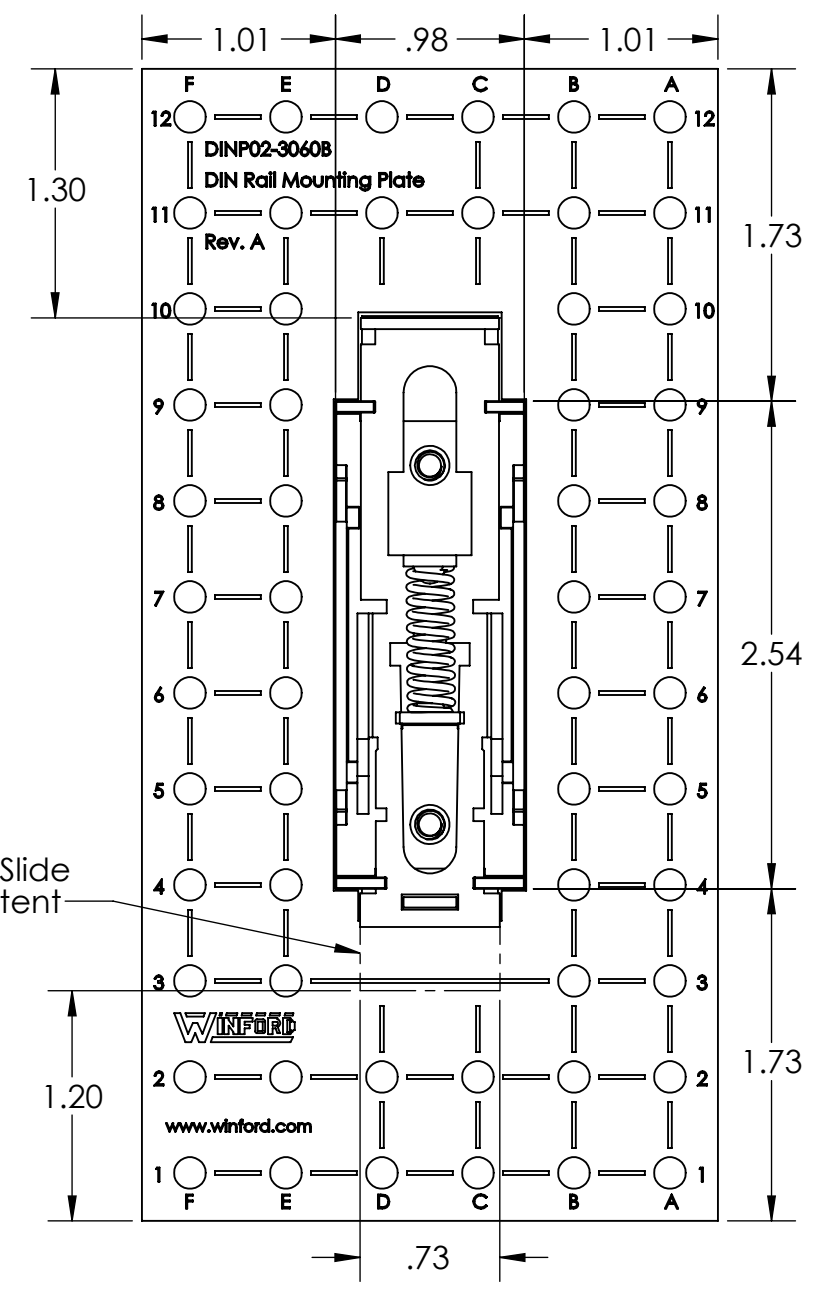
B

A

A



Release Slide Travel Extent



DIM: INCH	DATE: 04/26/2020	RoHS COMPLIANT: YES	DESCRIPTION:
 WINFORD ENGINEERING, LLC 4561 GARFIELD ROAD AUBURN, MI 48611			DIN Mounting Plate 3" X 6"
www.winford.com		989-671-9721	PART NUMBER (S)
			DINP02-3060B
			PART REVISION
			A

4

3

2

1