

4

3

2

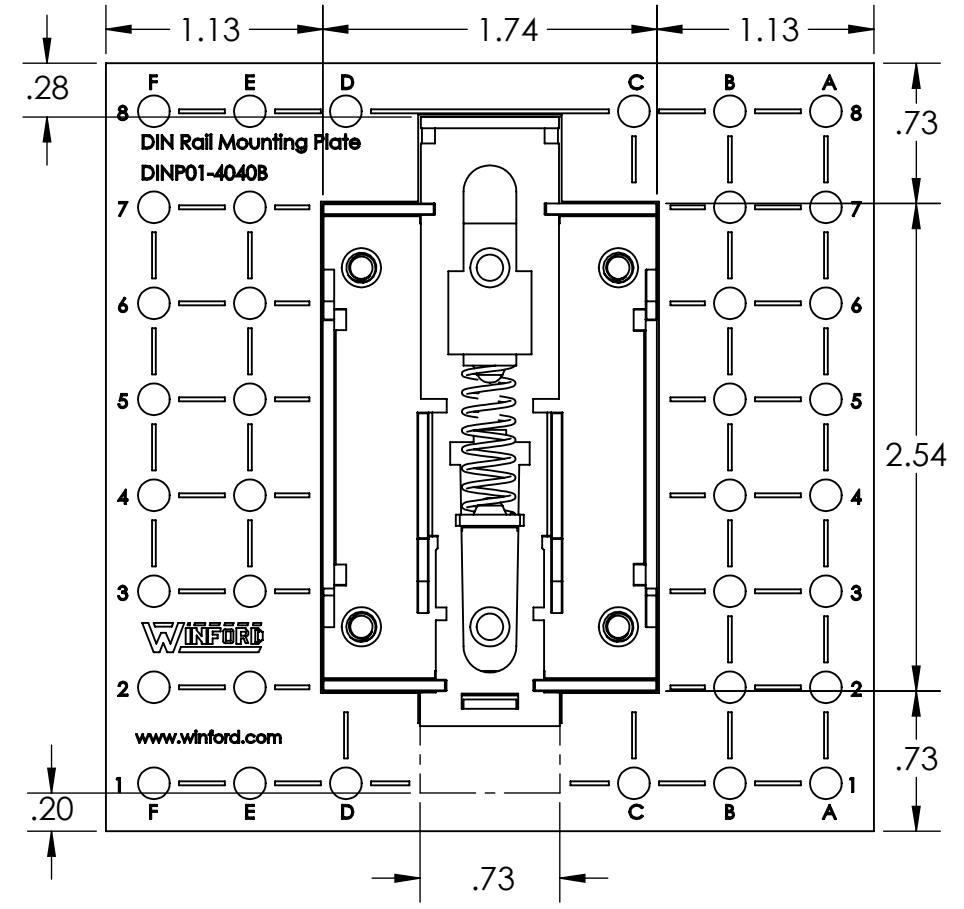
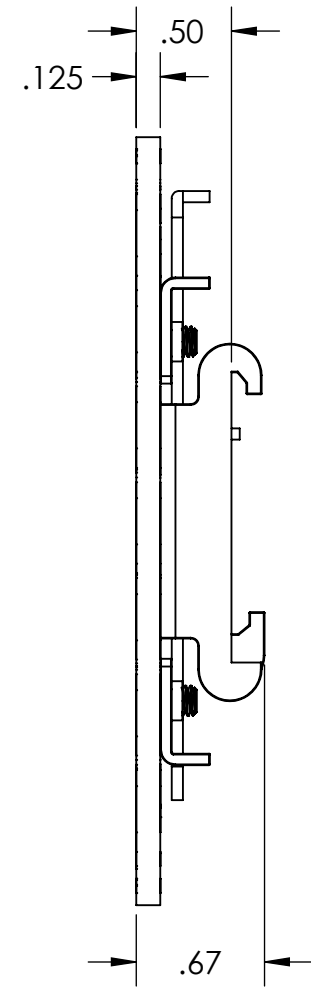
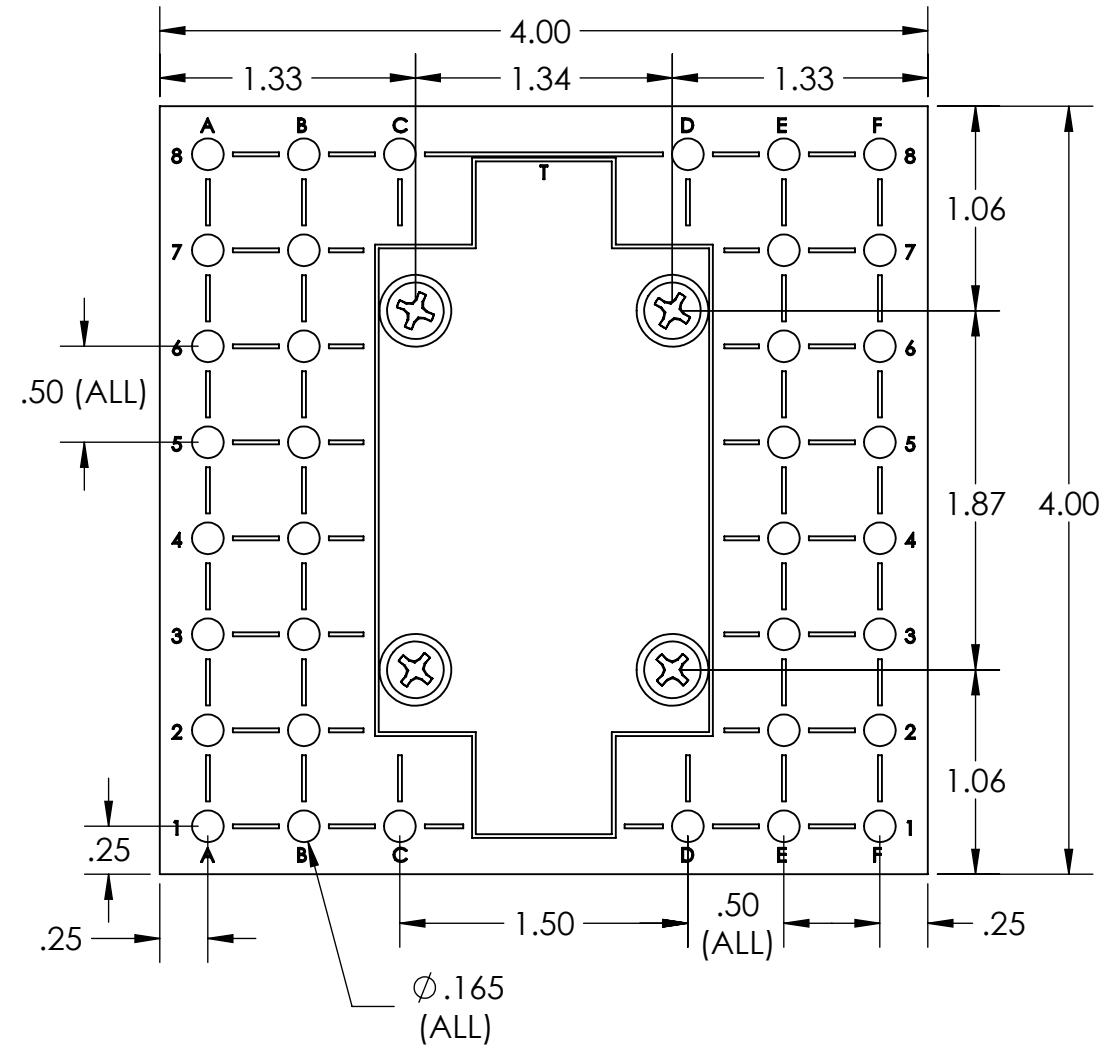
1

B

B

A

A



DIM: INCH	DATE: 03/15/2020	RoHS COMPLIANT: YES	DESCRIPTION:
 WINFORD ENGINEERING, LLC 4561 GARFIELD ROAD AUBURN, MI 48611			DIN Mounting Plate 4" X 4"
www.winford.com		989-671-9721	PART NUMBER (S)
			DINP01-4040B
			PART REVISION
			A

4

3

2

1