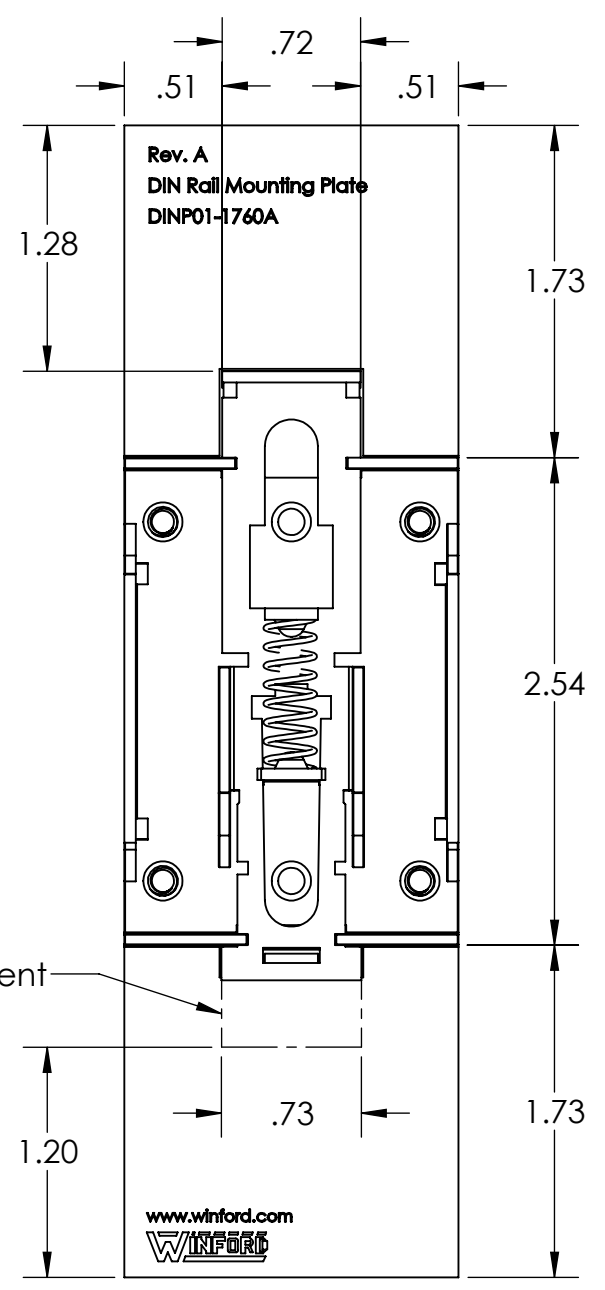
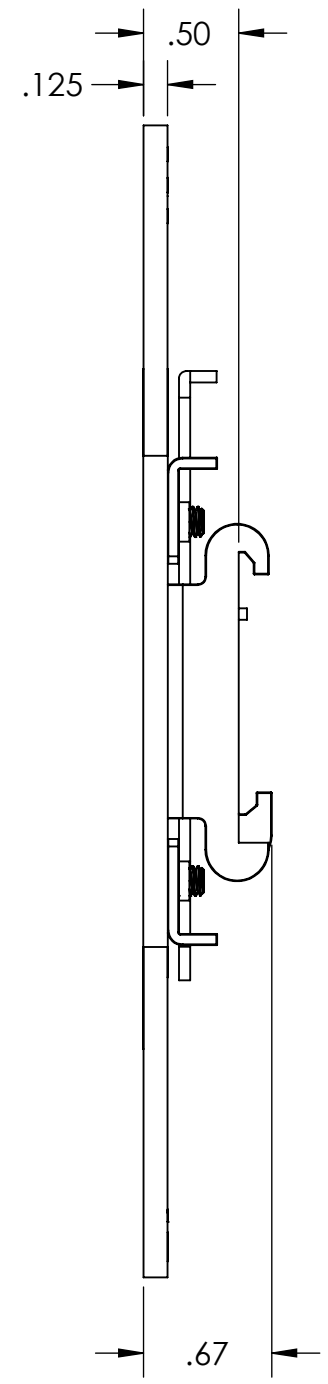
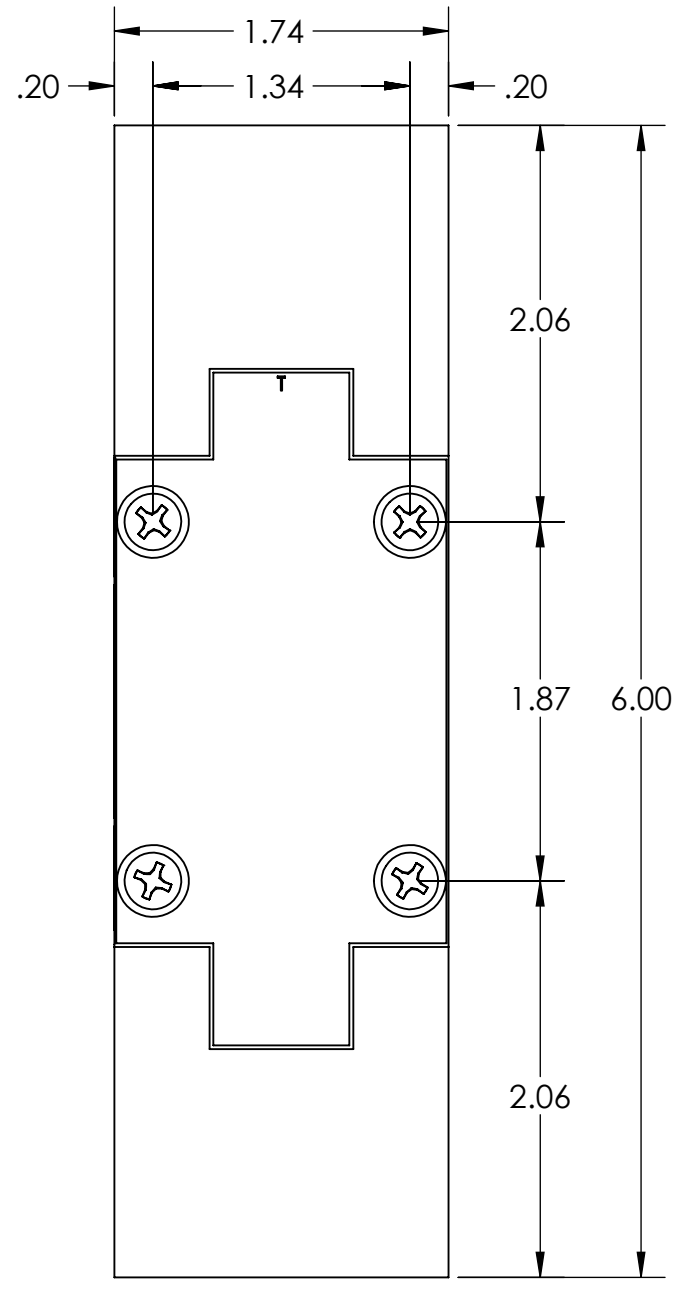


4

3

2

1



Release Side Travel Extent

B

B

A

A

DIM: INCH	DATE: 02/26/2020	RoHS COMPLIANT: YES	DESCRIPTION:
 WINFORD ENGINEERING, LLC 4561 GARFIELD ROAD AUBURN, MI 48611			DIN Mounting Plate 1.74" X 6"
www.winford.com		989-671-9721	PART NUMBER (S) DINP01-1760A
			PART REVISION A

4

3

2

1