

4

3

2

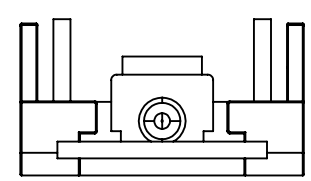
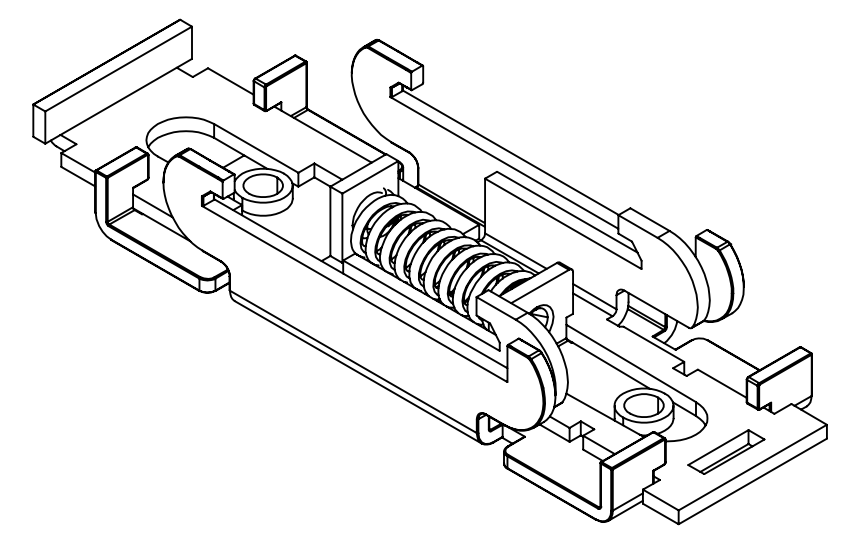
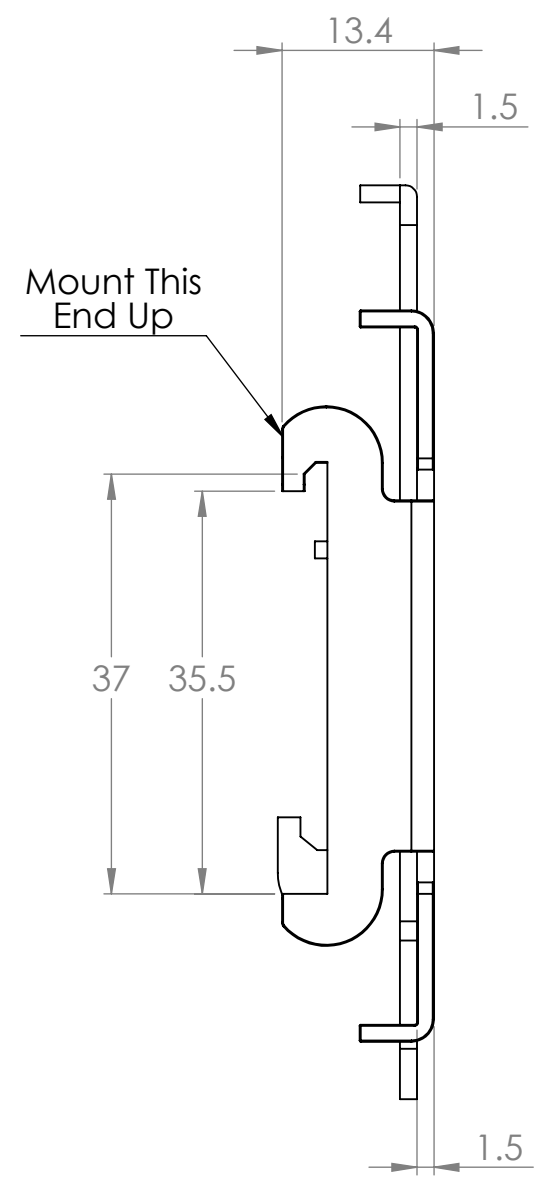
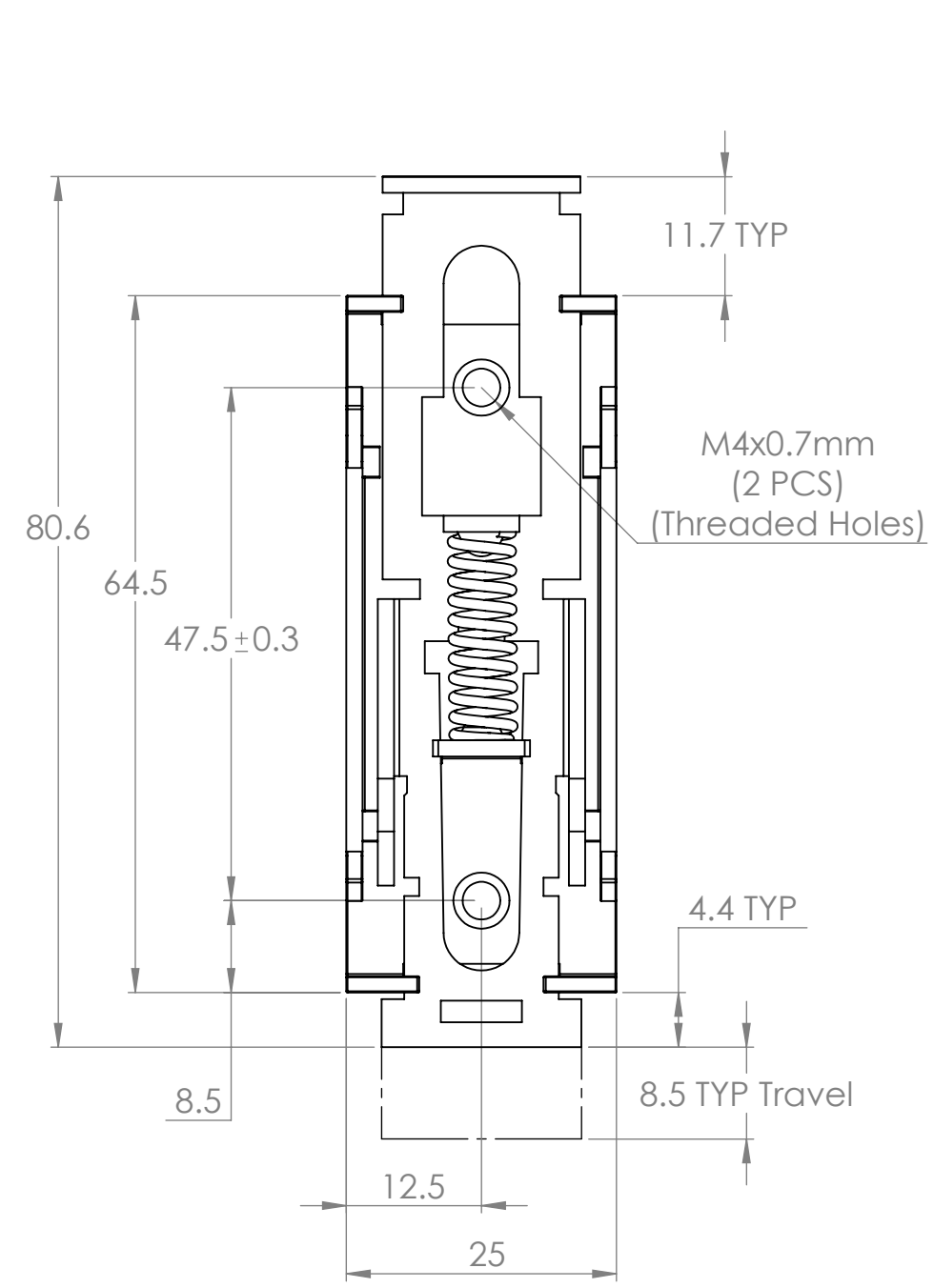
1

B


B

A

A



**Material: Steel, Nickel Plated**

DIM: MM	DATE: 07/19/2022	RoHS COMPLIANT: Yes	DESCRIPTION:	
 WINFORD ENGINEERING, LLC 4561 GARFIELD ROAD AUBURN, MI 48611			Steel DIN Rail Mounting Clip, 25mm Width, Threaded Holes	
			PART NUMBER (S)	PART REVISION
www.winford.com			DINM23	A

4

3

2

1