

4

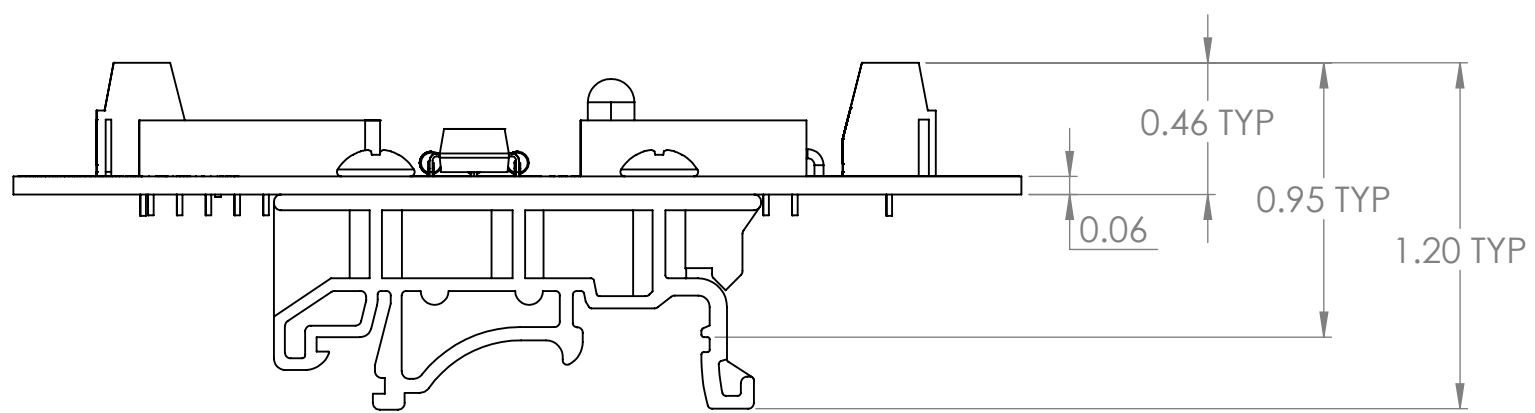
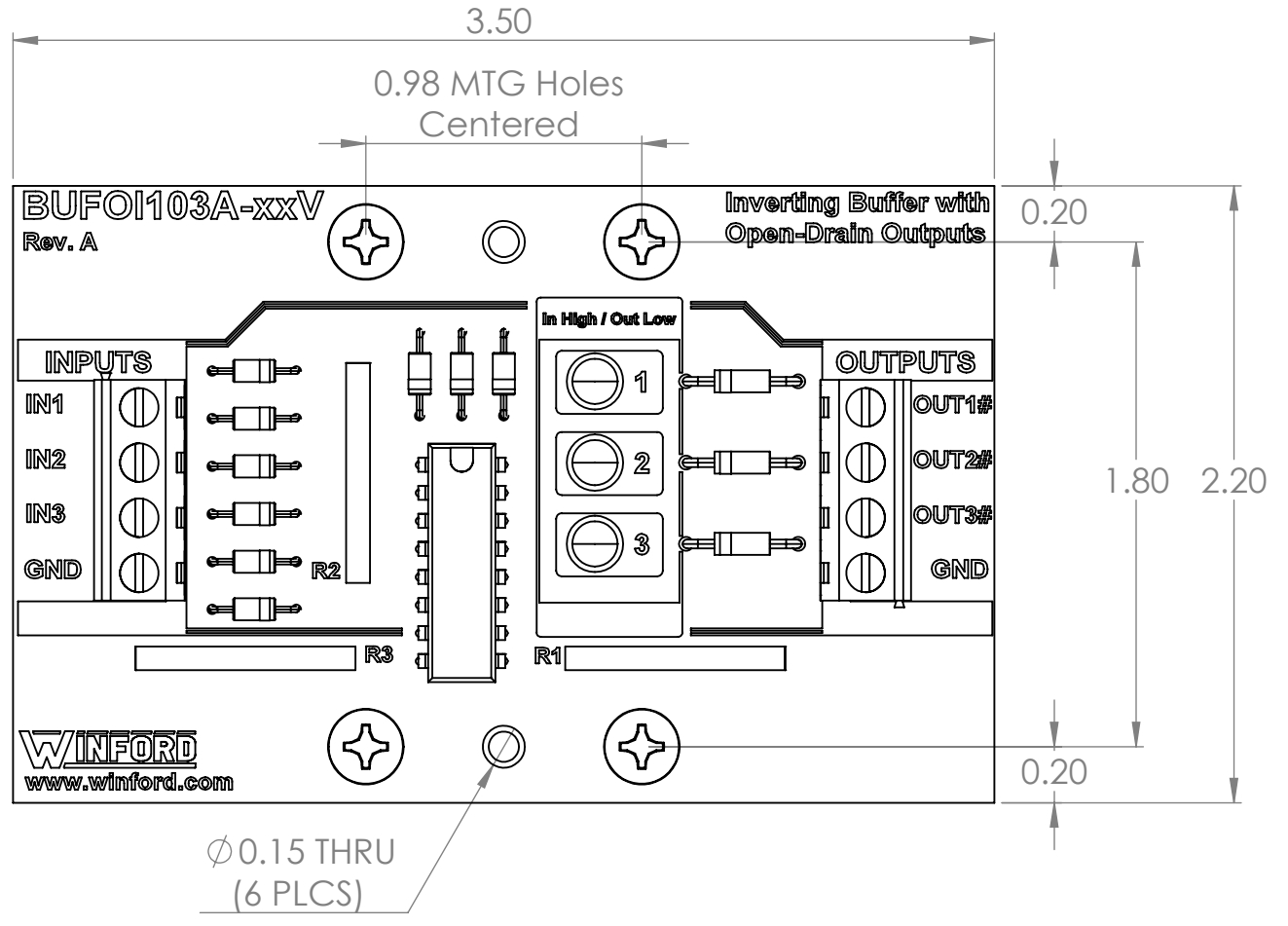
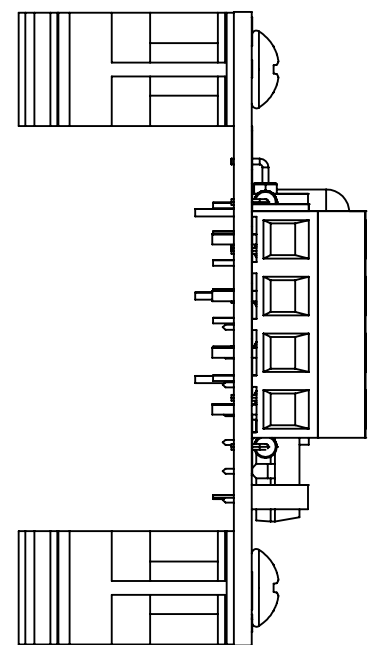
3

2

1

B

B



A


A

4

3

2

1

DIM: INCH	DATE: 08/01/2022	RoHS COMPLIANT: Yes	DESCRIPTION: Buffer, Inverting, Open-Drain Outputs, 3 Channels	
		WINFORD ENGINEERING, LLC 4561 GARFIELD ROAD AUBURN, MI 48611	PART NUMBER (S) BUFOI103A-xxV-DIN	PART REVISION A
www.winford.com		989-671-9721		