

4

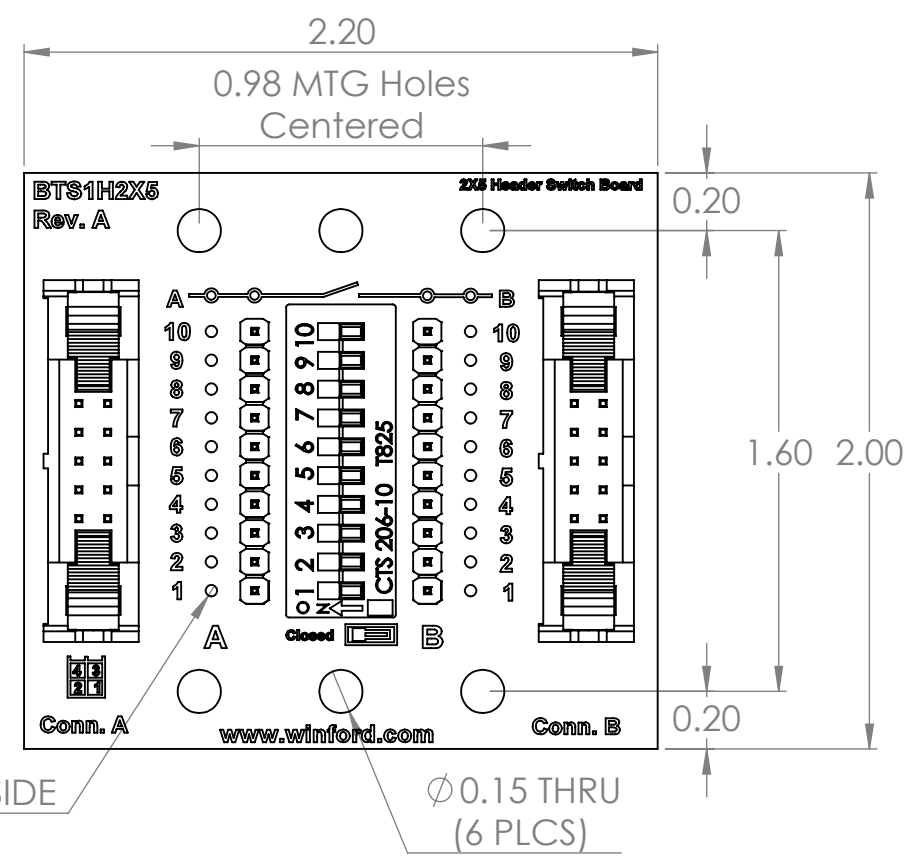
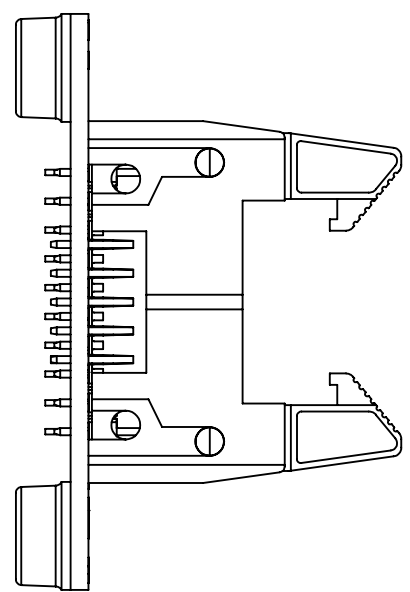
3

2

1

B

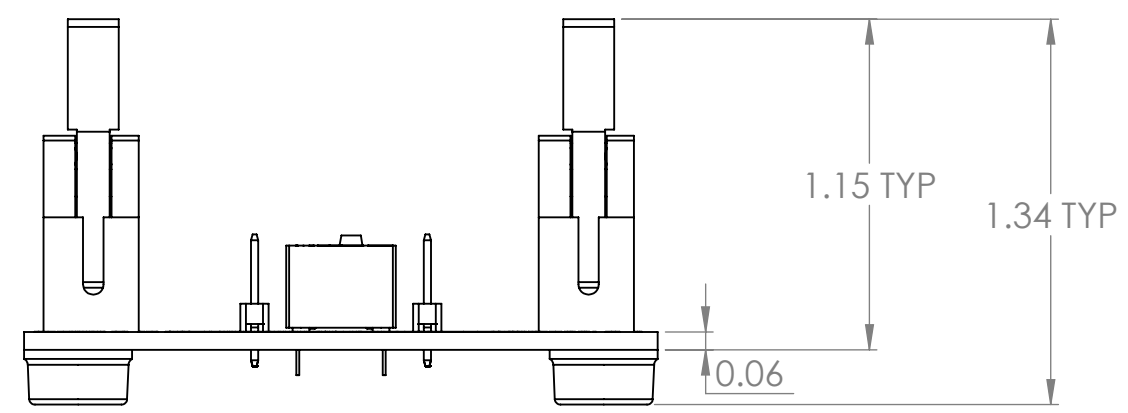
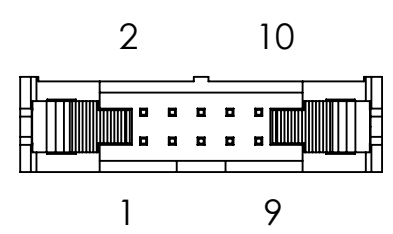
B



Ø 0.04 INSIDE


Ø 0.15 THRU (6 PLCS)

Connector Pinout



A

A

DIM: INCH	DATE: 01/06/2022	RoHS COMPLIANT: Yes	DESCRIPTION:
 WINFORD ENGINEERING, LLC 4561 GARFIELD ROAD AUBURN, MI 48611			2x5 0.1" Header Diagnostic Breakout Board
www.winford.com		989-671-9721	PART NUMBER (S)
			BTS1H2X5-FT
			PART REVISION
			A

4

3

2

1