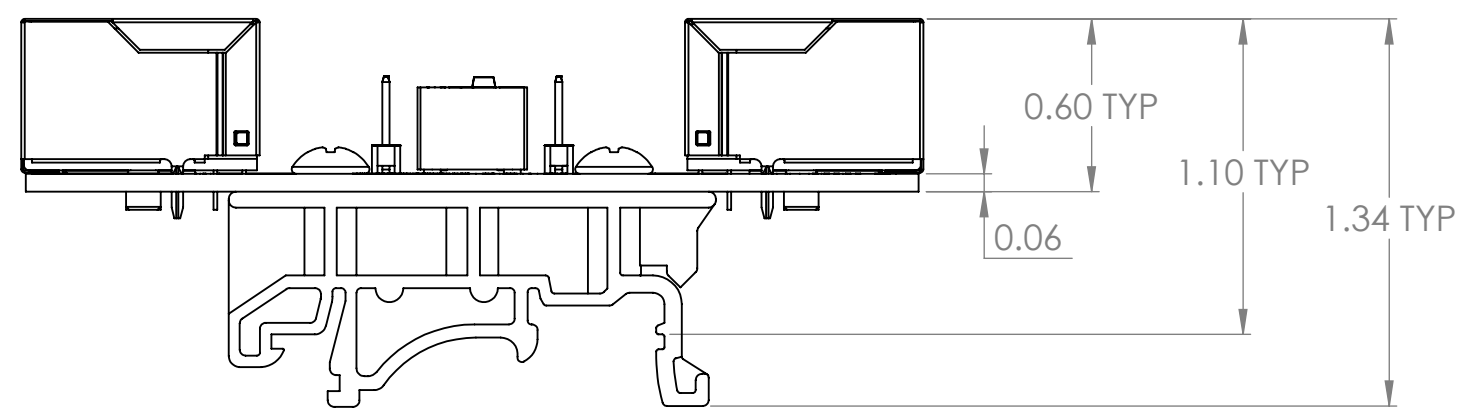
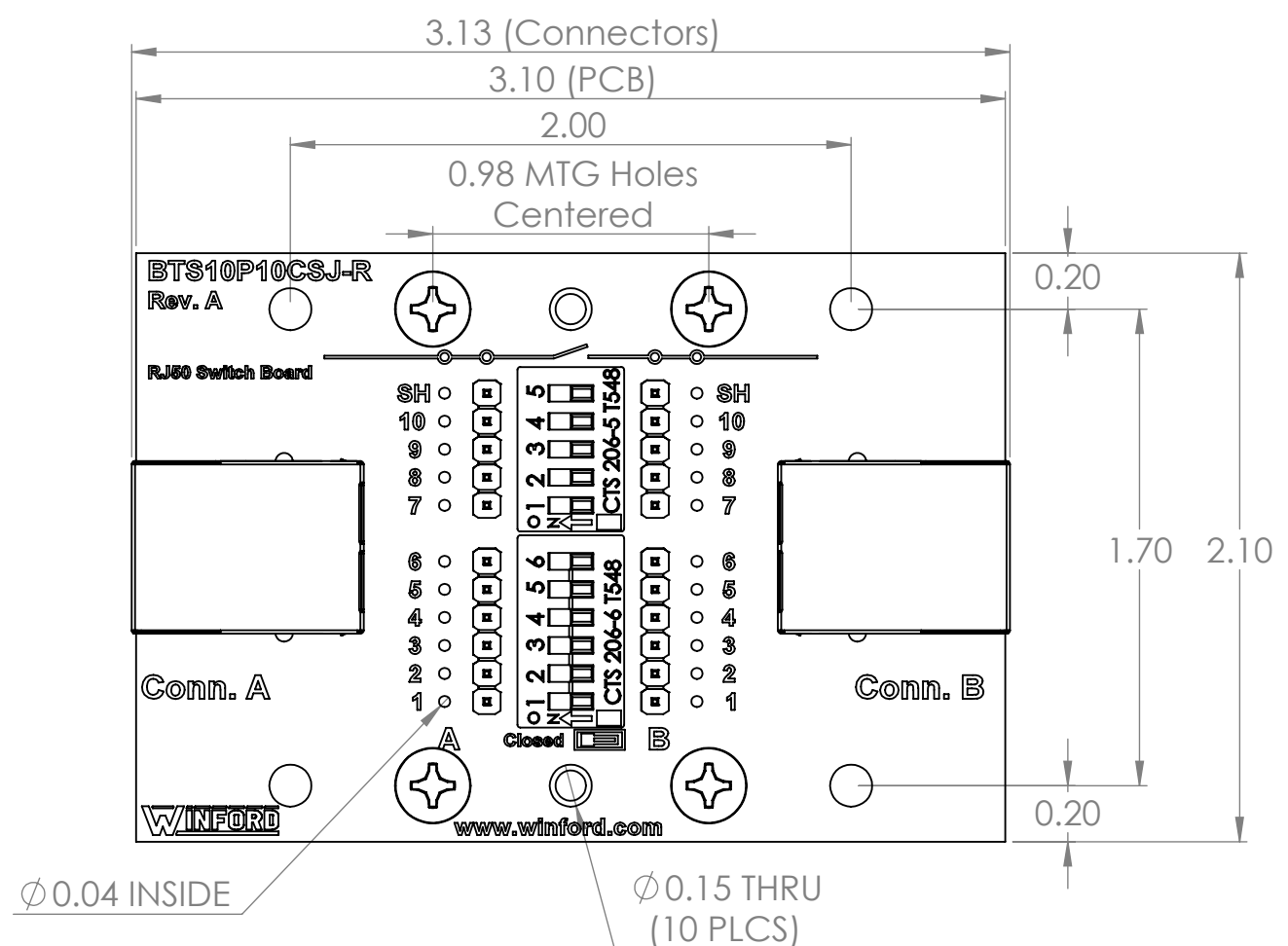
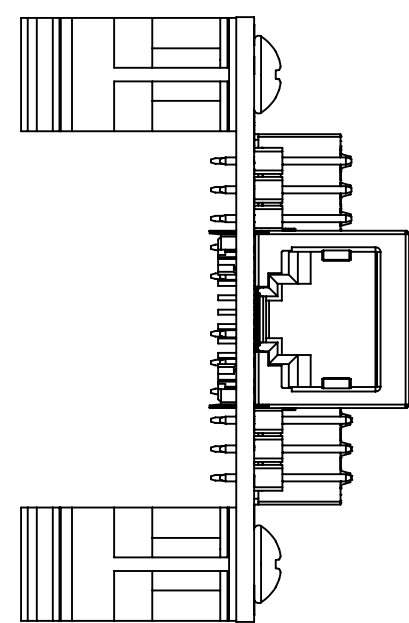


4

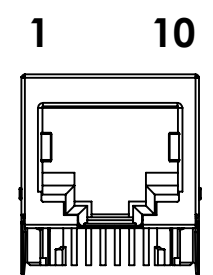
3


2

1



Connector Pinout



DIM: INCH	DATE: 01/05/2022	RoHS COMPLIANT: Yes	DESCRIPTION:
 WINFORD ENGINEERING, LLC 4561 GARFIELD ROAD AUBURN, MI 48611			RJ50 Diagnostic Breakout Switch Board
www.winford.com		989-671-9721	PART NUMBER (S)
			PART REVISION
			BTS10P10CSJ-R-DIN
			A

4

3

2

1