

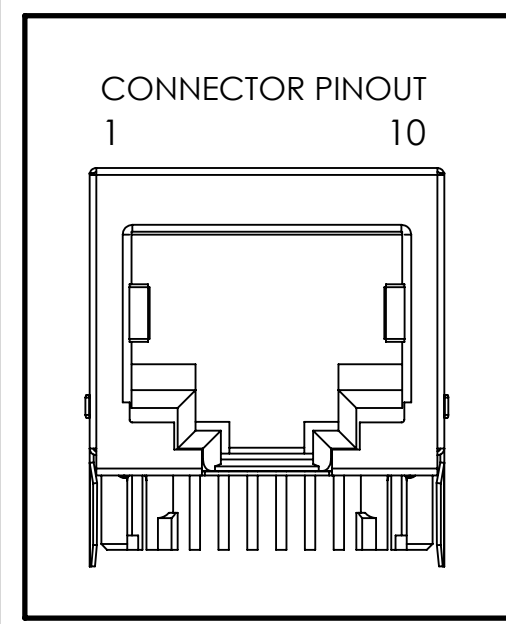
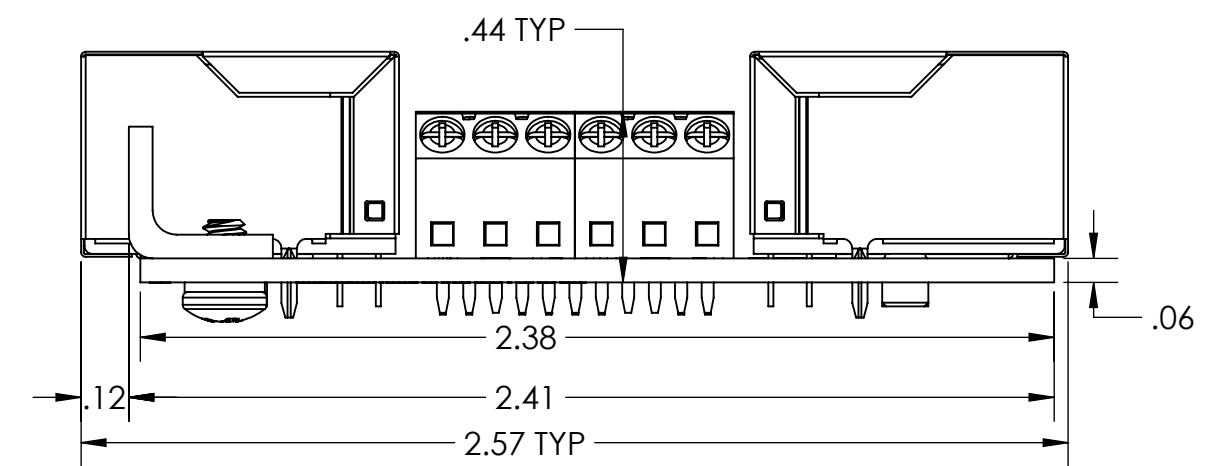
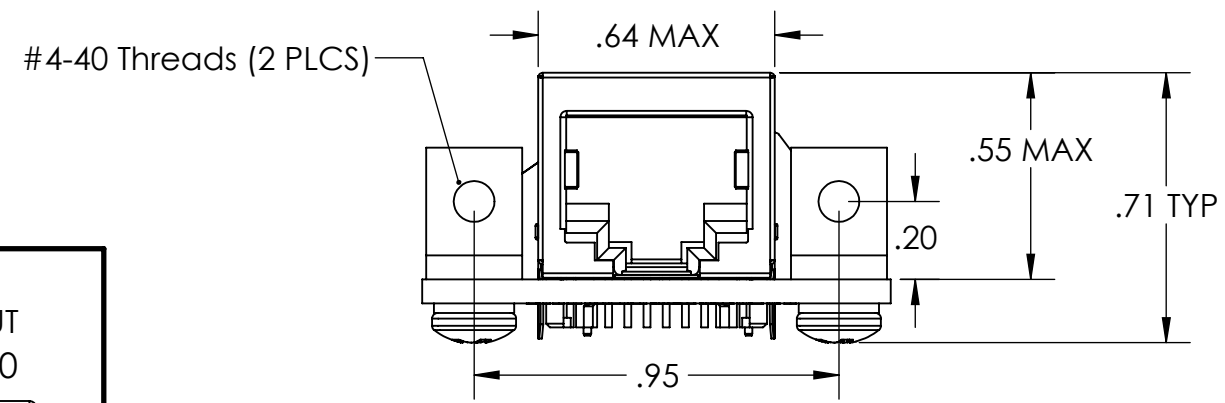
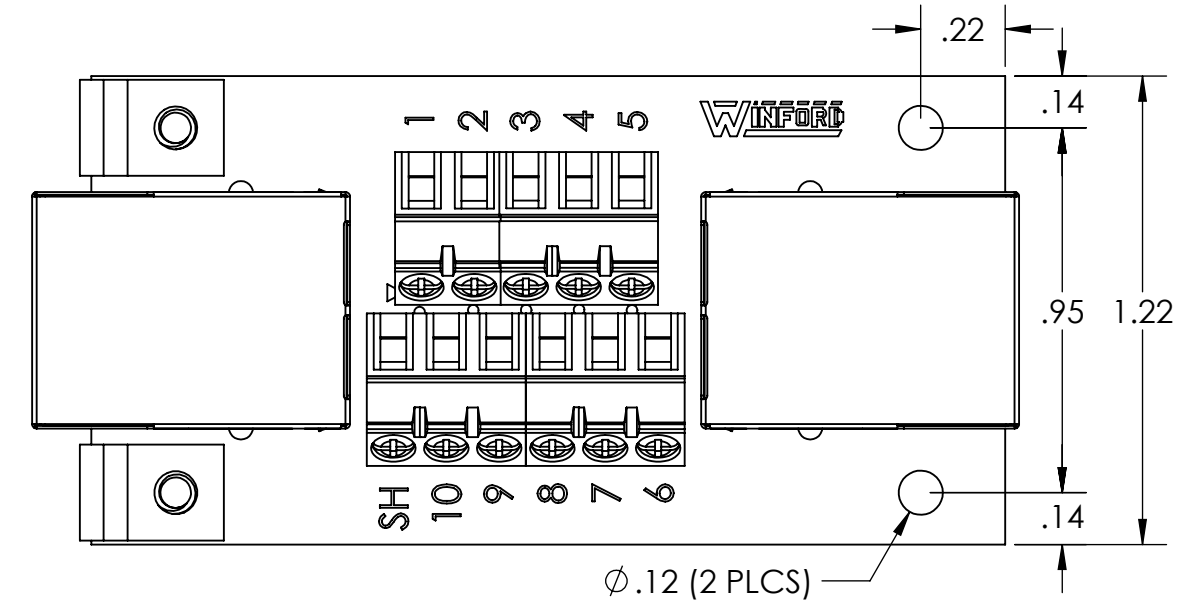
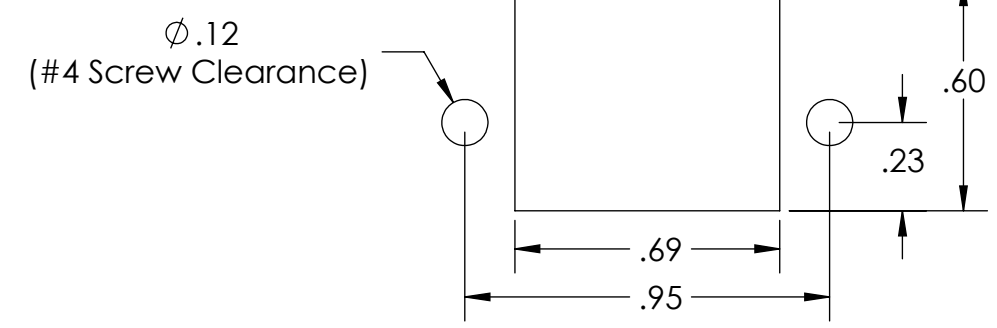
4

3

2

1

### PANEL CUTOUT



DIM: INCH	DATE: 01/05/2020	RoHS COMPLIANT: YES	DESCRIPTION:
 WINFORD ENGINEERING, LLC 4561 GARFIELD ROAD AUBURN, MI 48611			<b>RJ50 2-Way Buss Breakout</b>
www.winford.com		989-671-9721	PART NUMBER (S)
			<b>BRKSM10P10CSJ2B-R-P</b>
			PART REVISION
			<b>A</b>

4

3

2

1

B

B

A

A