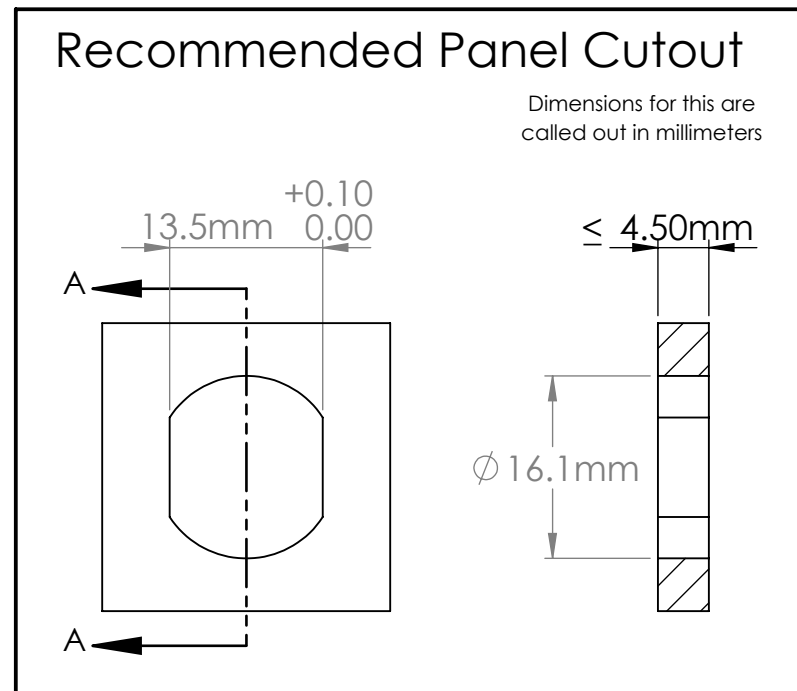
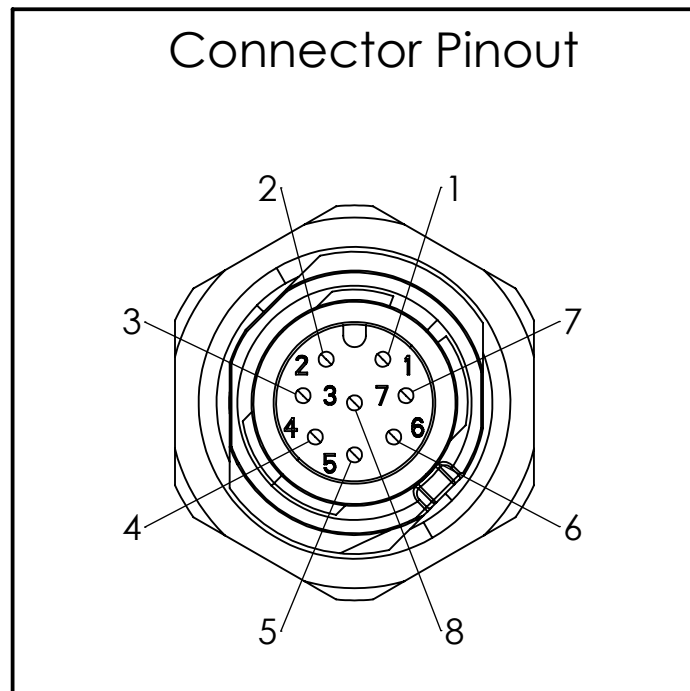
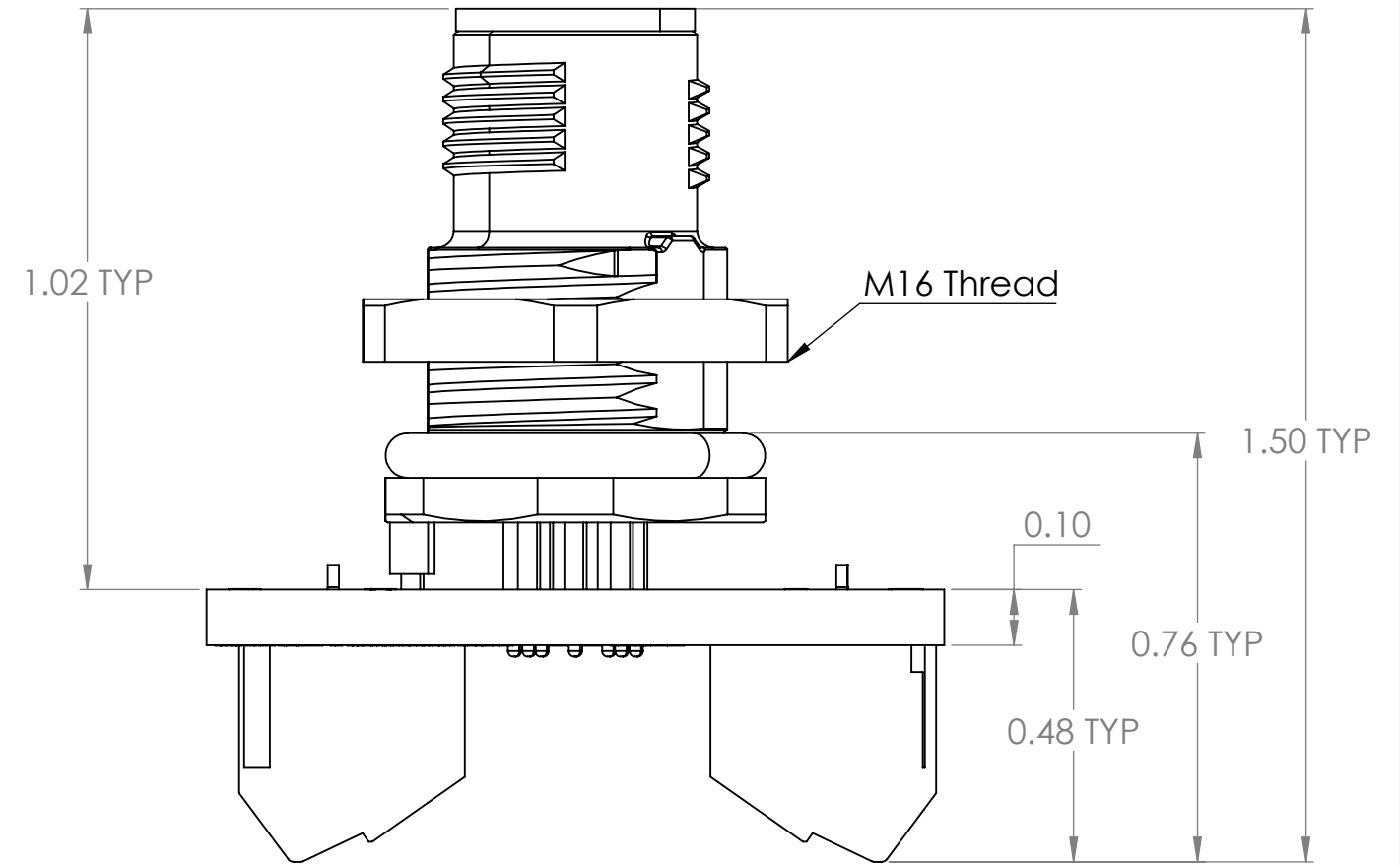
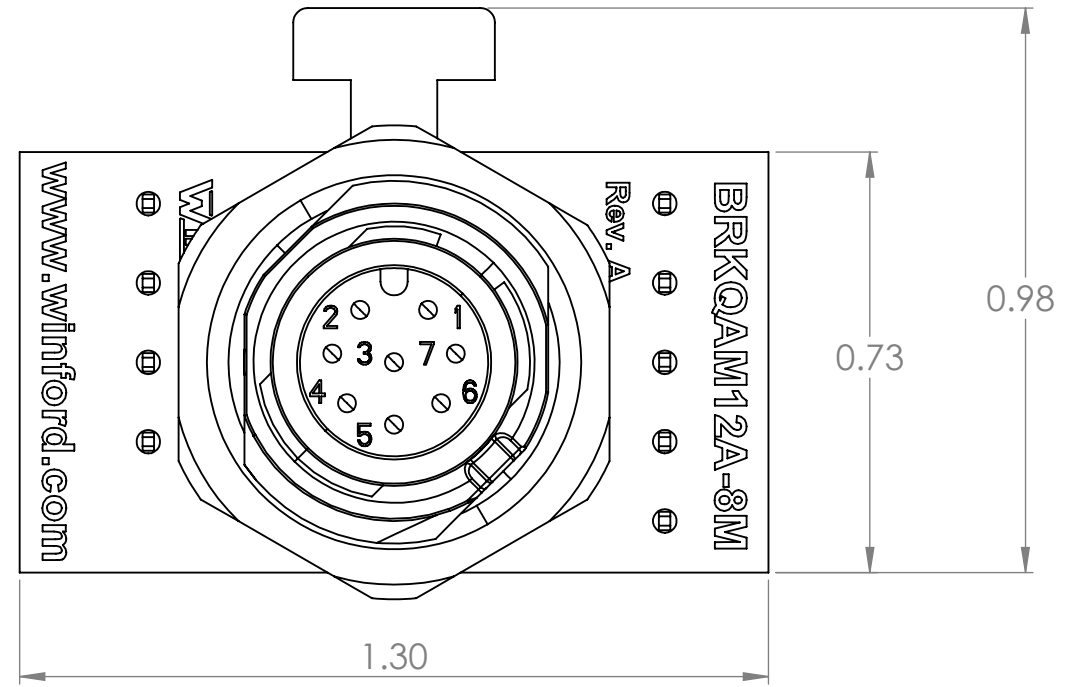
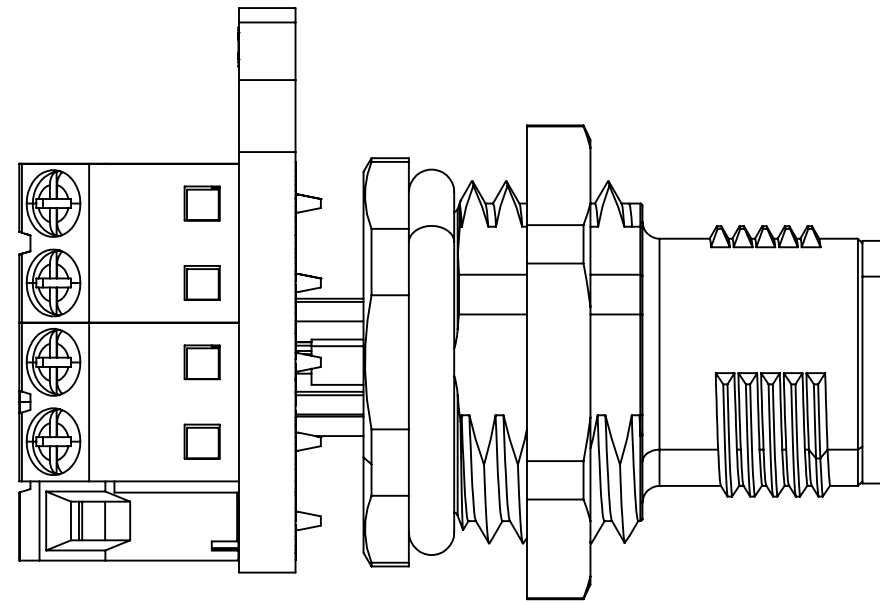
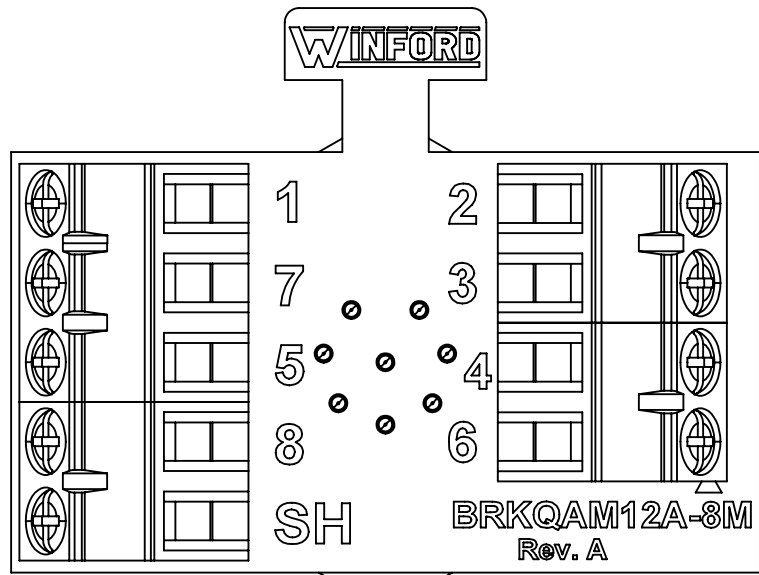


4

3

2

1



DIM: INCH	DATE: 04/26/2021	RoHS COMPLIANT: Yes	DESCRIPTION:
			M12 8 Pin male Breakout Board
WINFORD ENGINEERING, LLC 4561 GARFIELD ROAD AUBURN, MI 48611			PART NUMBER (S)
www.winford.com			BRKQAM12A-8M-A
989-671-9721			PART REVISION
			A

4

3

2

1

B

B

A

A