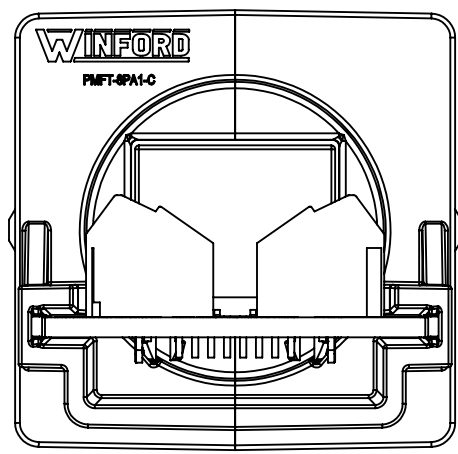
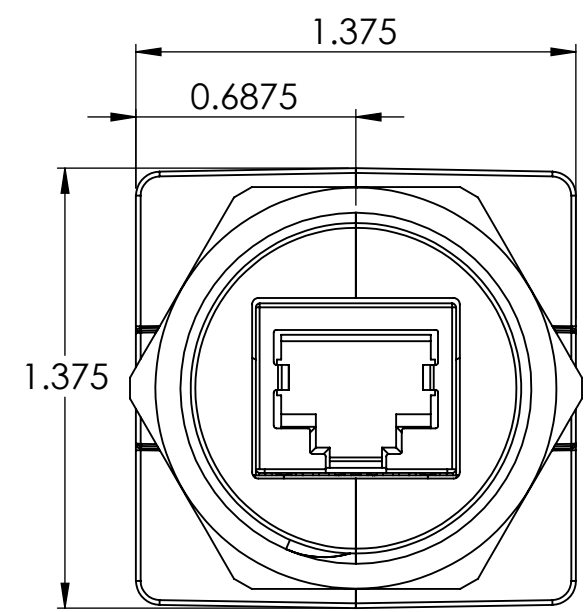
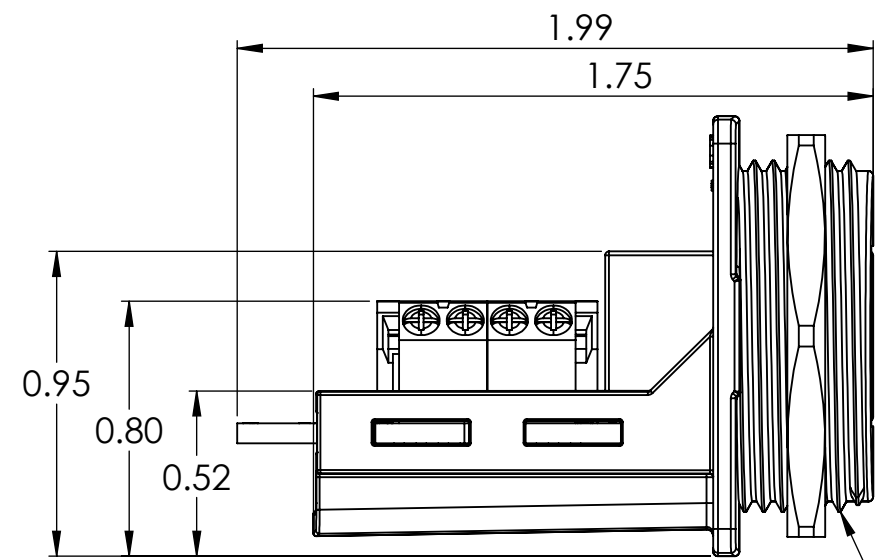
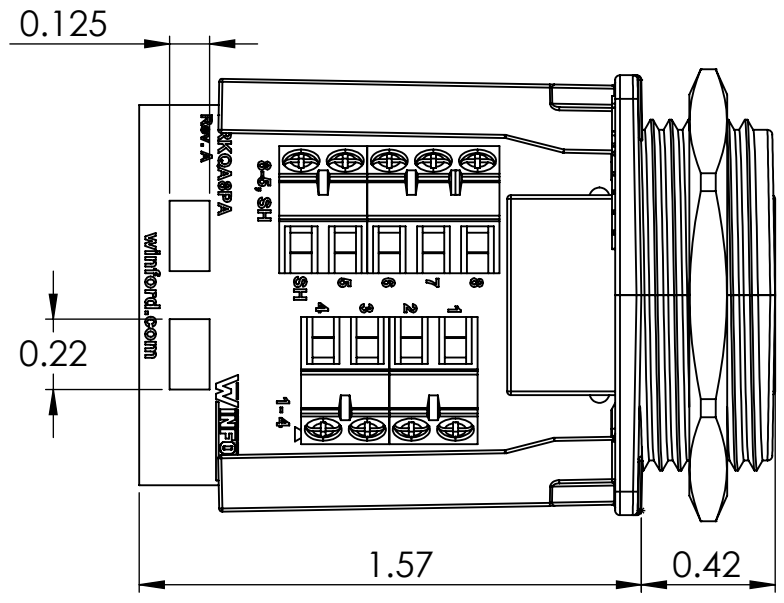
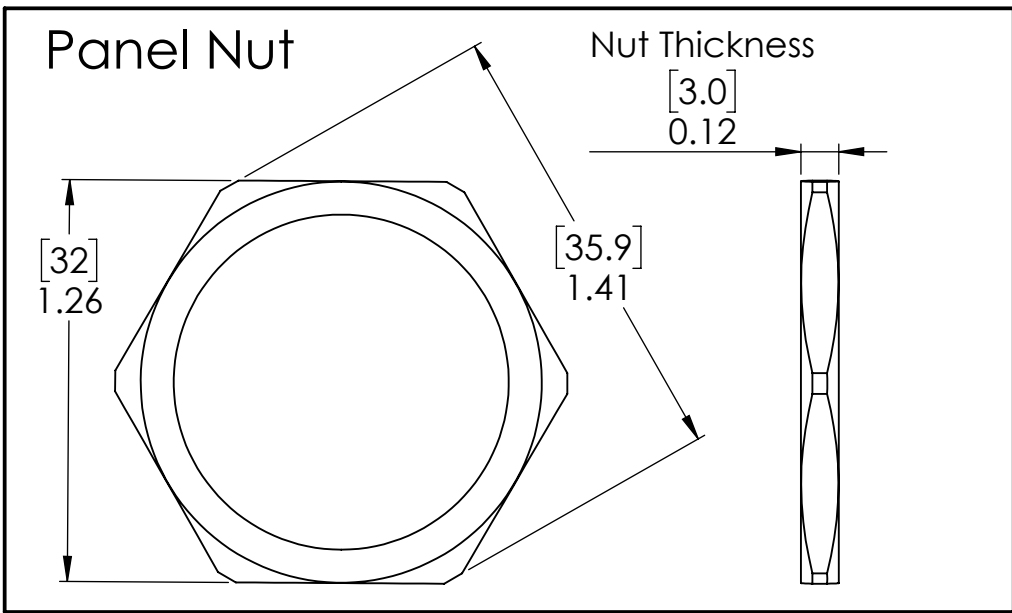


4

3

2

1

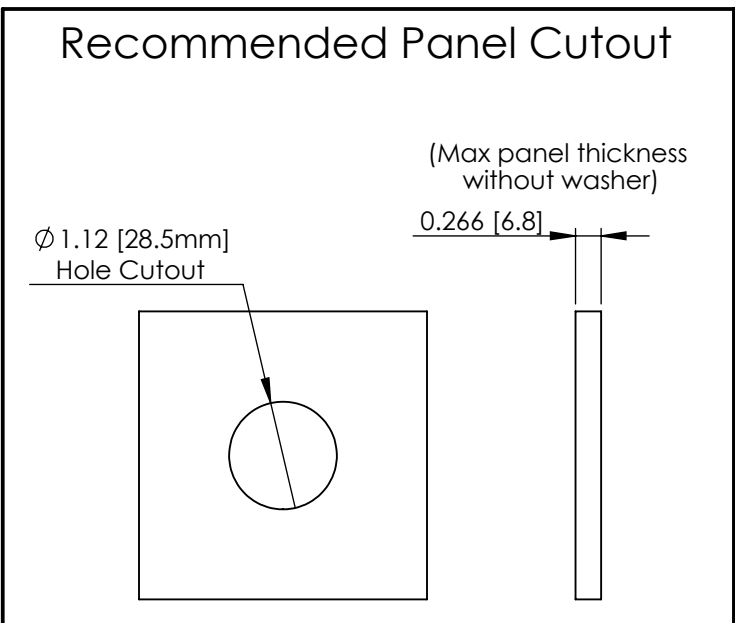
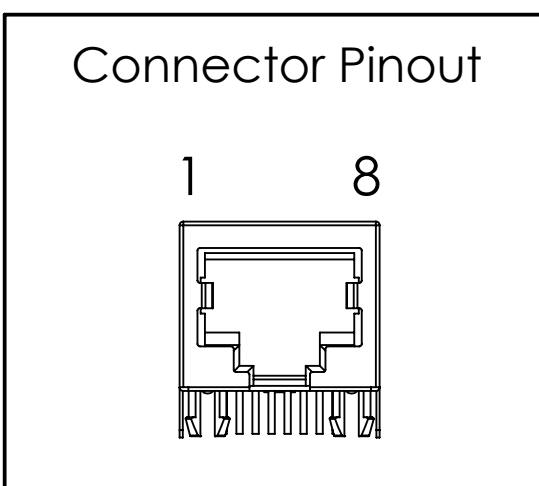


B


B

A

A



Washer not Included, but available as part number: SWF-M28-B-BULK

DIM: INCH	DATE: 06/09/2023	RoHS COMPLIANT: Yes	DESCRIPTION:
 WINFORD ENGINEERING, LLC 4561 GARFIELD ROAD AUBURN, MI 48611			RJ45 8P8C Shielded Jack Panel Mount Breakout Board
www.winford.com		989-671-9721	PART NUMBER (S) <b>BRKQA8PA-U</b>
			PART REVISION <b>A</b>

4

3

2

1