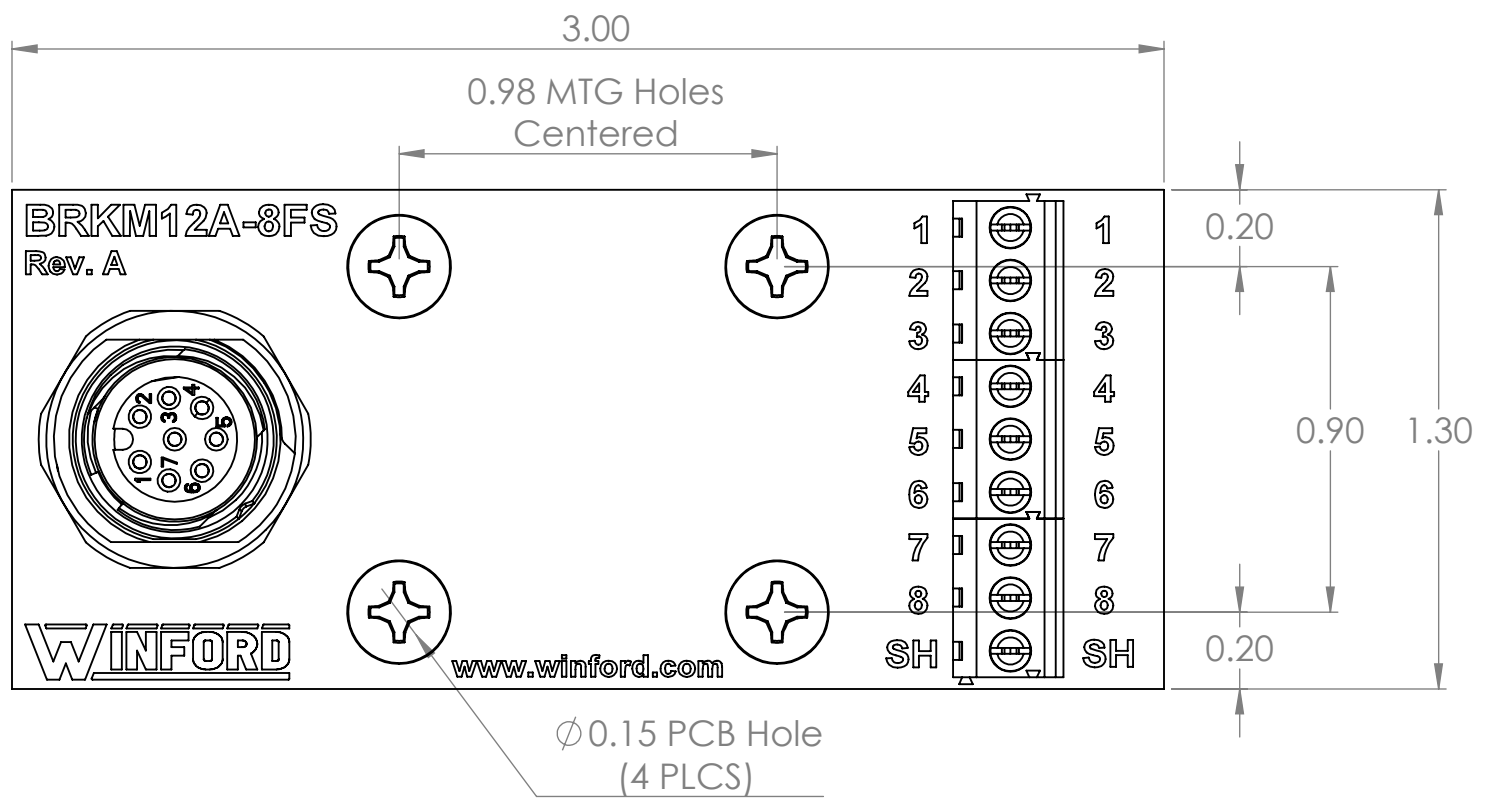
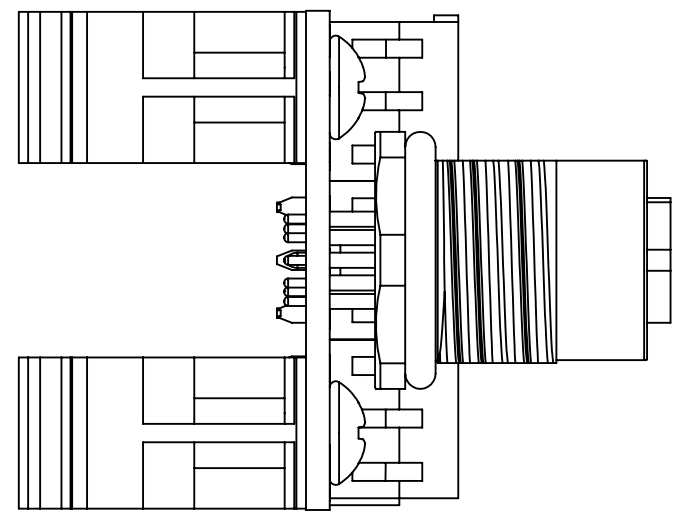


4

3

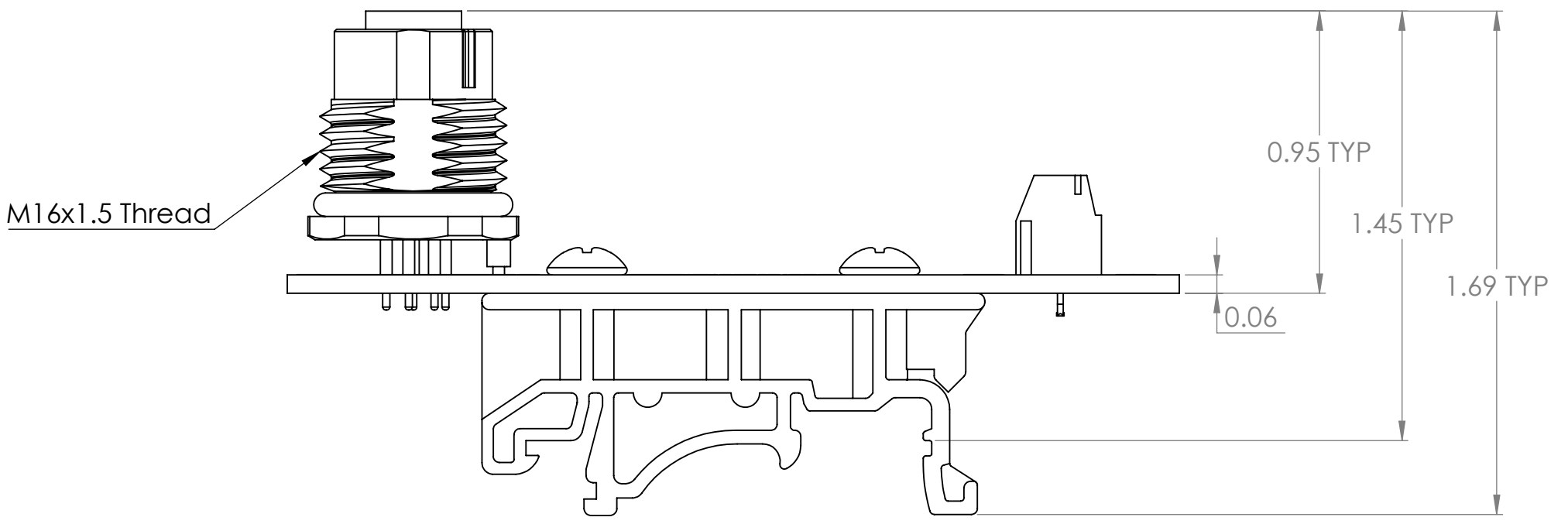
2

1



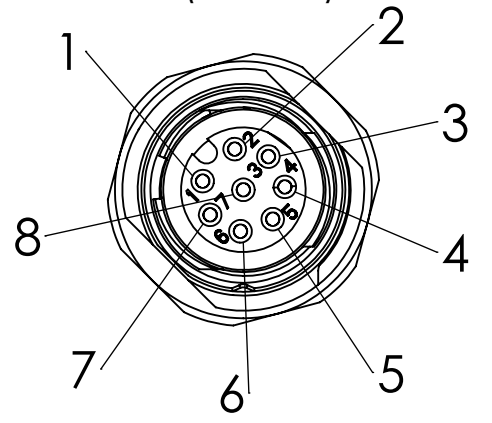
B

B



M16x1.5 Thread

Connector Pinout (Female)



4


3

2

1

A

A

DIM: INCH	DATE: 01/24/2022	RoHS COMPLIANT: Yes	DESCRIPTION:
 WINFORD ENGINEERING, LLC 4561 GARFIELD ROAD AUBURN, MI 48611			M12 8 Pin Female Breakout Board
www.winford.com		989-671-9721	PART NUMBER (S)
			BRKM12A-8FS-DIN
			PART REVISION
			A