

4

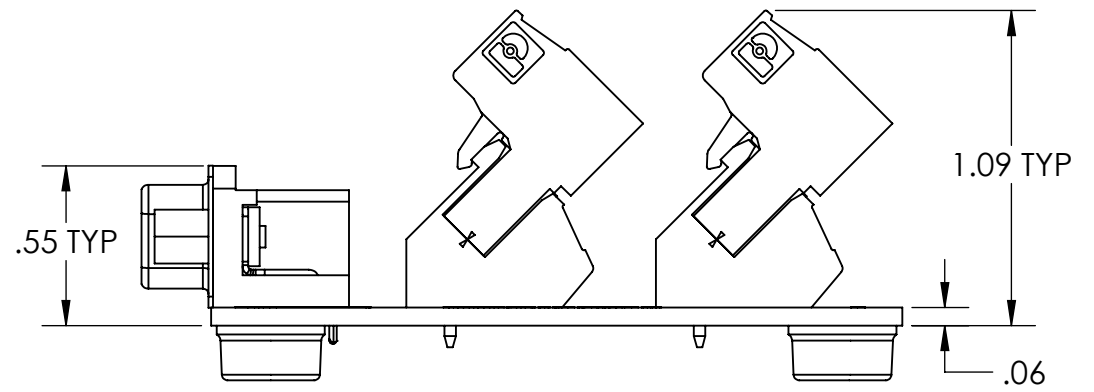
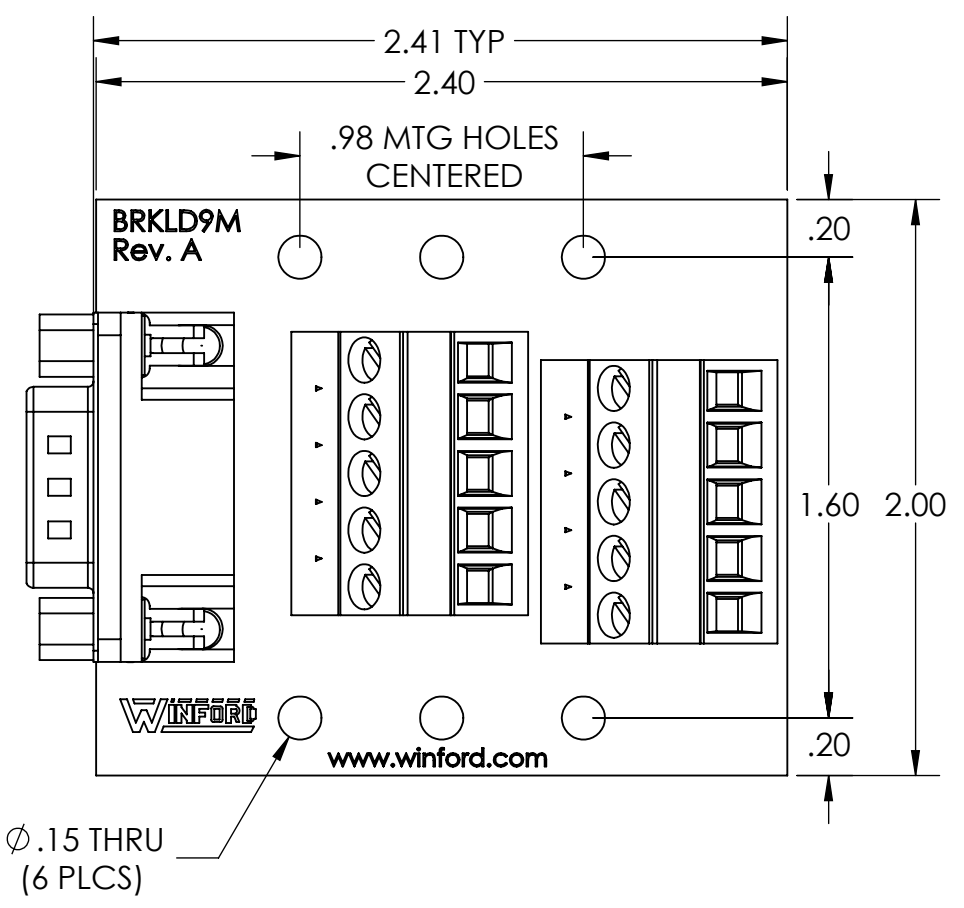
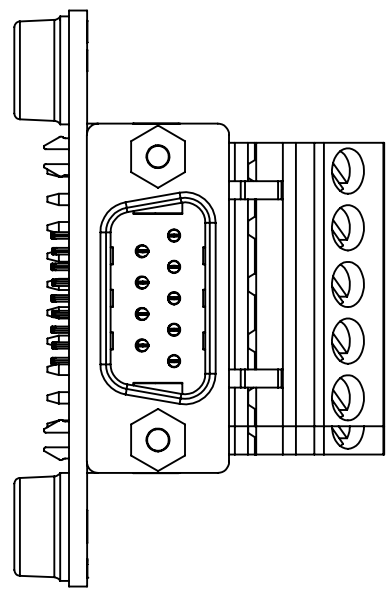
3

2

1

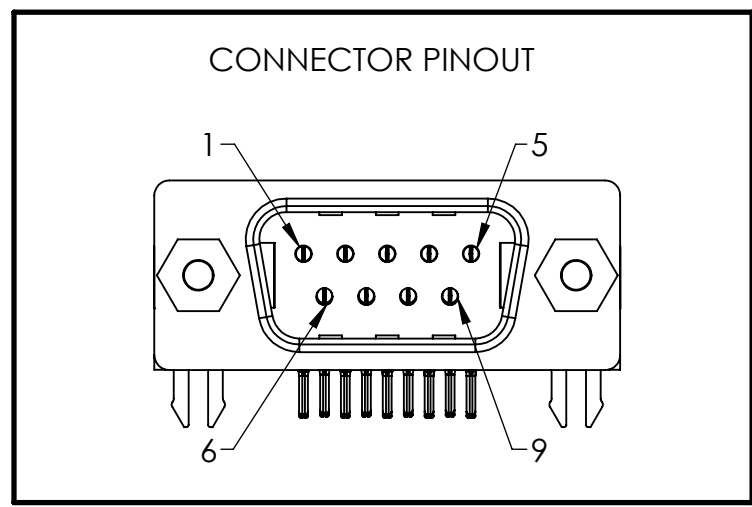
B


B



A

A



DIM: INCH	DATE: 11/29/2020	RoHS COMPLIANT: YES	DESCRIPTION:
 WINFORD ENGINEERING, LLC 4561 GARFIELD ROAD AUBURN, MI 48611			<b>DB9 Male Breakout</b>
www.winford.com		989-671-9721	PART NUMBER (S) <b>BRKLD9M-RW-FT</b>
			PART REVISION <b>A</b>

4

3

2

1