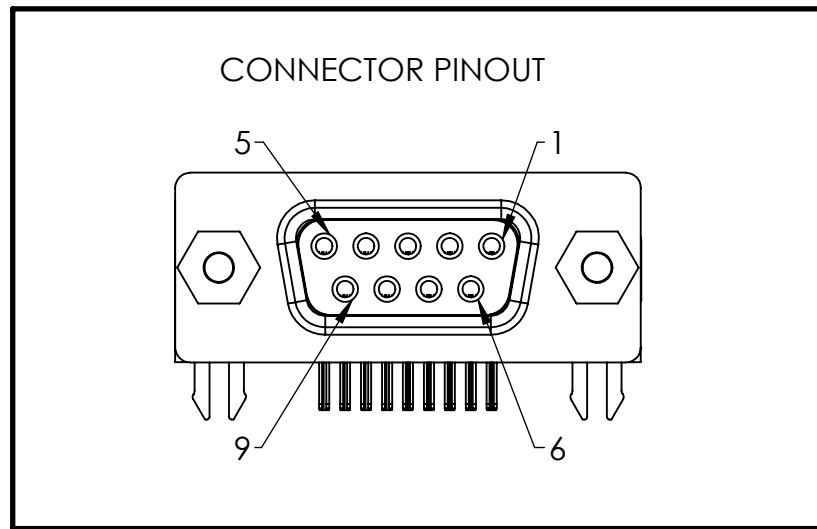
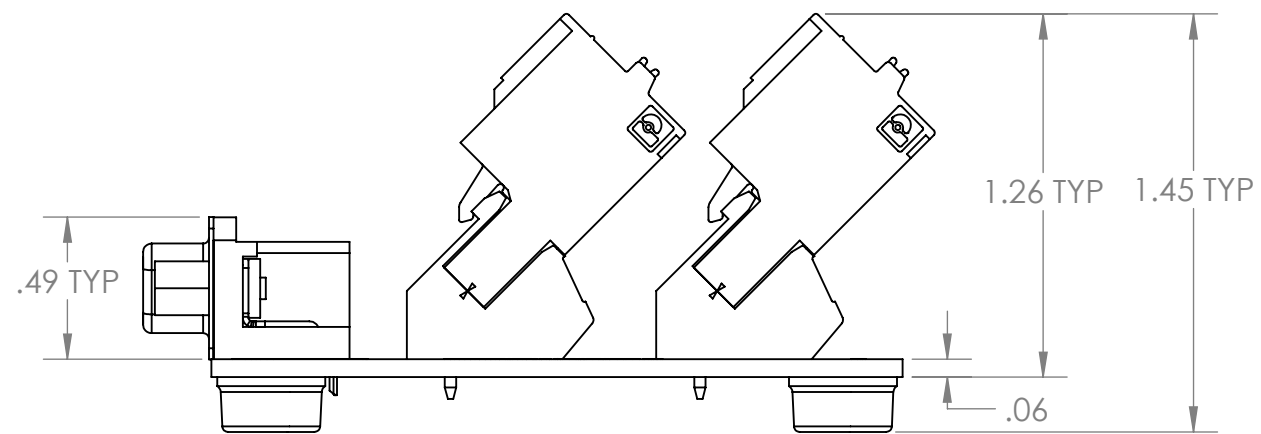
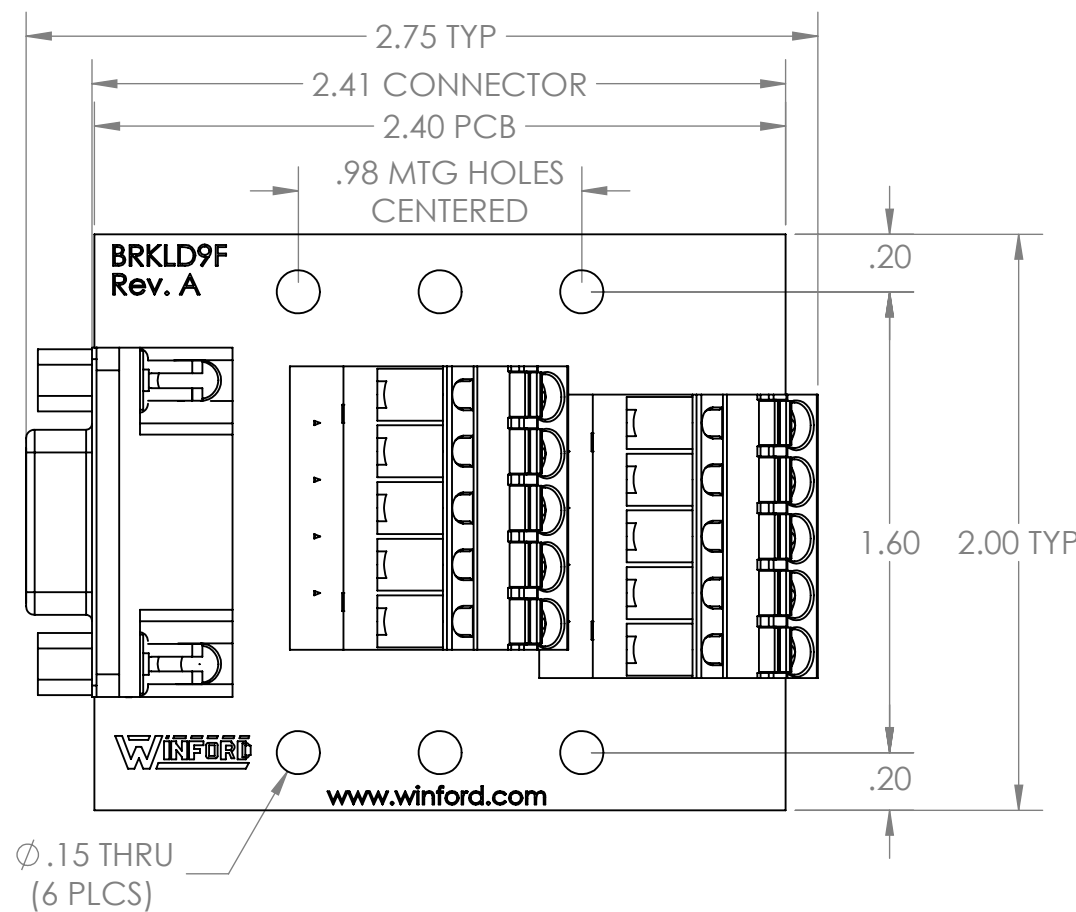
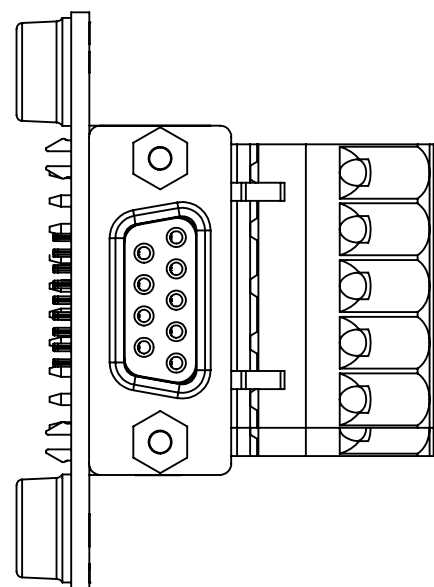



4

3

2

1



DIM: INCH	DATE: 11/29/2020	RoHS COMPLIANT: YES	DESCRIPTION:
 WINFORD ENGINEERING, LLC 4561 GARFIELD ROAD AUBURN, MI 48611			DB9 Female Breakout
www.winford.com		989-671-9721	PART NUMBER (S) BRKLD9F-RG-FT
			PART REVISION A

4

3

2

1

B

A

B

A