

4

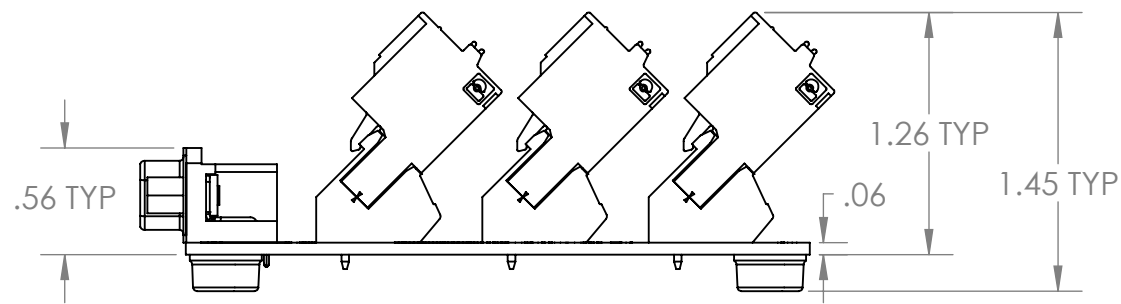
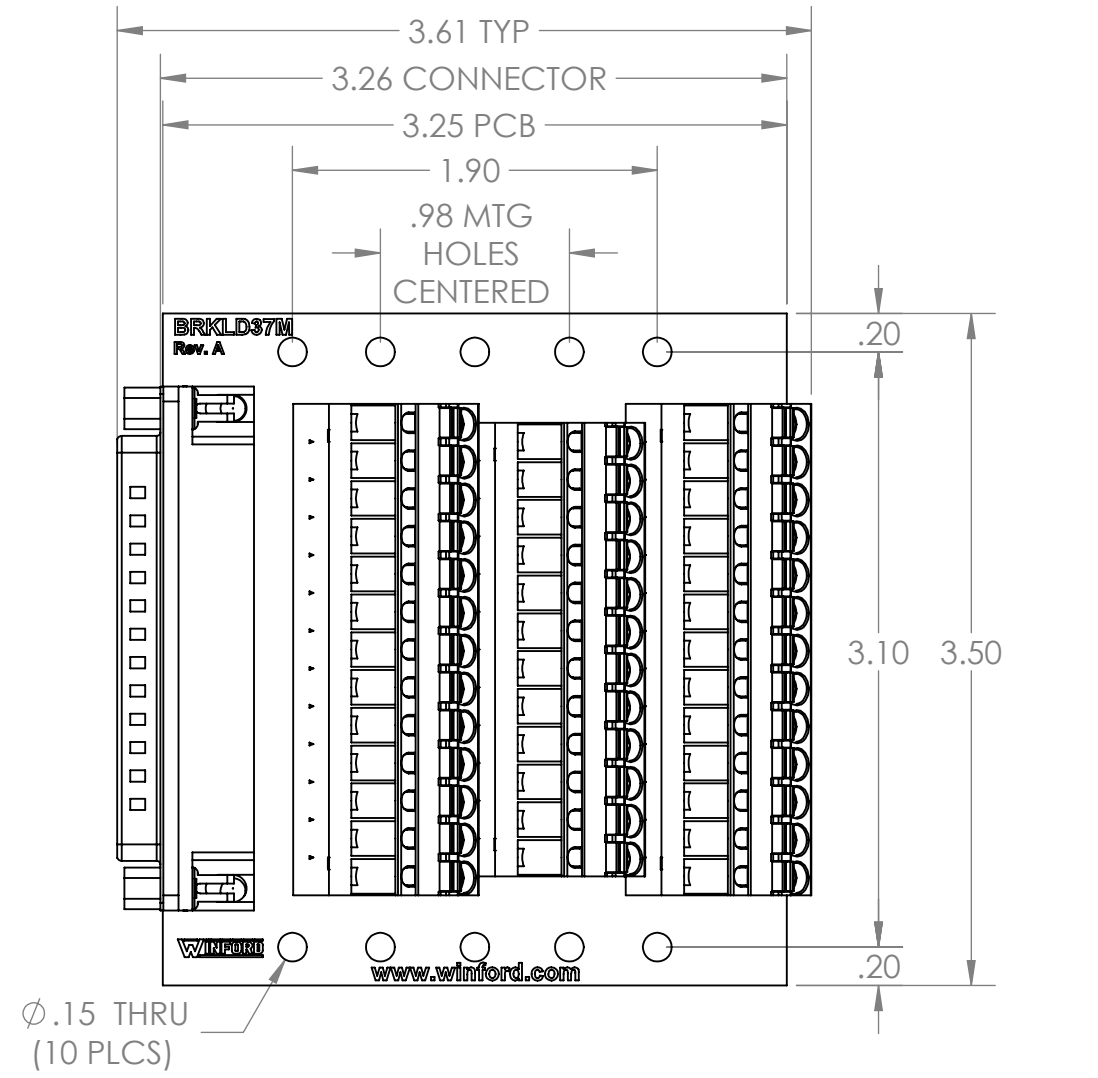
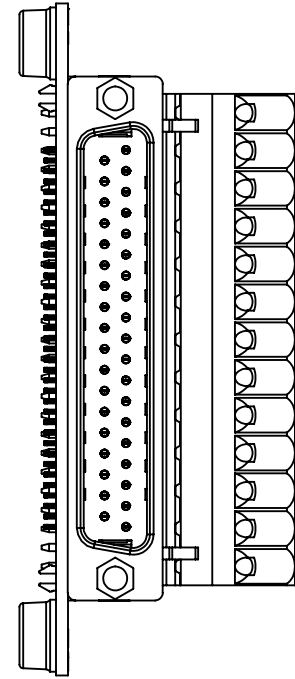
3

2

1

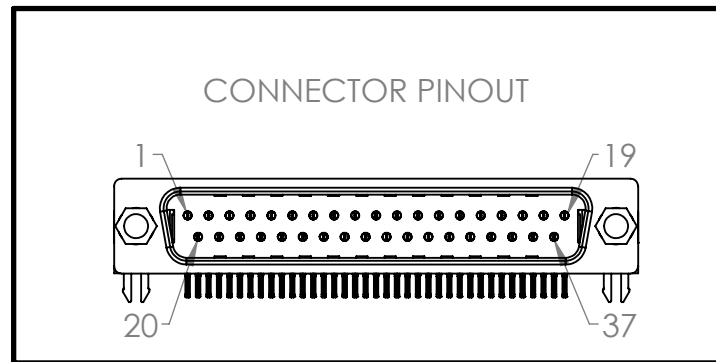
B

B



A

A



DIM: INCH	DATE: 3/14/21	RoHS COMPLIANT: YES	DESCRIPTION:
 WINFORD ENGINEERING, LLC 4561 GARFIELD ROAD AUBURN, MI 48611			DB37 Male Breakout Board
www.winford.com		989-671-9721	PART NUMBER (S) BRKLD37M-RG-FT
			PART REVISION A

4

3

2

1