

4

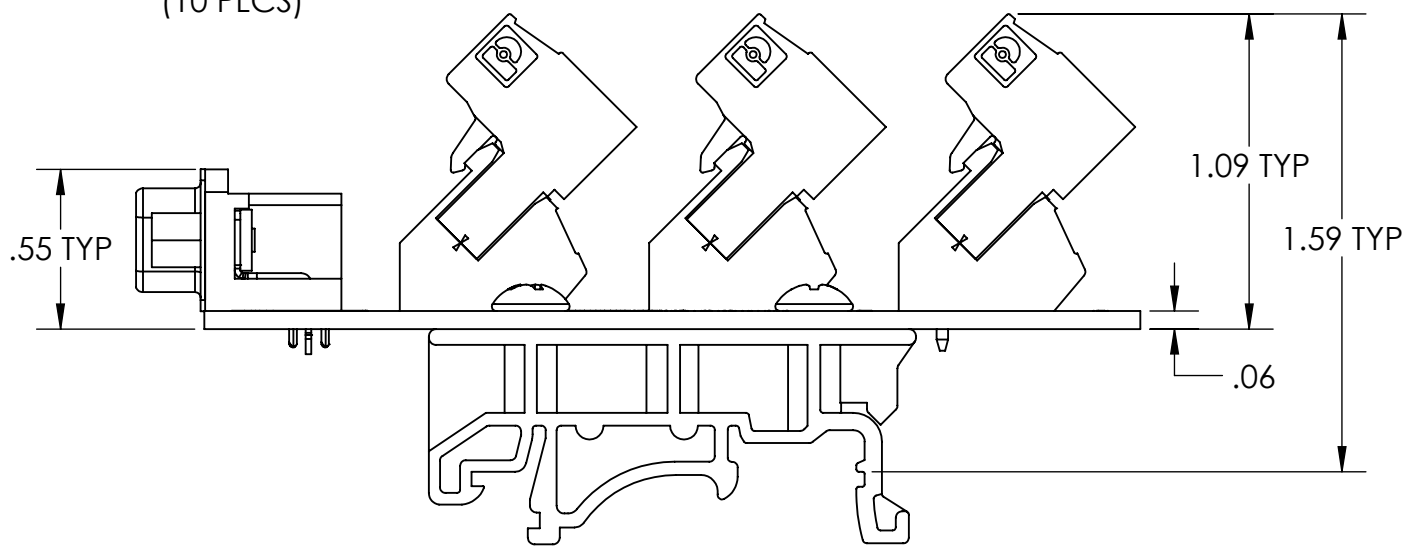
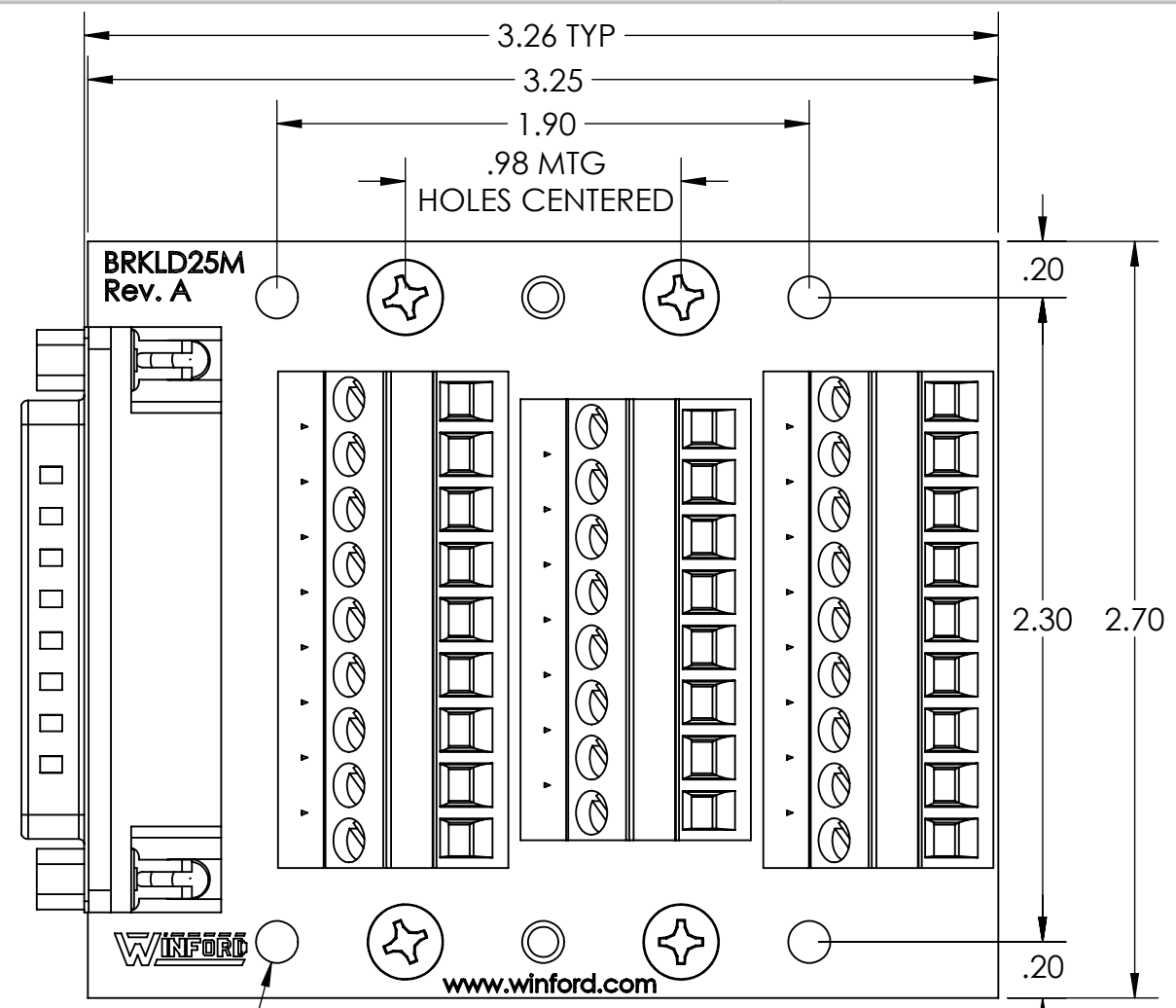
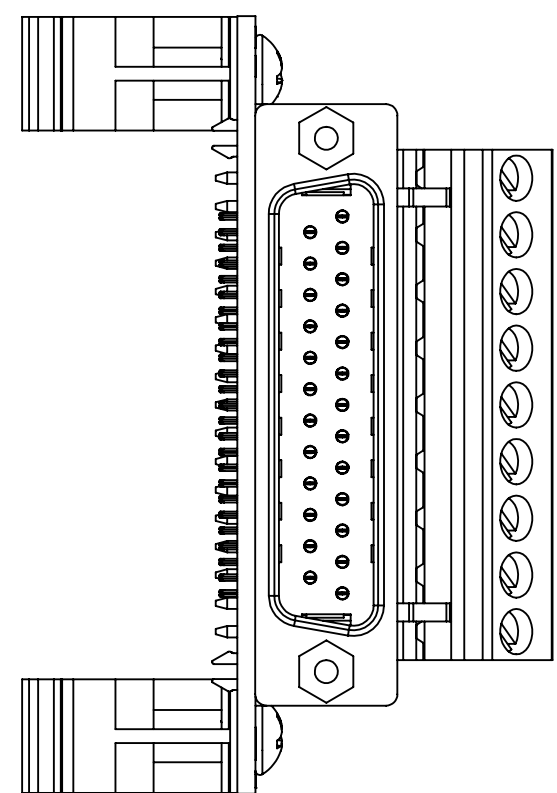
3

2

1

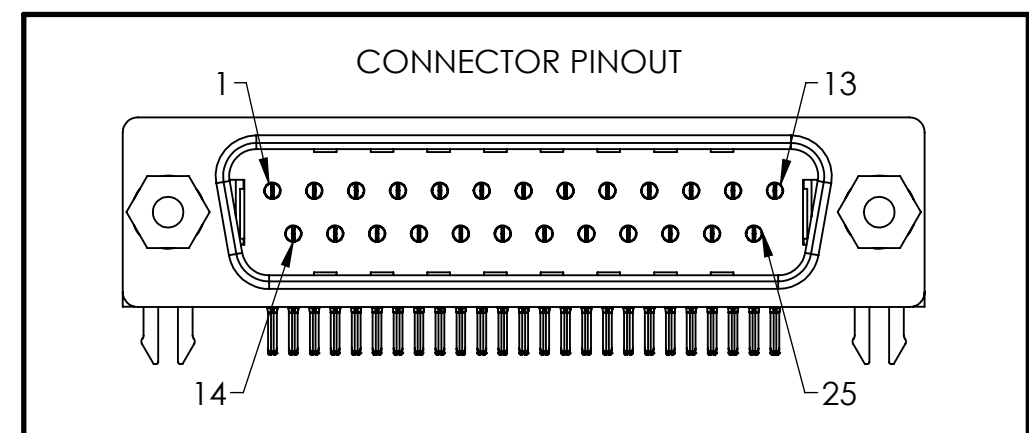
B

B



A

A




4

3

2

1

DIM: INCH	DATE: 07/29/2020	RoHS COMPLIANT: YES	DESCRIPTION:
 WINFORD ENGINEERING, LLC 4561 GARFIELD ROAD AUBURN, MI 48611			<b>DB25 Male Breakout</b>
www.winford.com			PART NUMBER (S)
989-671-9721			<b>BRKLD25M-RW-DIN</b>
			PART REVISION
			<b>A</b>