

4

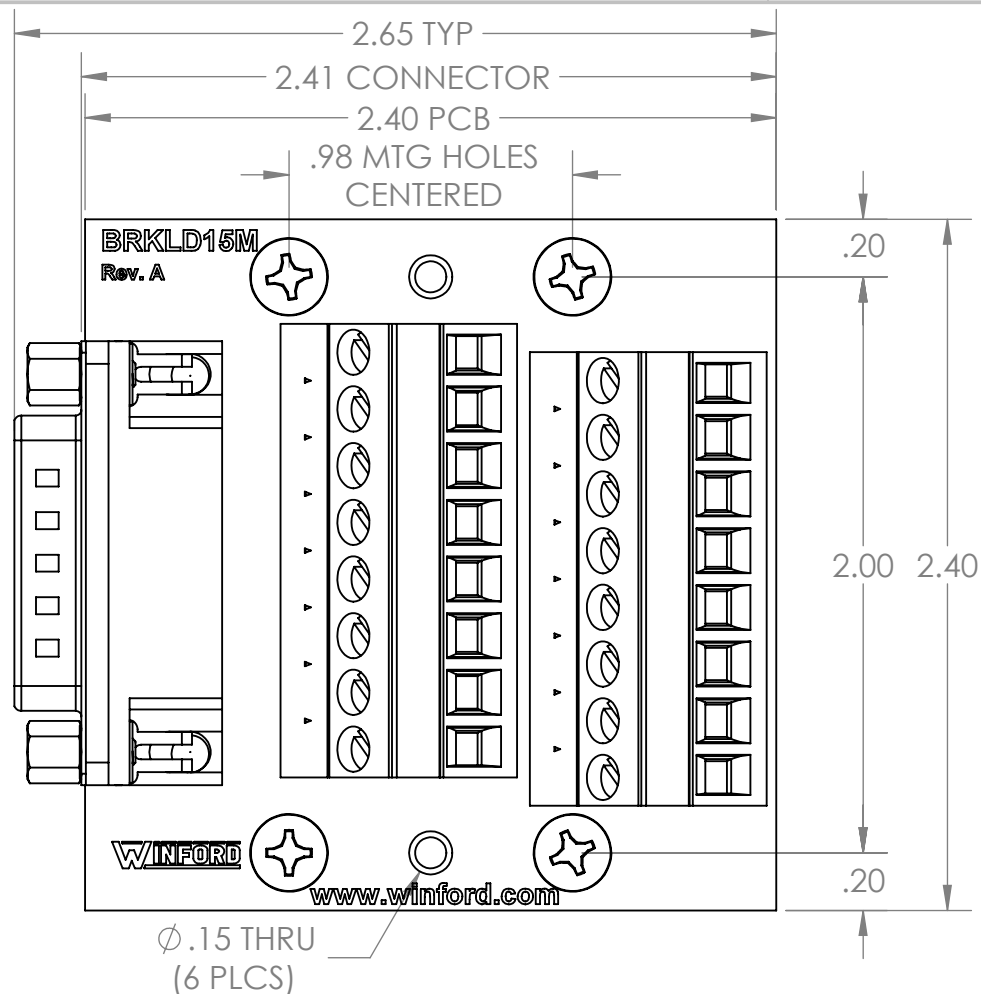
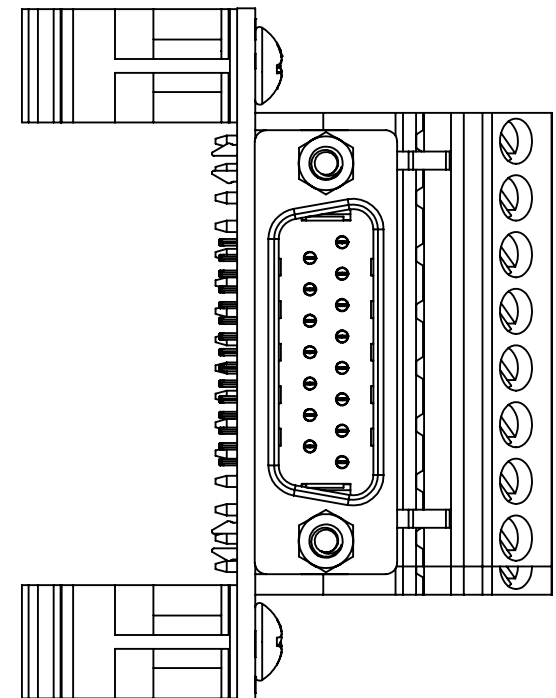
3

2

1

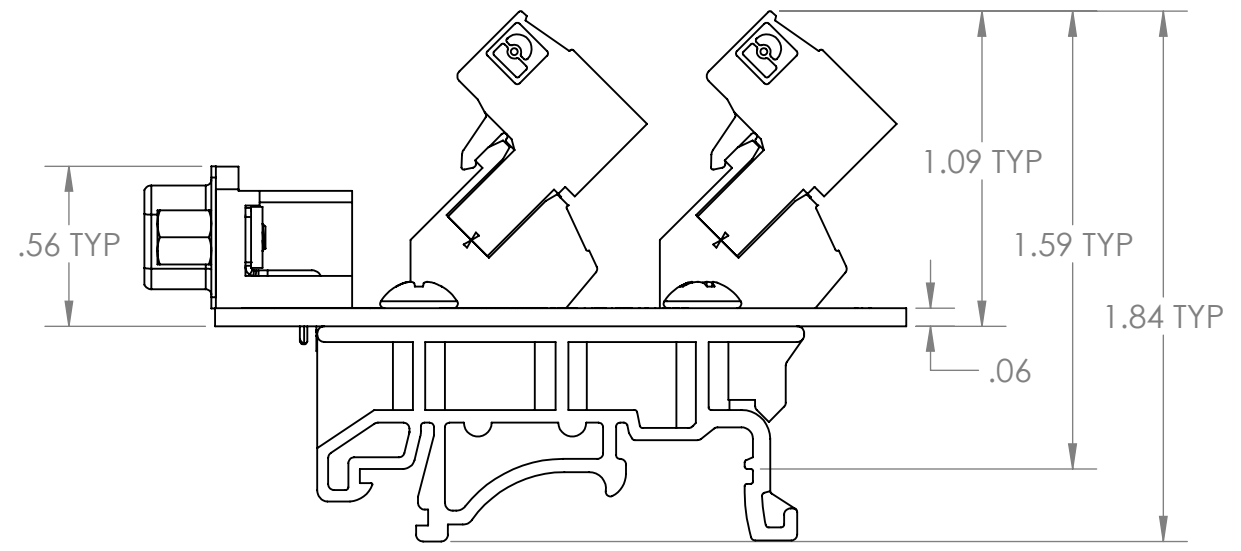
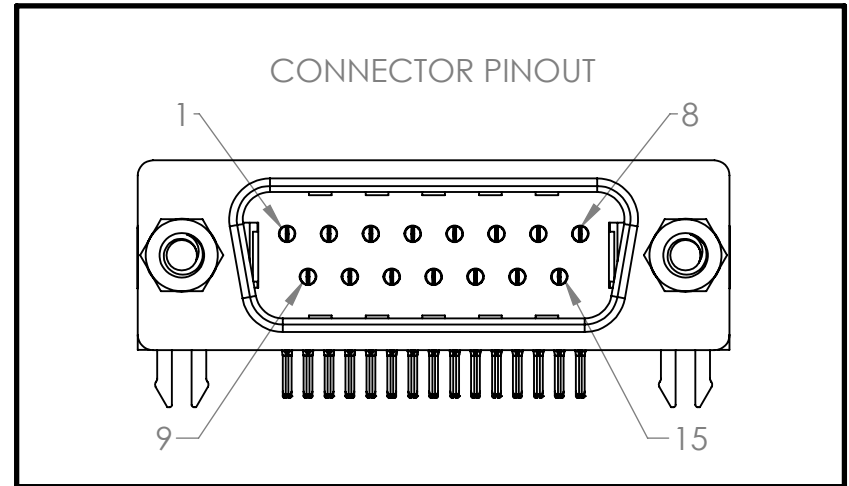
B

B



A

A



4

3

2

1

DIM: INCH	DATE: 01/31/21	RoHS COMPLIANT: YES	DESCRIPTION:
			DB15 Male Breakout
WINFORD ENGINEERING, LLC 4561 GARFIELD ROAD AUBURN, MI 48611			PART NUMBER (S)
www.winford.com			BRKLD15M-RW-DIN
989-671-9721			PART REVISION
			A