

4

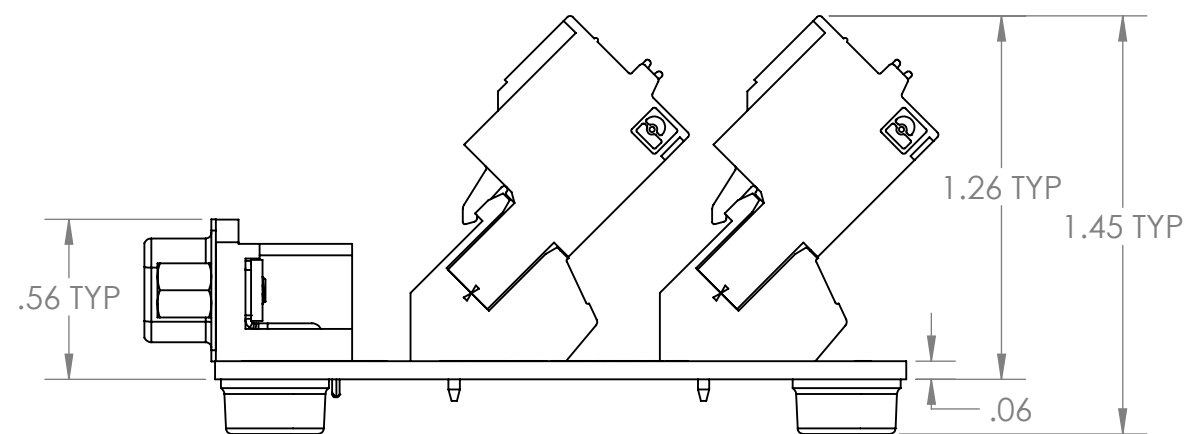
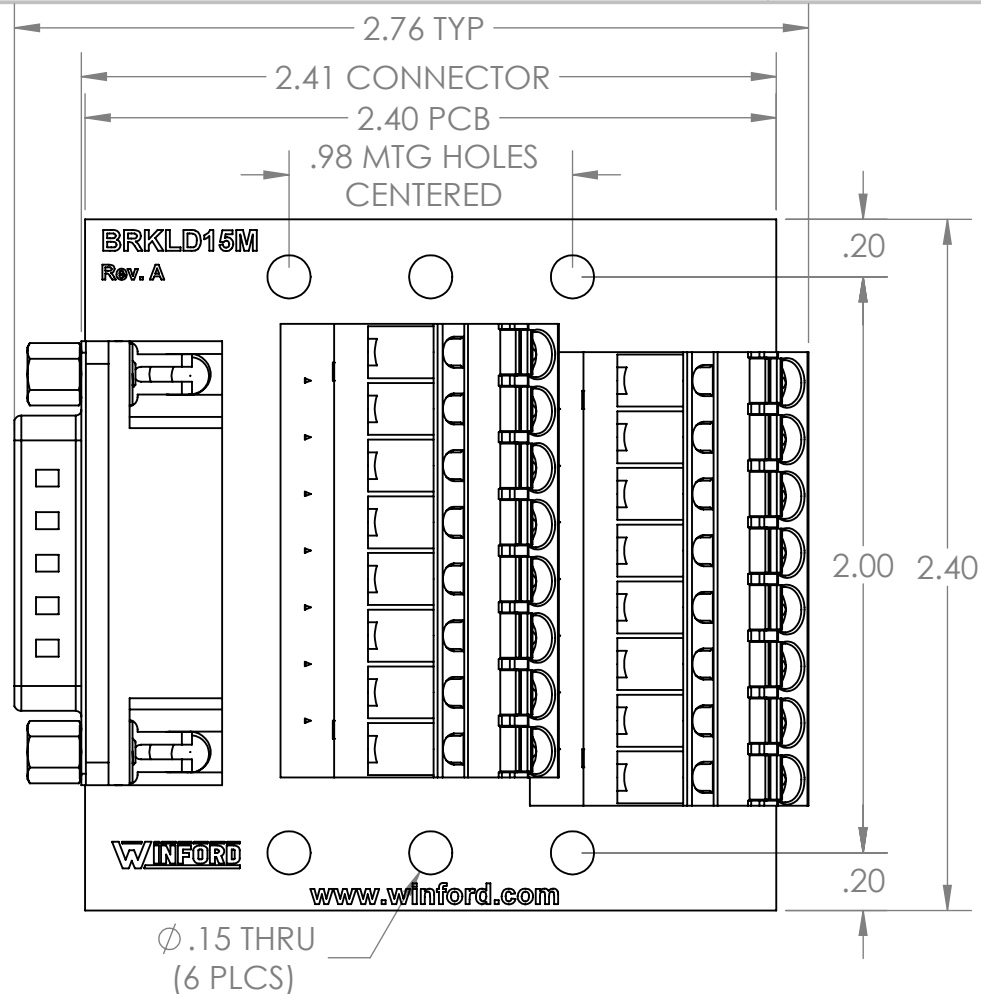
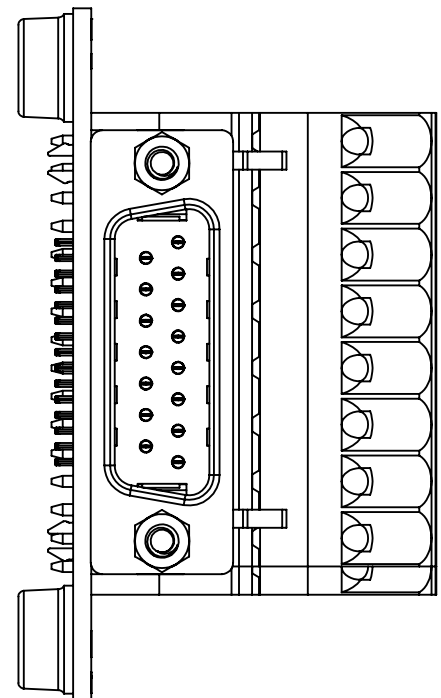
3

2

1

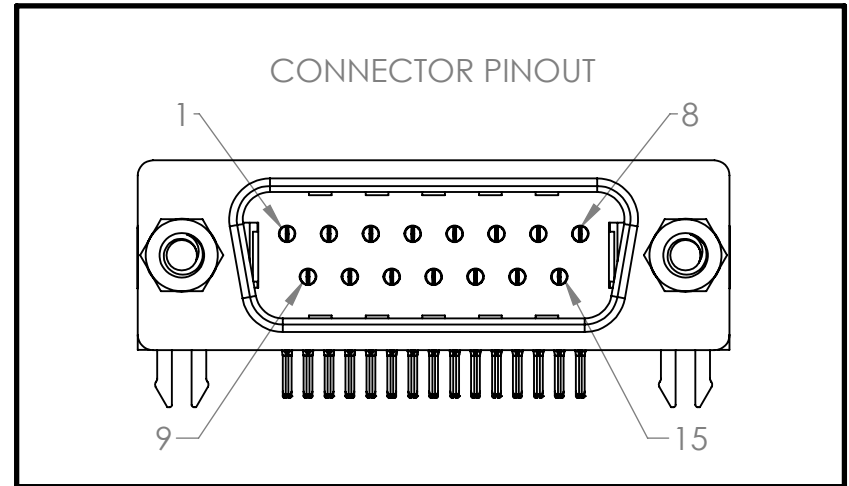
B

B



A

A



DIM: INCH	DATE: 01/31/21	RoHS COMPLIANT: YES	DESCRIPTION:
WINFORD ENGINEERING, LLC 4561 GARFIELD ROAD AUBURN, MI 48611			DB15 Male Breakout
www.winford.com		989-671-9721	PART NUMBER (S) BRKLD15M-RG-FT
			PART REVISION A

4

3

2

1