

4

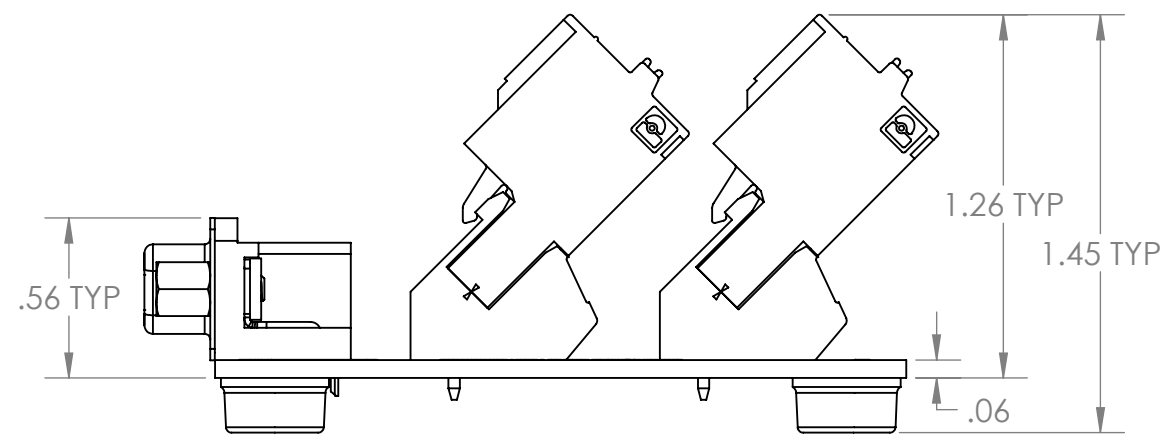
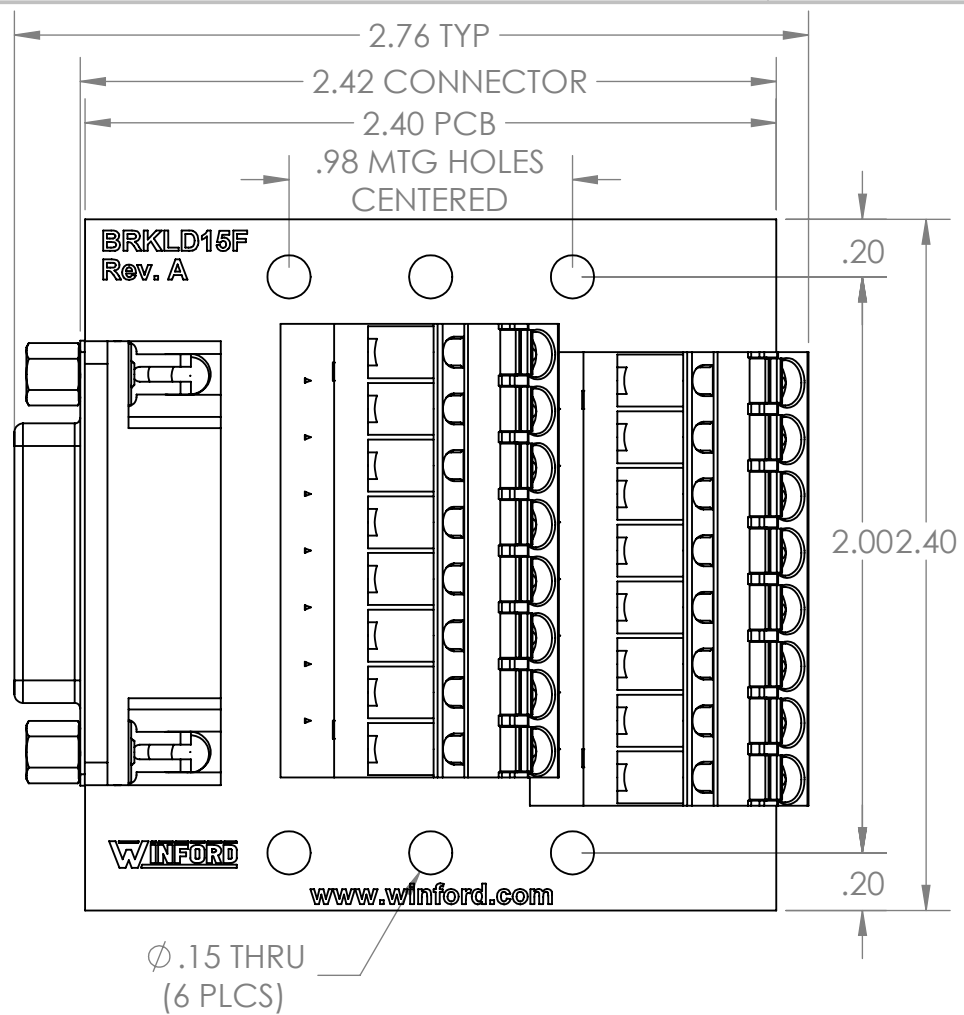
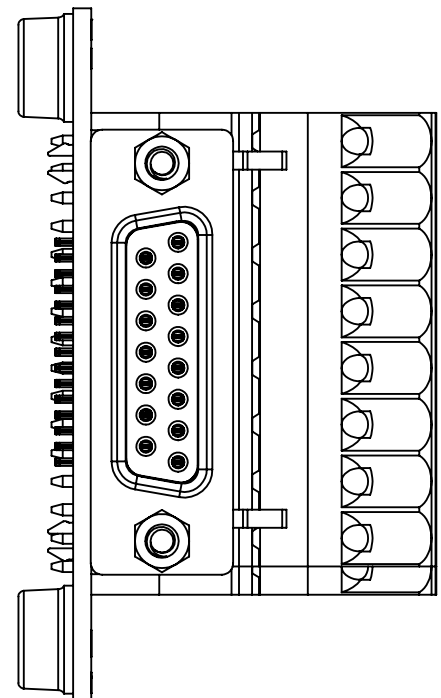
3

2

1

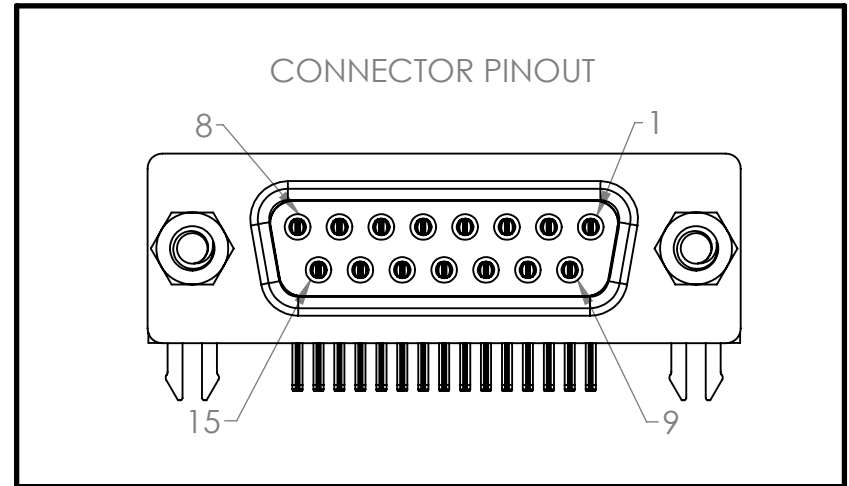
B


B



A

A



DIM: INCH	DATE: 01/31/21	RoHS COMPLIANT: YES	DESCRIPTION:
 WINFORD ENGINEERING, LLC 4561 GARFIELD ROAD AUBURN, MI 48611			DB15 Female Breakout
www.winford.com		989-671-9721	PART NUMBER (S)
			BRKLD15F-RG-FT
			PART REVISION
			A

4

3

2

1