

4

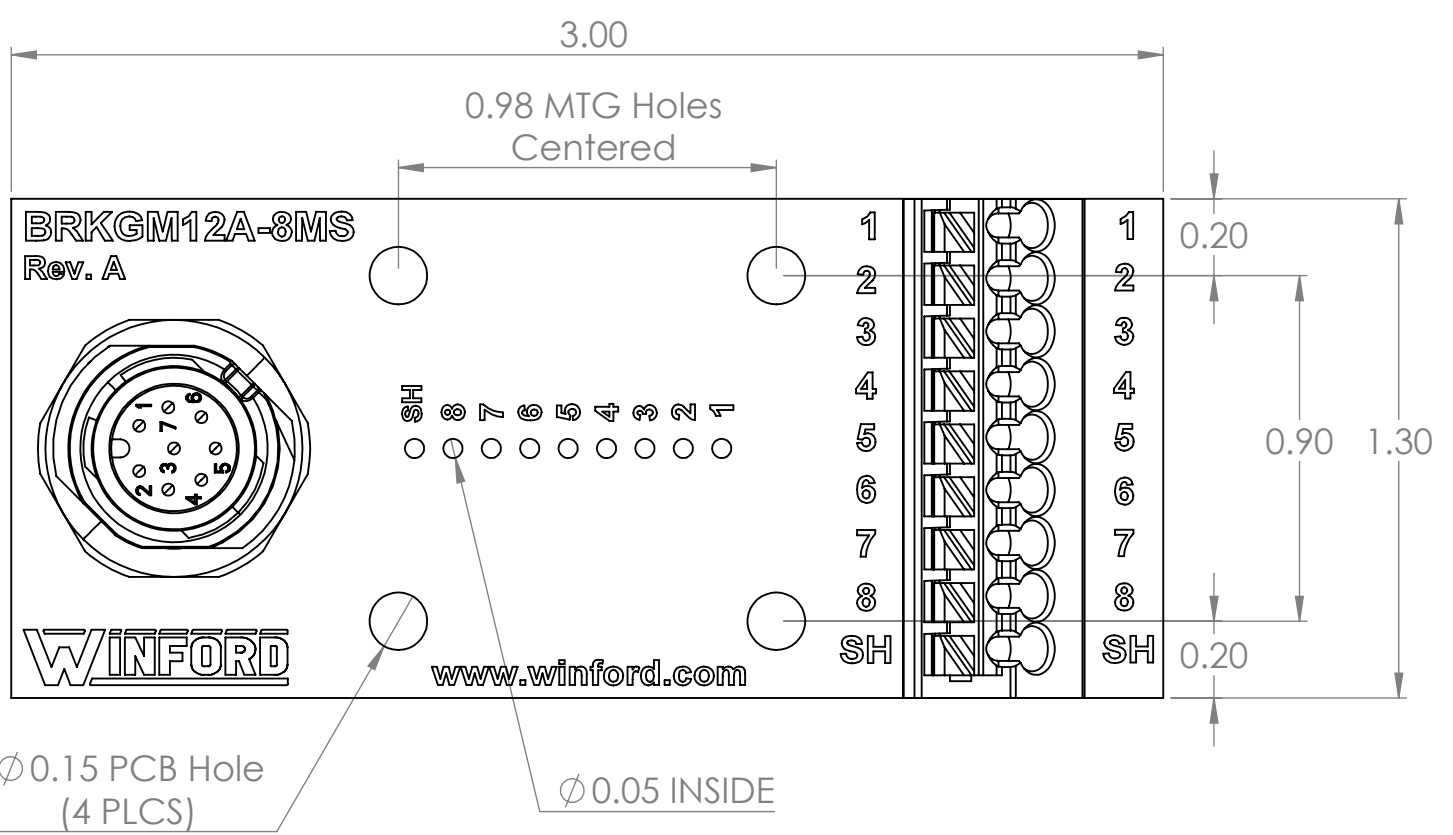
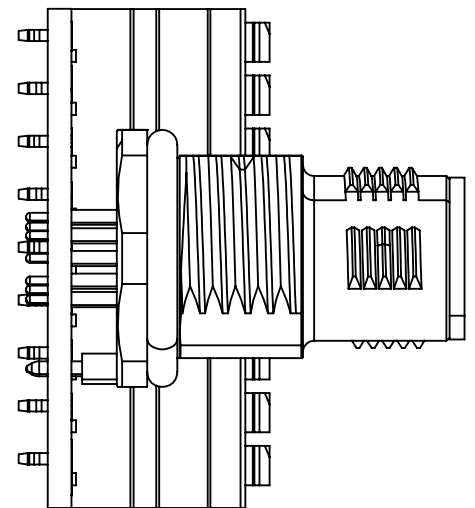
3

2

1

B

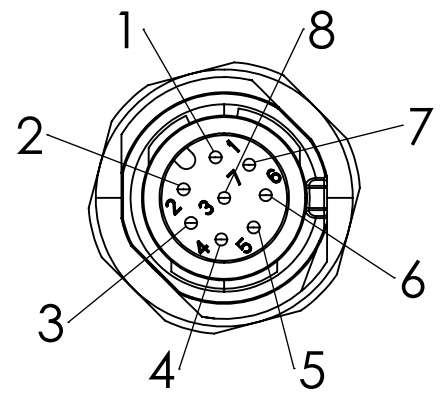
B



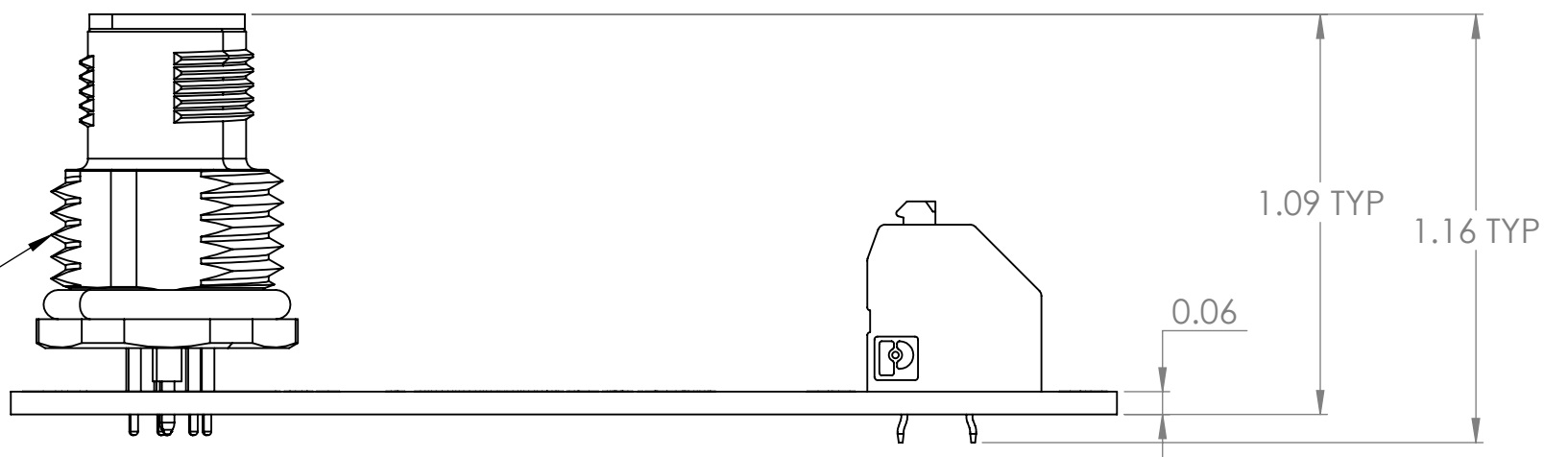
A


A

Connector Pinout (Male)



M16x1.5 THREAD



DIM: INCH	DATE: 1/31/2022	RoHS COMPLIANT: Yes	DESCRIPTION: M12 8 Pin Male Breakout with Spring Terminals
		WINFORD ENGINEERING, LLC 4561 GARFIELD ROAD AUBURN, MI 48611	PART NUMBER (S) <b>BRKGM12A-8MS-N</b>
www.winford.com		989-671-9721	PART REVISION <b>A</b>

4

3

2

1