

4

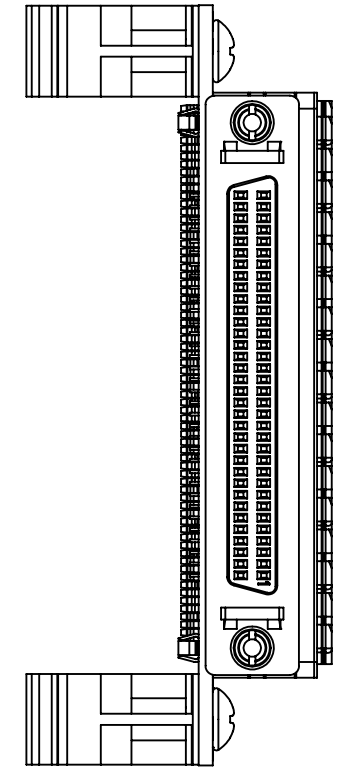
3

2

1

B

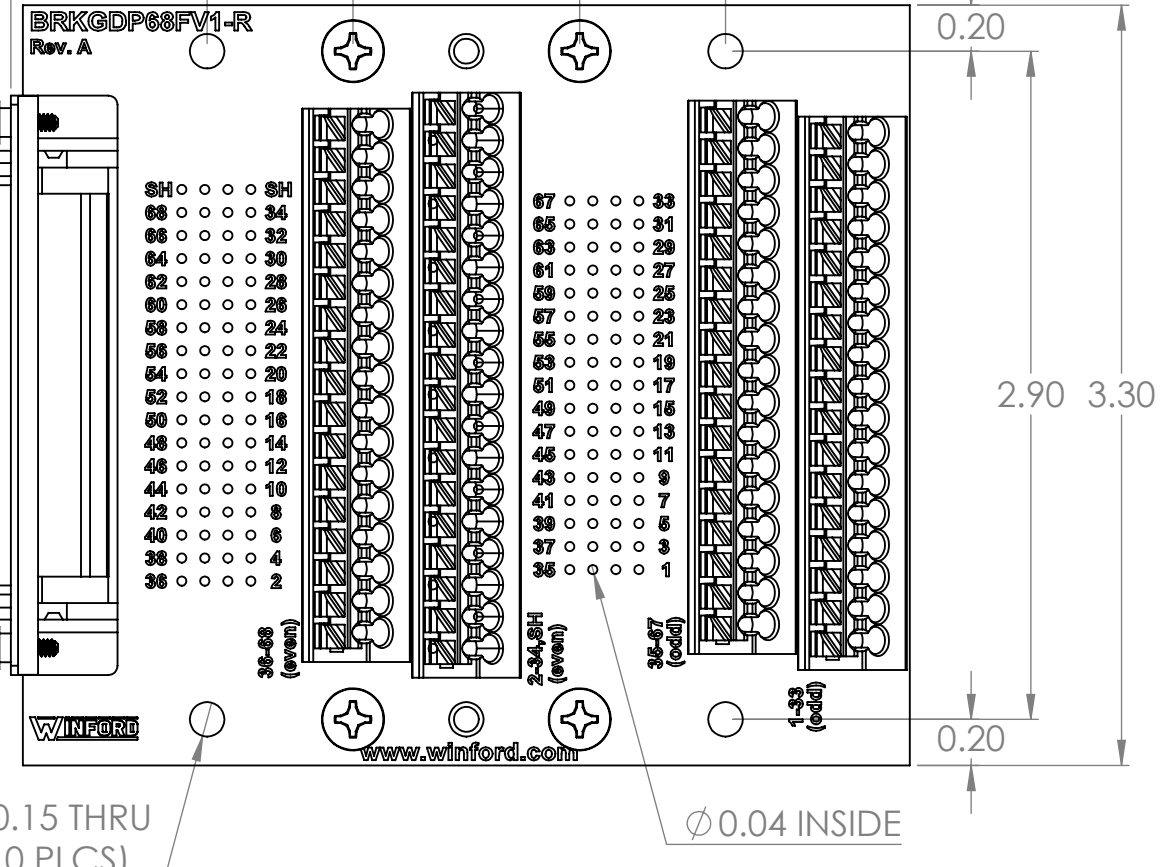
B



#2-56  
Internal Threads

Ø0.15 THRU  
(10 PLCS)

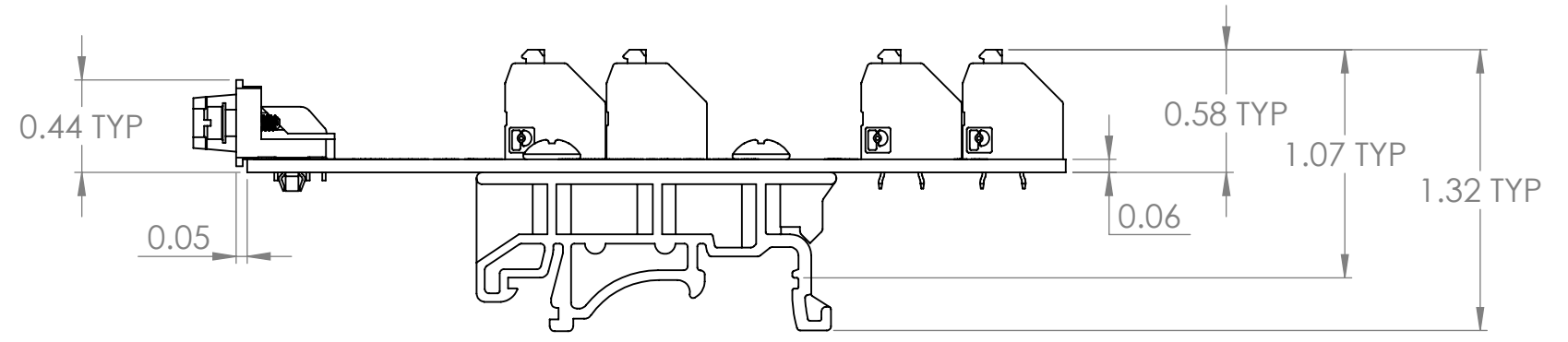
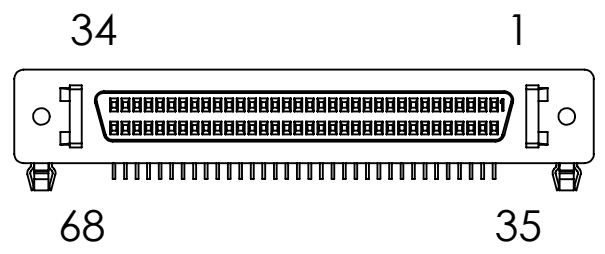
Ø0.04 INSIDE




A

A

Connector Pinout  
(Female)



DIM: INCH	DATE: 12/19/2022	RoHS COMPLIANT: Yes	DESCRIPTION:
 WINFORD ENGINEERING, LLC 4561 GARFIELD ROAD AUBURN, MI 48611			Half-Pitch DSUB 68-Pin Breakout Board with Spring Terminals
www.winford.com		989-671-9721	PART NUMBER (S) <b>BRKGDP68FV1-R-DIN</b>
			PART REVISION <b>A</b>

4

3

2

1