

4

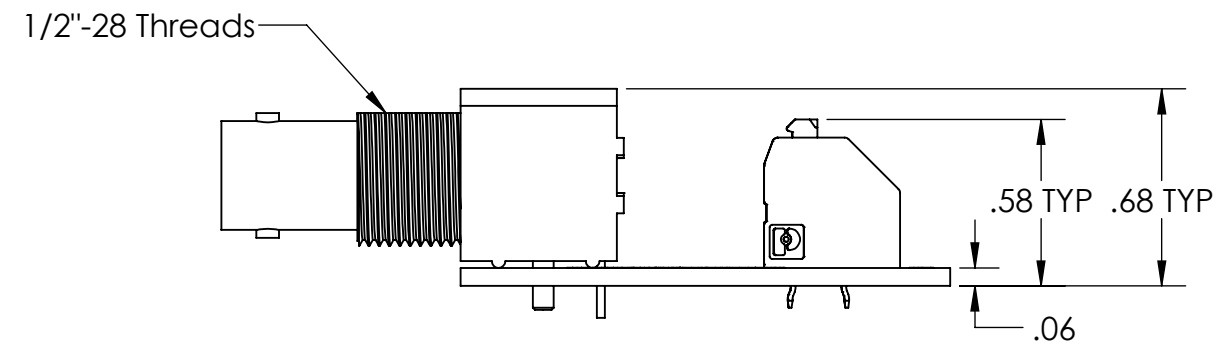
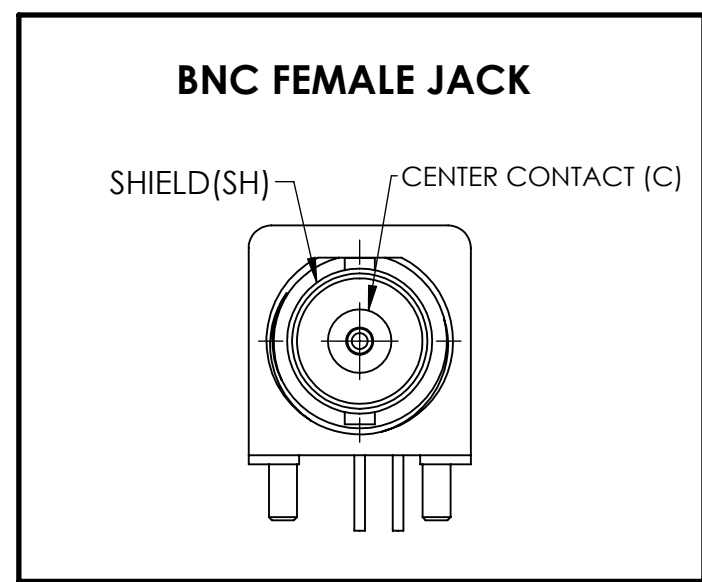
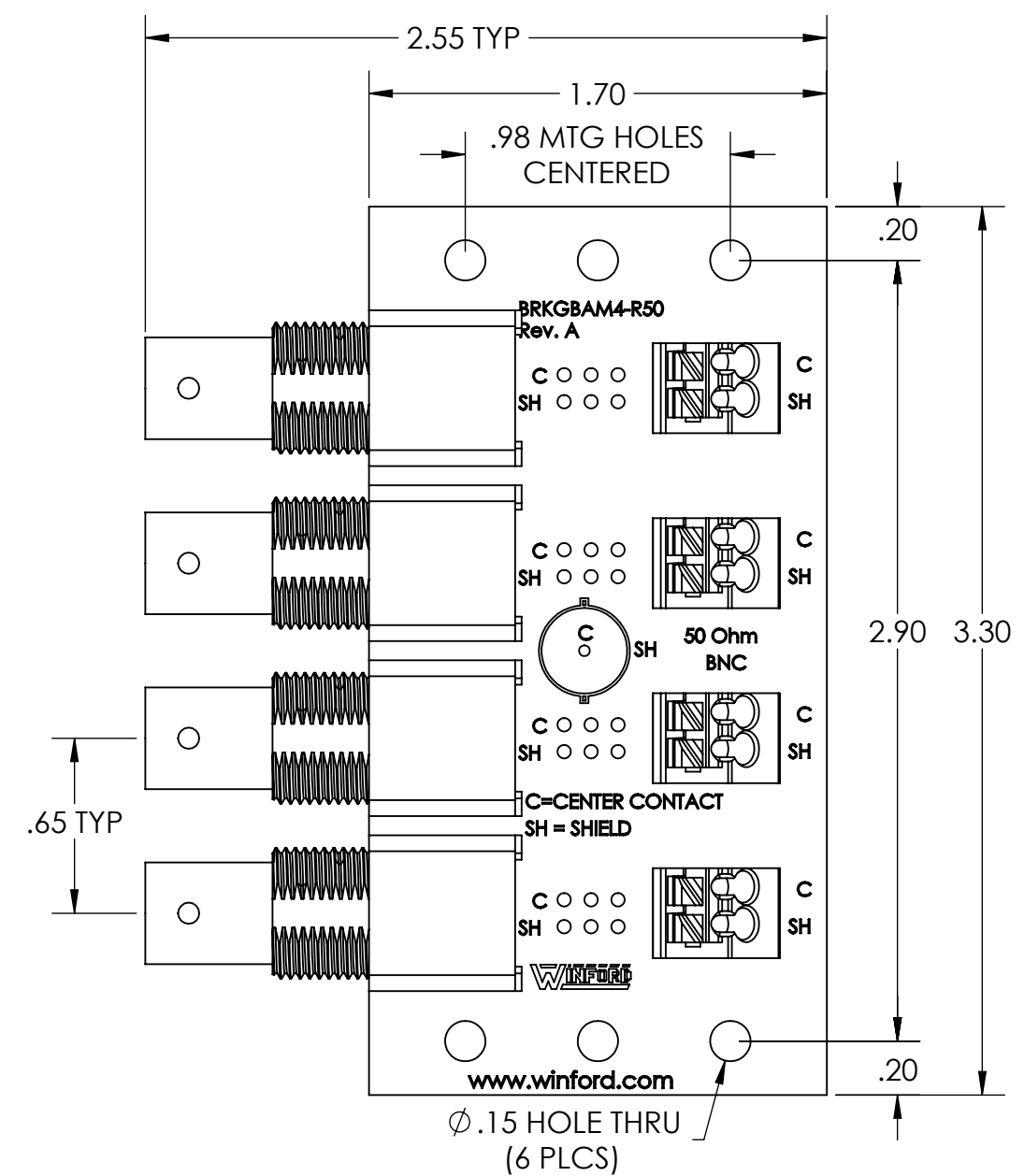
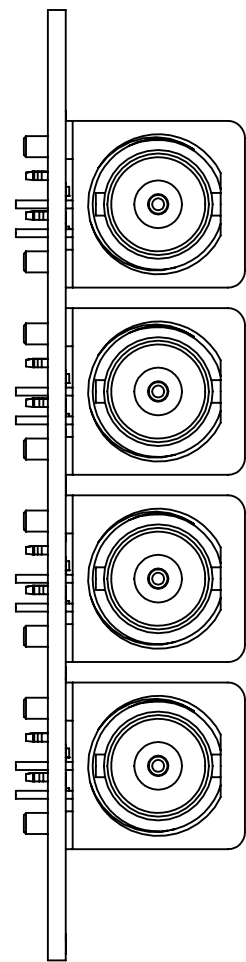
3

2

1


B

B



A

A

DIM: INCH	DATE: 11/10/2019	RoHS COMPLIANT: YES	DESCRIPTION:
 WINFORD ENGINEERING, LLC 4561 GARFIELD ROAD AUBURN, MI 48611			BNC Female Jack Breakout, 4-Pos
www.winford.com		989-671-9721	PART NUMBER (S)
			BRKGBAM4-R50-N
			PART REVISION
			A

4

3

2

1