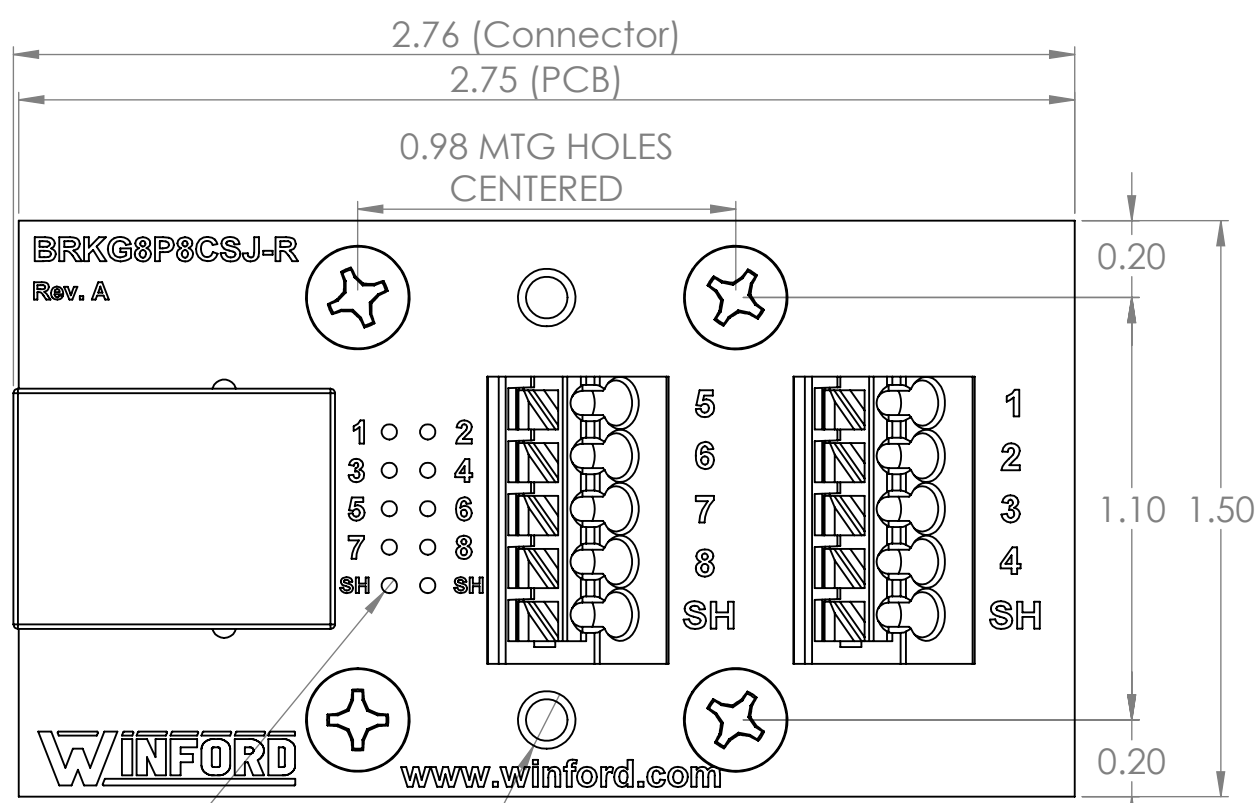
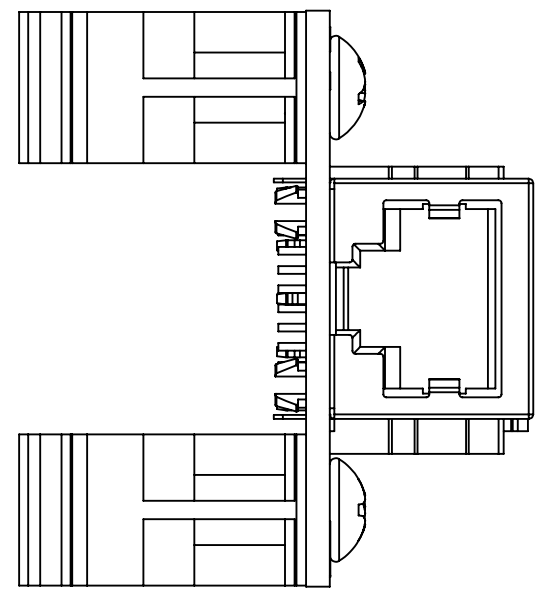


4

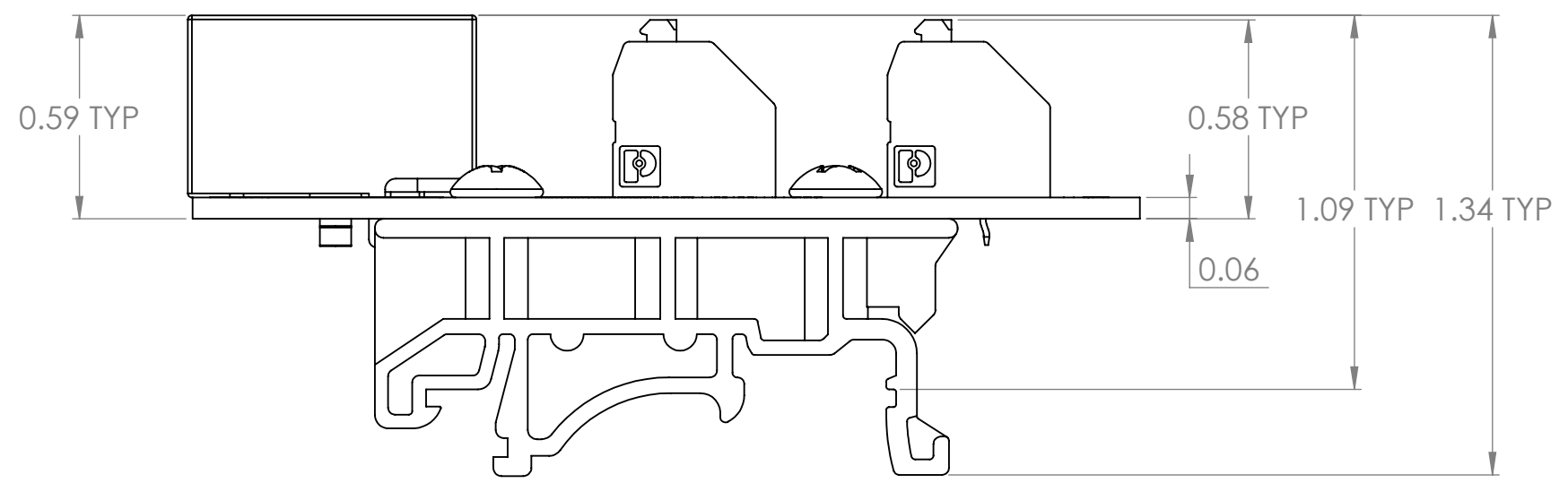
3

2

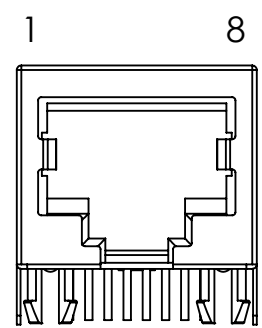
1




$\phi 0.04$ THRU
 $\phi 0.15$ THRU (6 PLCS)



Connector Pinout



DIM: INCH	DATE: 02/13/2021	RoHS COMPLIANT: Yes	DESCRIPTION:
 WINFORD ENGINEERING, LLC 4561 GARFIELD ROAD AUBURN, MI 48611			RJ45 Spring Terminal Breakout Board
www.winford.com		989-671-9721	PART NUMBER (S)
			BRKG8P8CSJ-R-DIN
			PART REVISION
			A

4

3

2

1

B

B

A

A