

4

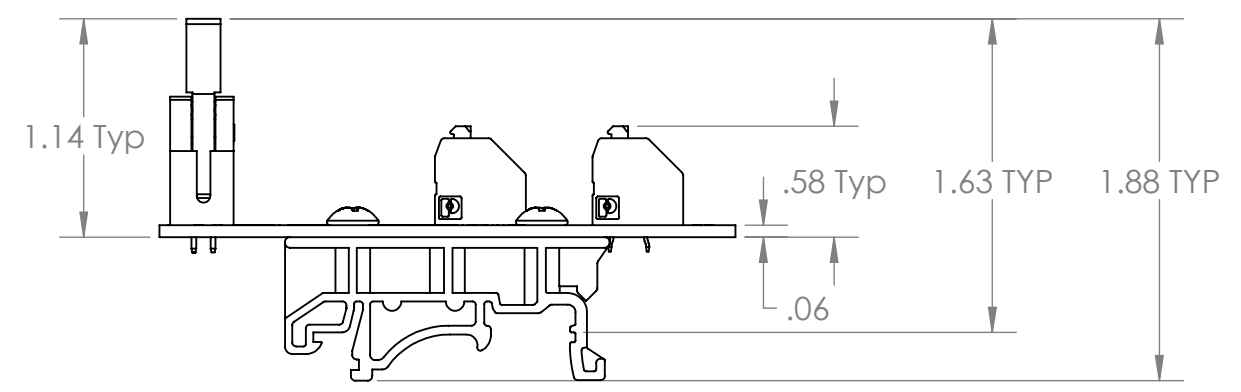
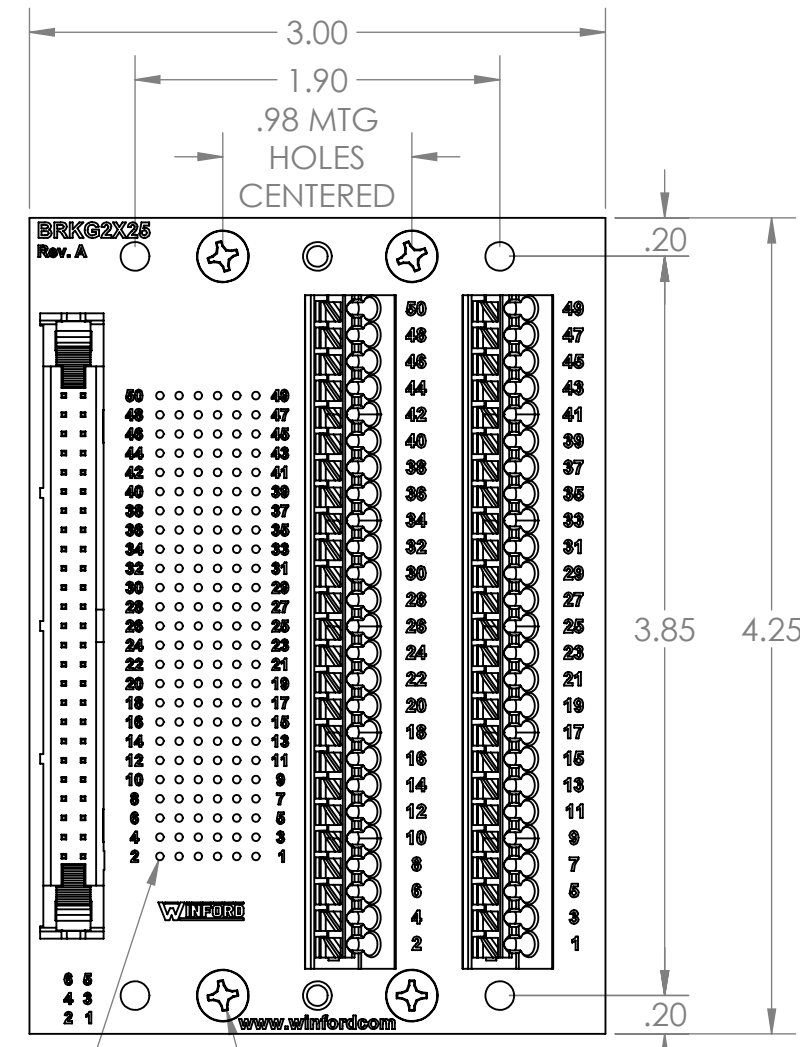
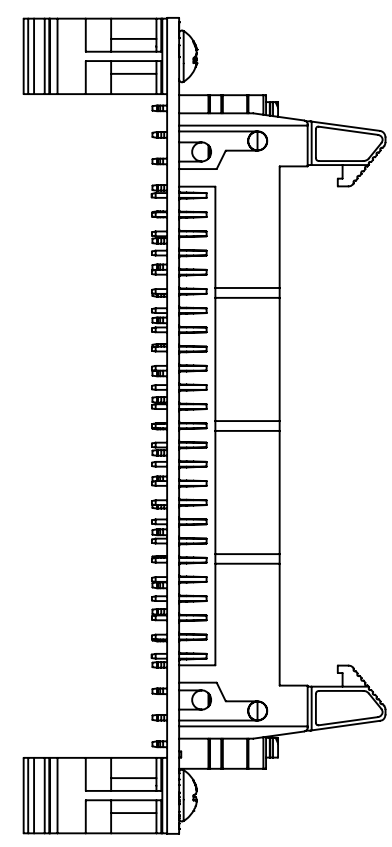
3

2

1

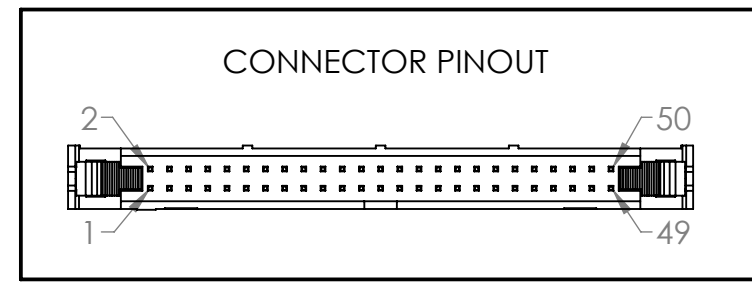
B

B



A

A



DIM: INCH	DATE: 4/18/21	RoHS COMPLIANT: YES	DESCRIPTION: <b>2x25 0.1" Header Breakout</b>
		WINFORD ENGINEERING, LLC 4561 GARFIELD ROAD AUBURN, MI 48611	PART NUMBER (S) <b>BRKG2X25-L-DIN</b>
www.winford.com		989-671-9721	PART REVISION <b>A</b>

4

3

2

1