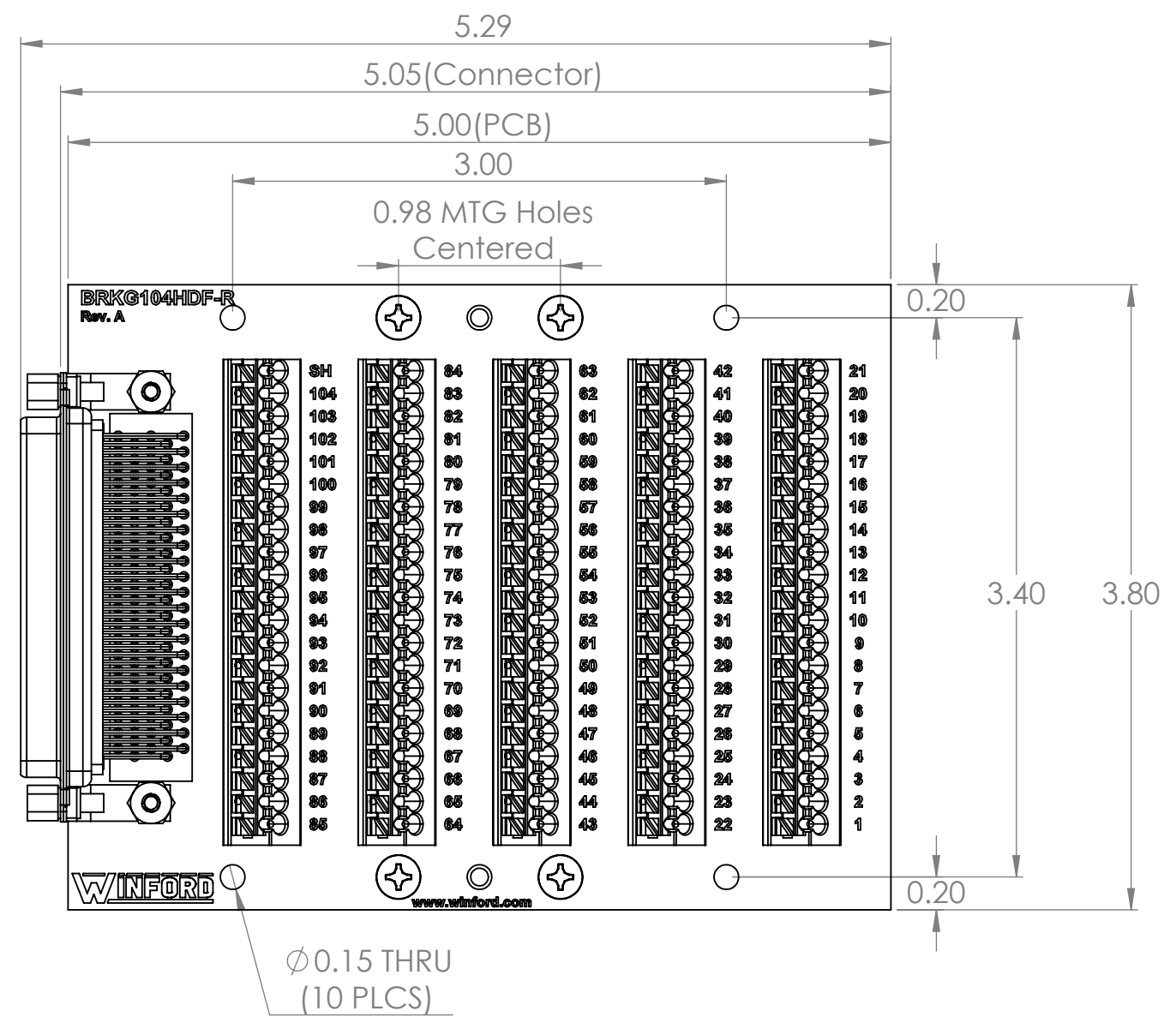
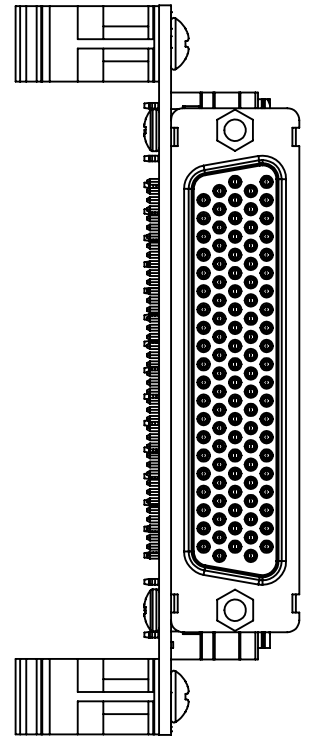


4

3

2

1

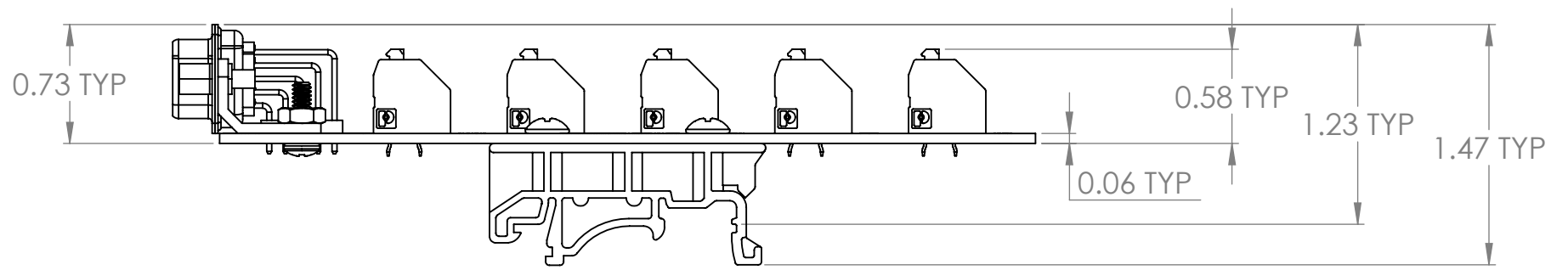


B

B

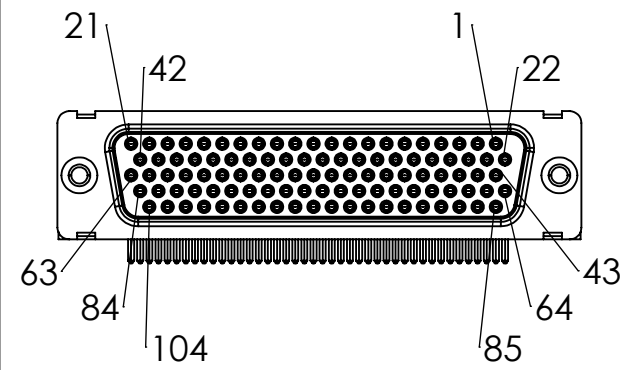
A

A



Connector Pinout

(Female)




4

3

2

1

DIM: INCH	DATE: 08/16/2021	RoHS COMPLIANT: Yes	DESCRIPTION: DB104HD Female Breakout with Spring Terminals	
		WINFORD ENGINEERING, LLC 4561 GARFIELD ROAD AUBURN, MI 48611	PART NUMBER (S) BRKG104HDF-R-DIN	PART REVISION A
www.winford.com		989-671-9721		