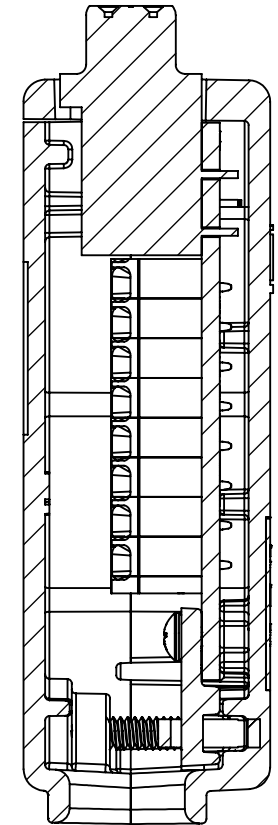
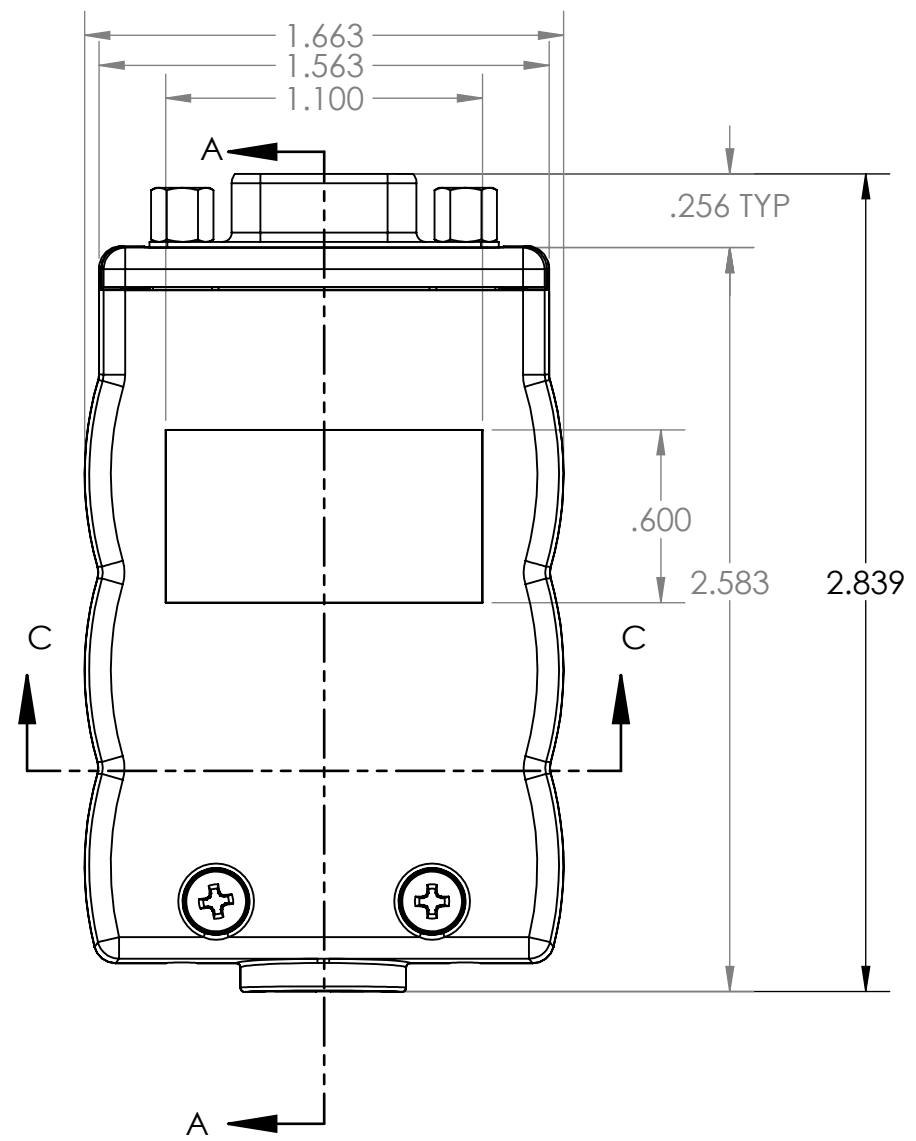


4

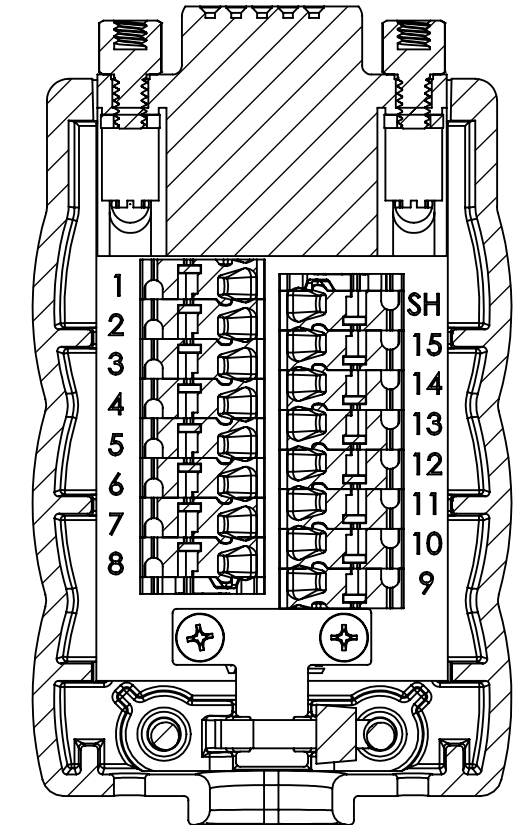
3

2

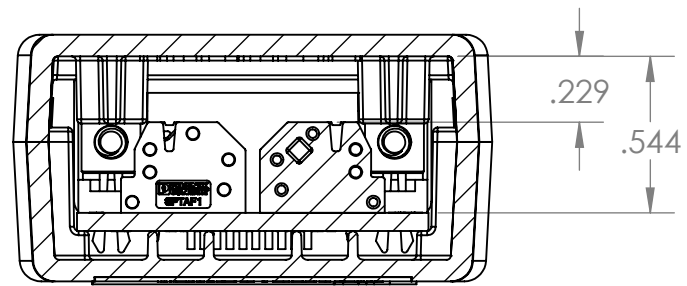
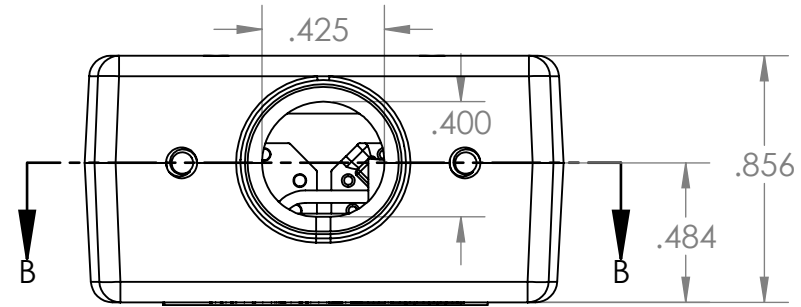
1



SECTION A-A



SECTION B-B




SECTION C-C

B

B

A

A

DIM: INCH	DATE: 11/11/2018	RoHS COMPLIANT: YES	DESCRIPTION: DB15 HD Breakout Board W/ Enclosure
 WINFORD ENGINEERING, LLC 4561 GARFIELD ROAD AUBURN, MI 48611		PART NUMBER (S) <b>BRKEGD15HDF-R</b>	PART REVISION <b>A</b>
www.winford.com		989-671-9721	

4

3

2

1