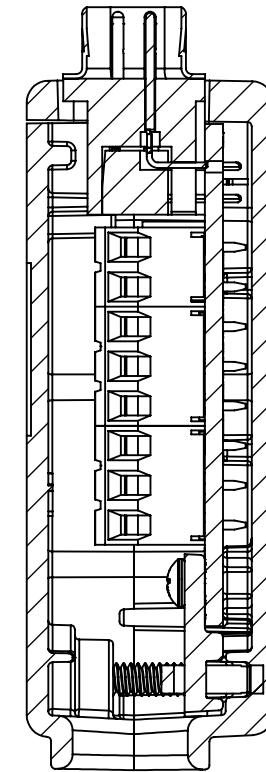
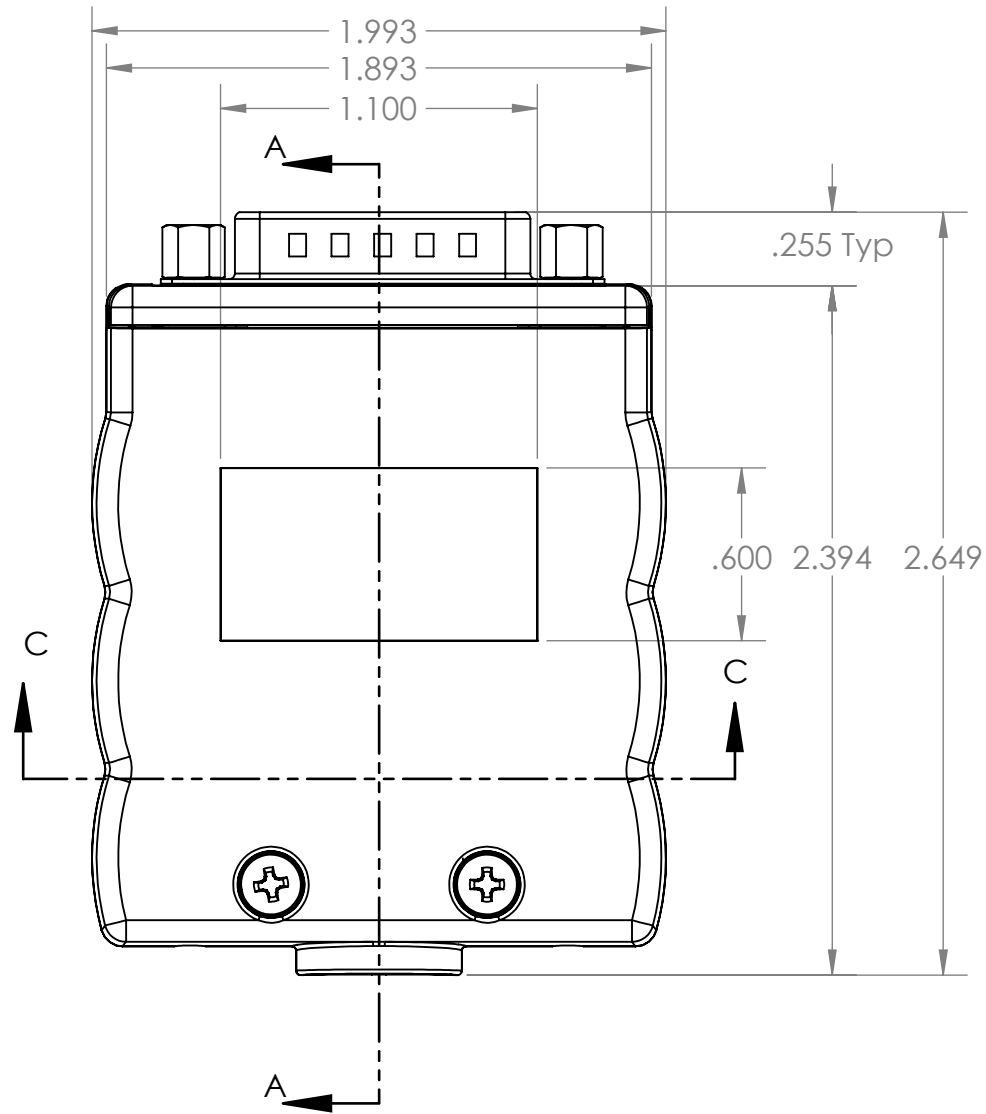


4

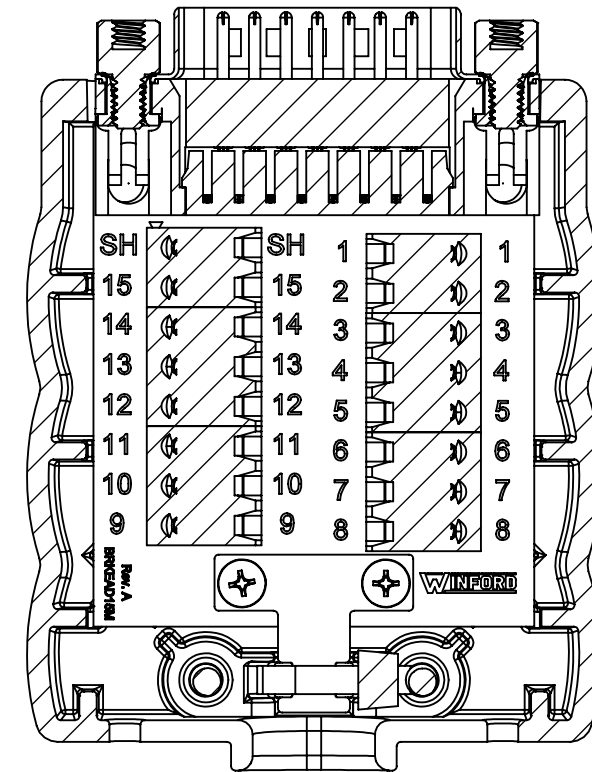
3

2

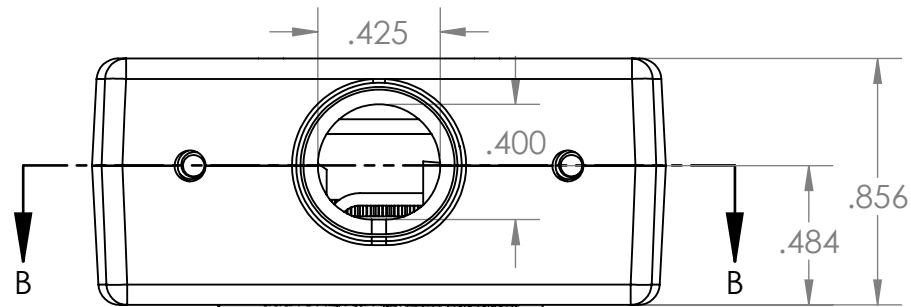
1




SECTION A-A



SECTION B-B



SECTION C-C

DIM: INCH	DATE: 11/14/2021	RoHS COMPLIANT: YES	DESCRIPTION: DB15 Breakout Board W/ Enclosure
 WINFORD ENGINEERING, LLC 4561 GARFIELD ROAD AUBURN, MI 48611			PART NUMBER (S) BRKEAD15M-R
www.winford.com		989-671-9721	PART REVISION A

4

3

2

1

B

B

A

A