

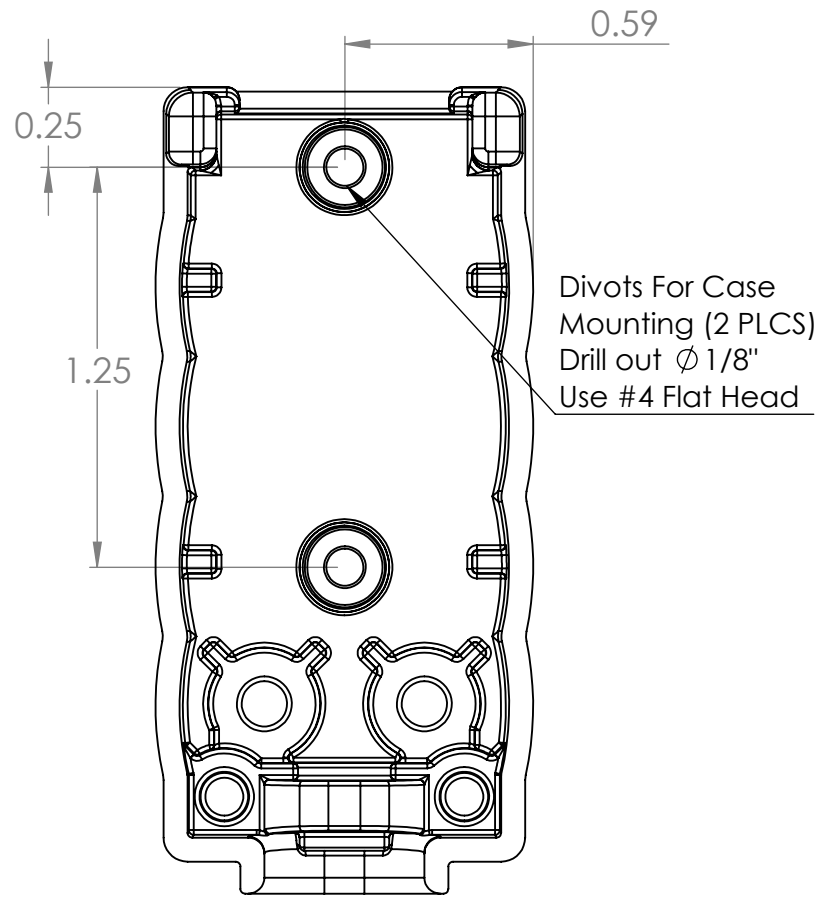
4

3

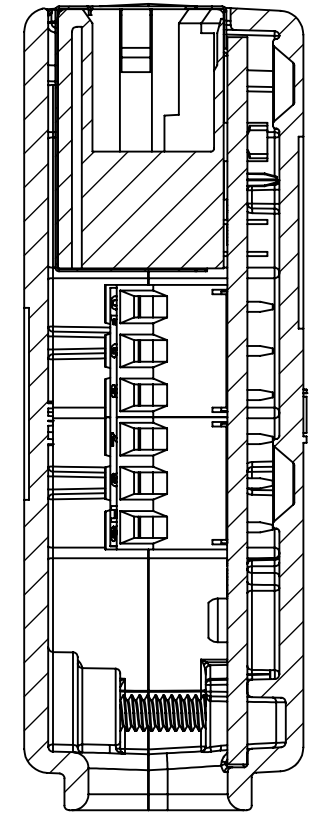
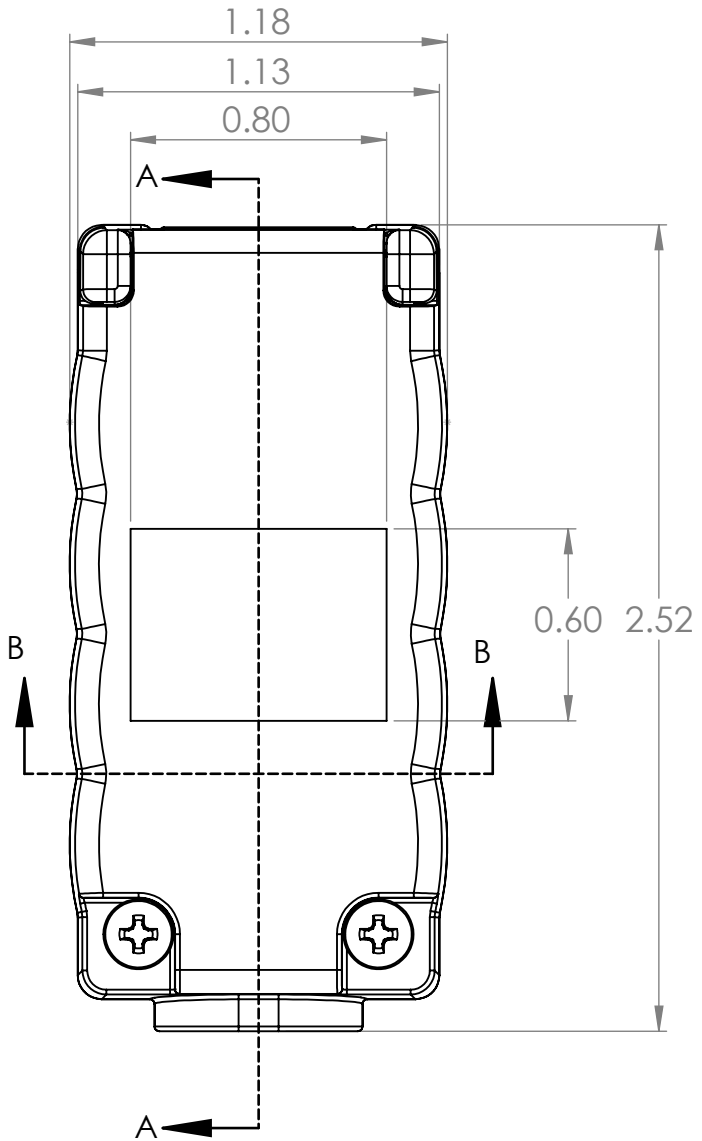
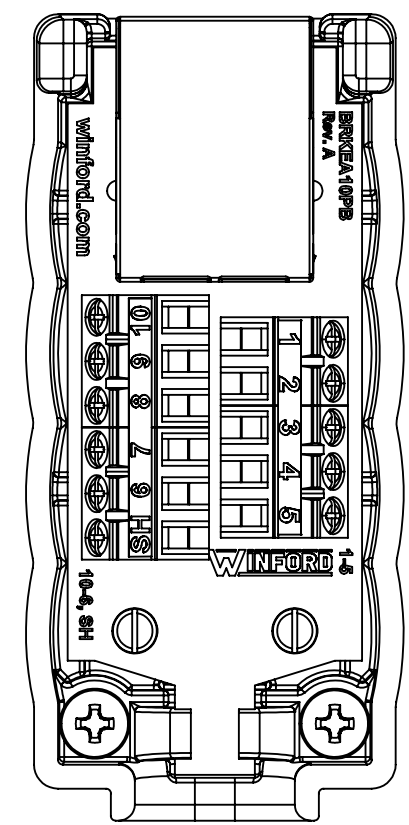
2

1

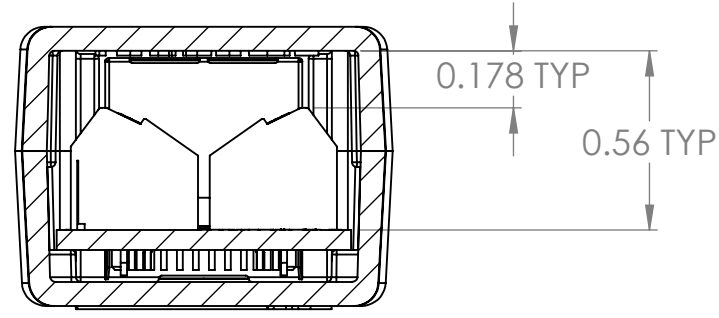
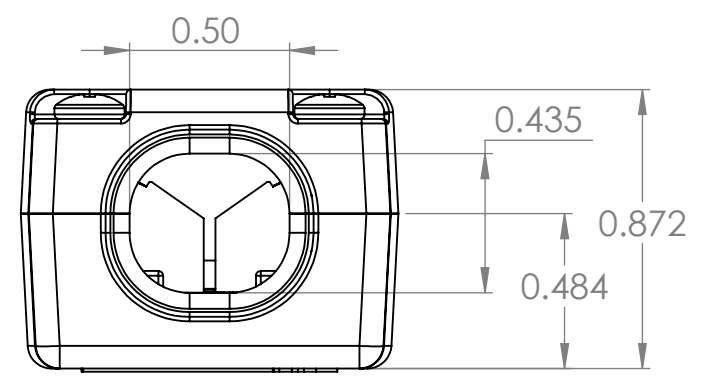
Base, Without Board Installed



Base, With Board Installed

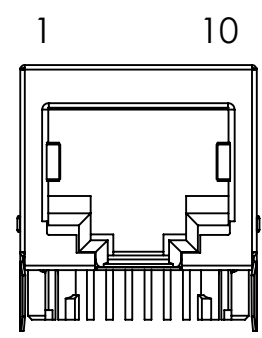



SECTION A-A



SECTION B-B

Connector Pinout



DIM: INCH	DATE: 01/24/2023	RoHS COMPLIANT: Yes	DESCRIPTION: RJ50 Breakout Board W/ Enclosure	
		WINFORD ENGINEERING, LLC 4561 GARFIELD ROAD AUBURN, MI 48611	PART NUMBER (S) <b>BRKEA10PB-N</b>	PART REVISION <b>A</b>
www.winford.com		989-671-9721		

4

3

2

1

B

B

A

A