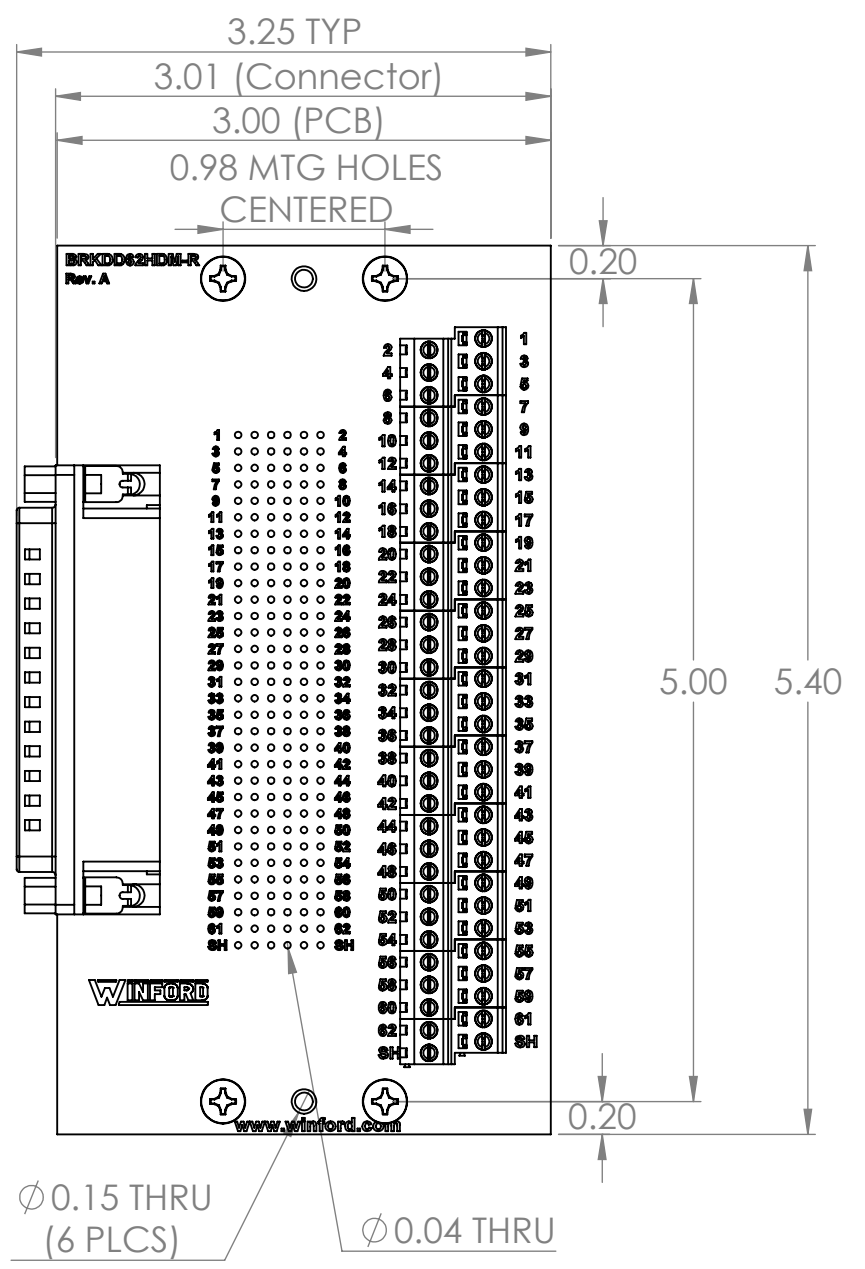
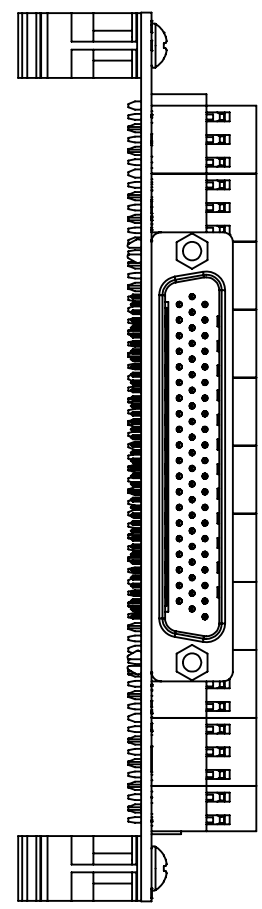


4

3

2

1

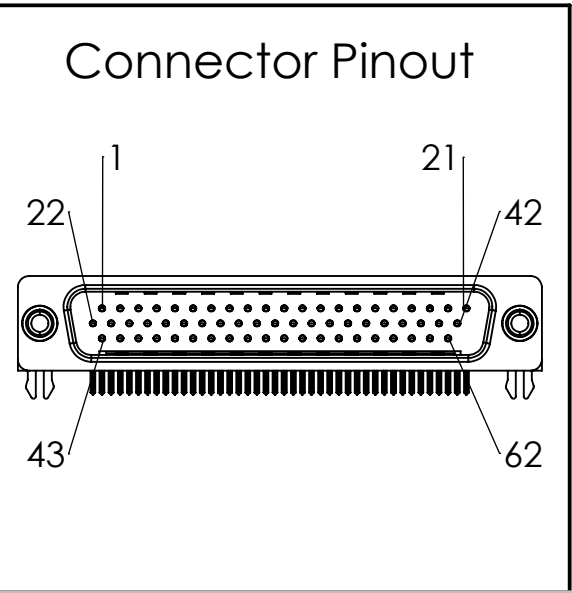
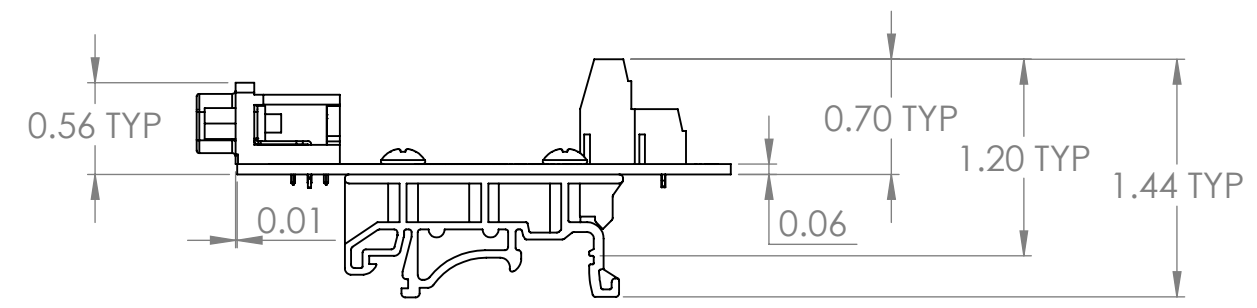


B

B

A

A




4

3

2

1

DIM: INCH	DATE: 03/16/2021	RoHS COMPLIANT: Yes	DESCRIPTION: 62 Pin D-Sub Connector Breakout Board
 WINFORD ENGINEERING, LLC 4561 GARFIELD ROAD AUBURN, MI 48611			PART NUMBER (S) <b>BRKDD62HDM-R-DIN</b>
www.winford.com		989-671-9721	PART REVISION <b>A</b>