

4

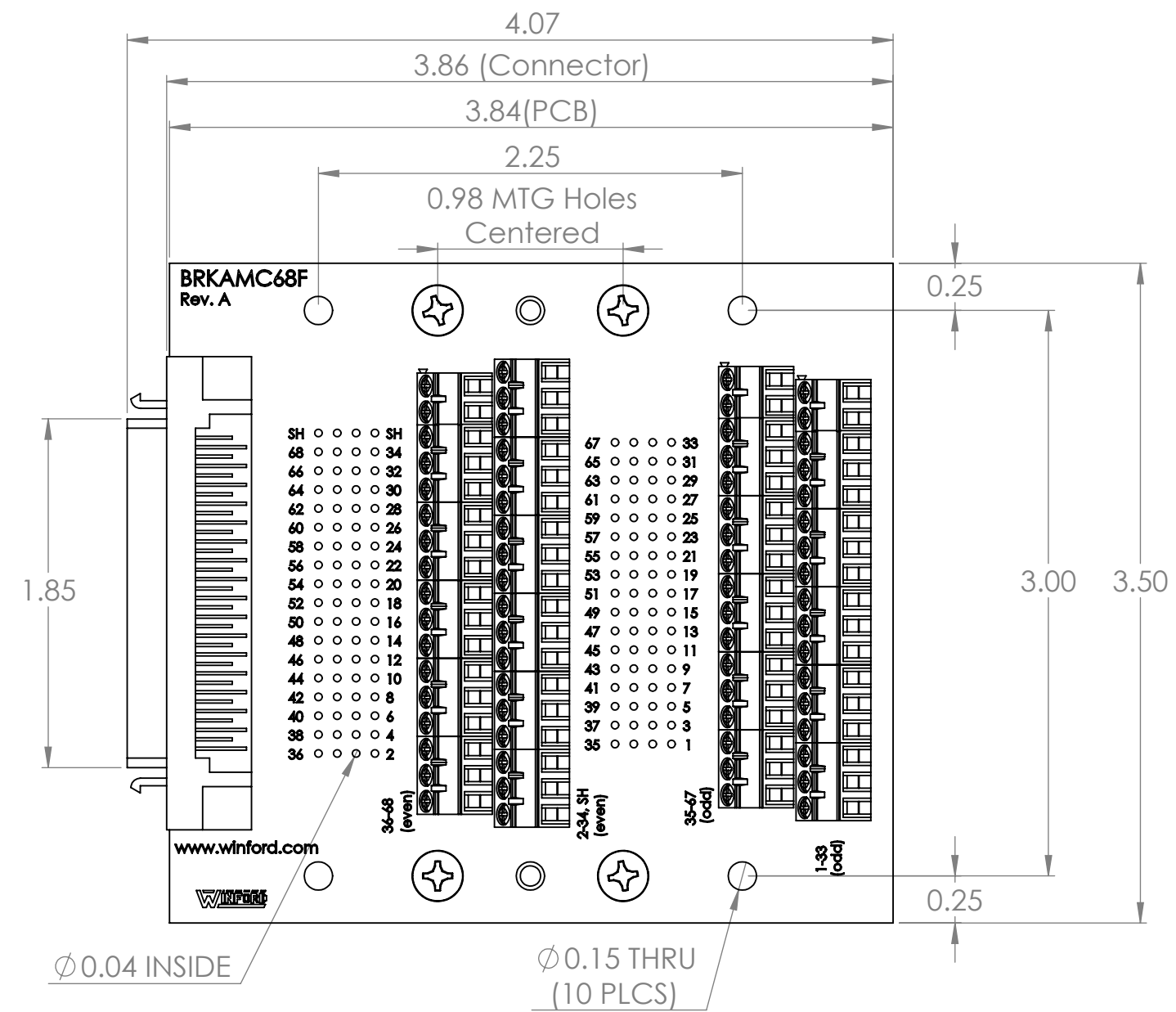
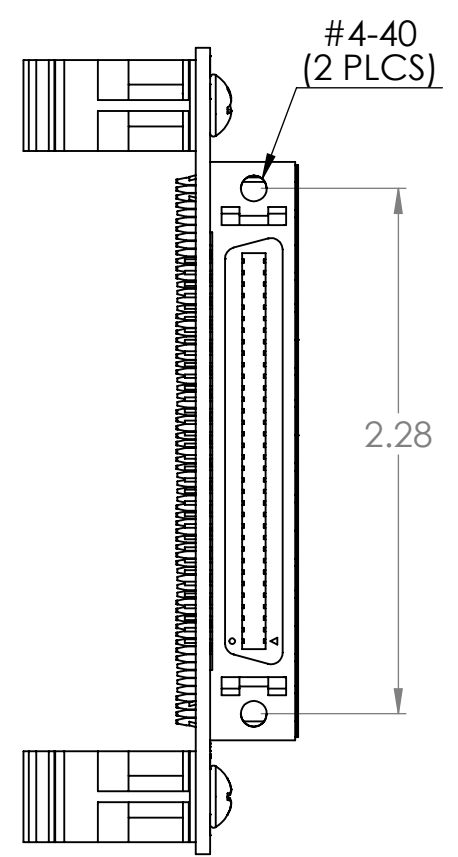
3

2

1

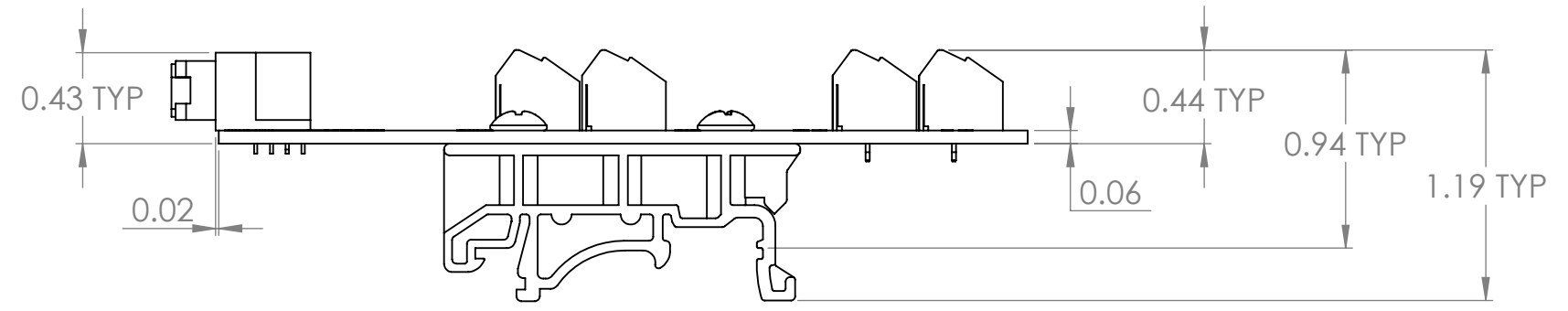
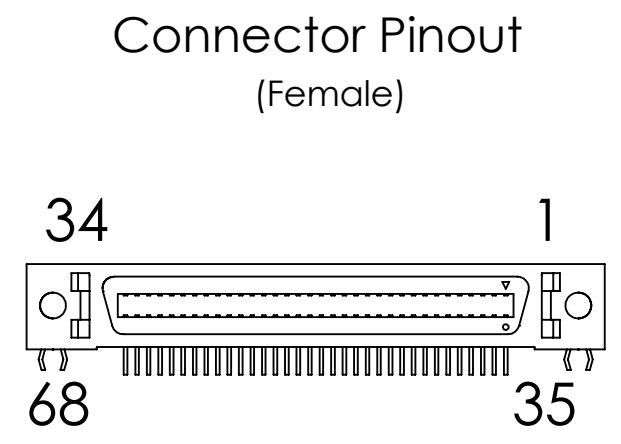
B

B



A

A



DIM: INCH	DATE: 02/17/2023	RoHS COMPLIANT: Yes	DESCRIPTION: MDR (Mini D Ribbon) 68-Pin Female Breakout Board
WINFORD ENGINEERING, LLC 4561 GARFIELD ROAD AUBURN, MI 48611			PART NUMBER (S) BRKAMC68F-R4-DIN
www.winford.com			PART REVISION A
989-671-9721			

4

3

2

1