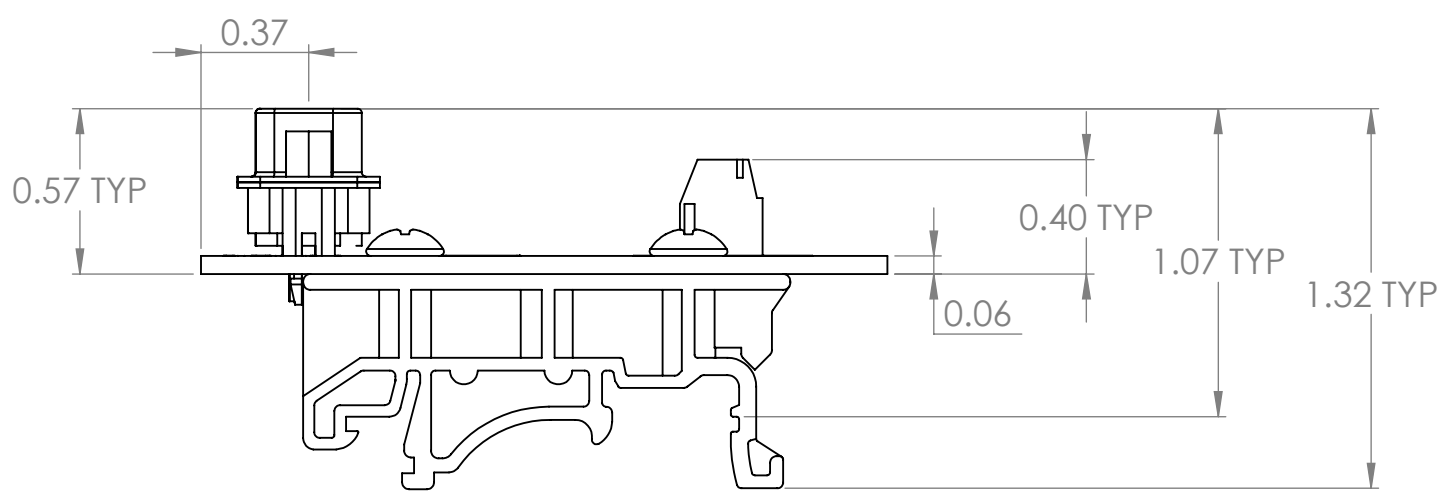
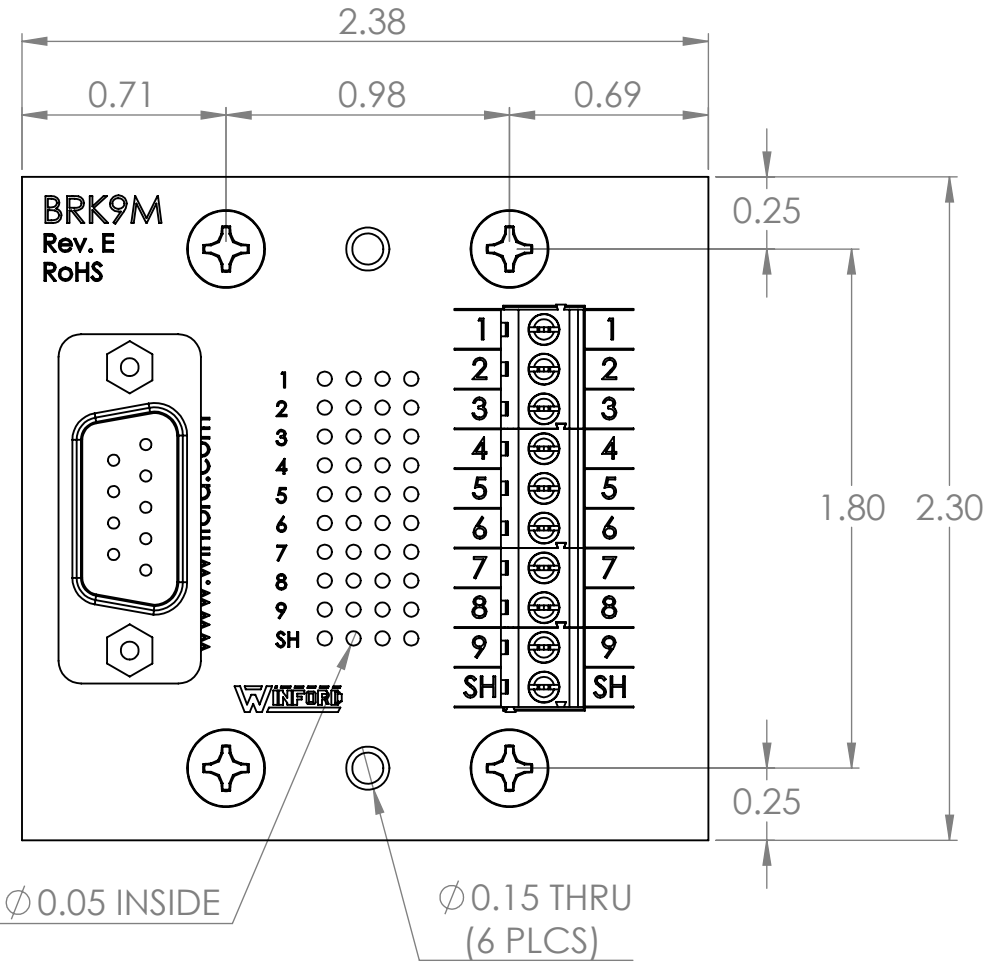
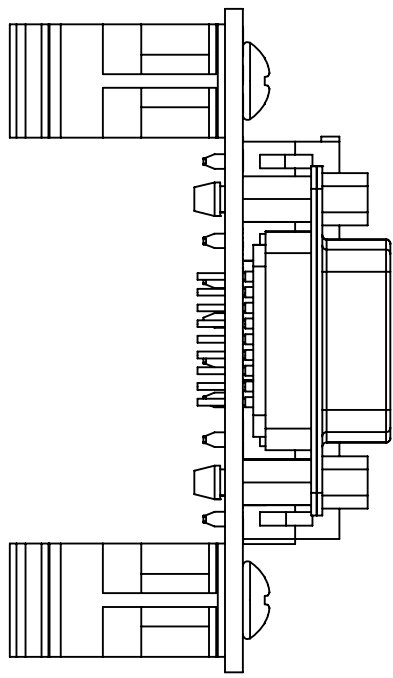


4

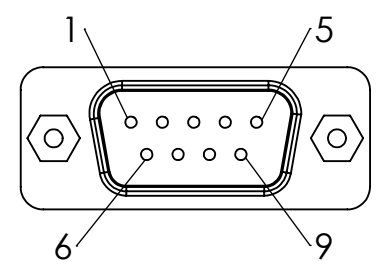
3


2

1



Connector Pinout



DIM: INCH	DATE: 07/28/2021	RoHS COMPLIANT: Yes	DESCRIPTION:
 WINFORD ENGINEERING, LLC 4561 GARFIELD ROAD AUBURN, MI 48611			<b>DB9 Male Breakout Board</b>
www.winford.com		989-671-9721	PART NUMBER (S) <b>BRK9M-S-DIN</b>
			PART REVISION <b>E</b>

4

3

2

1

B

B

A

A