

4

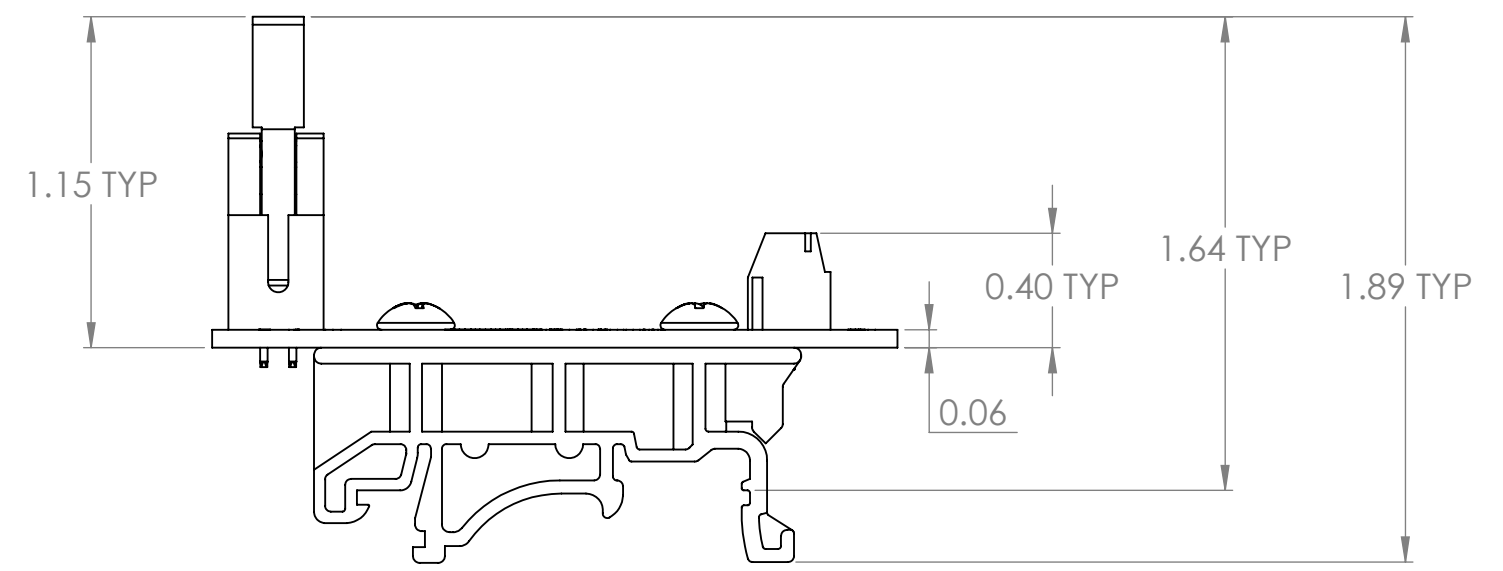
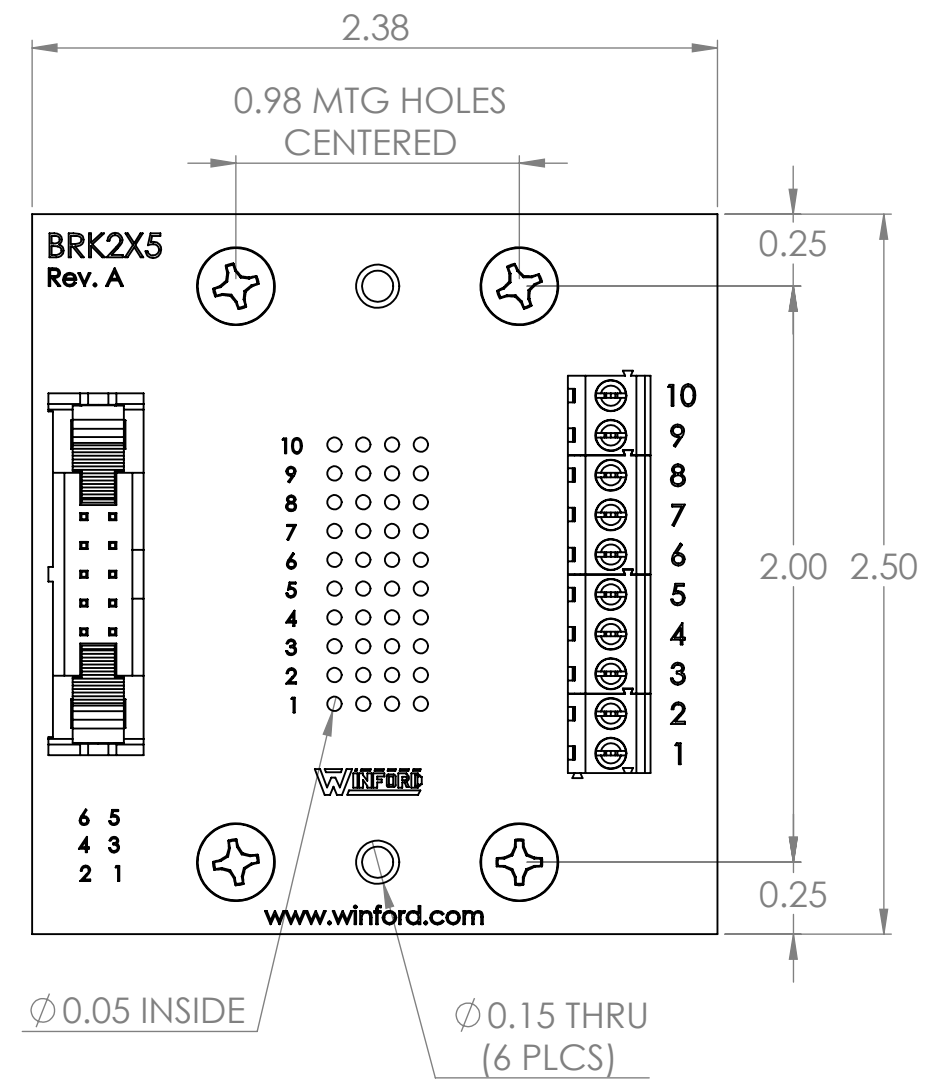
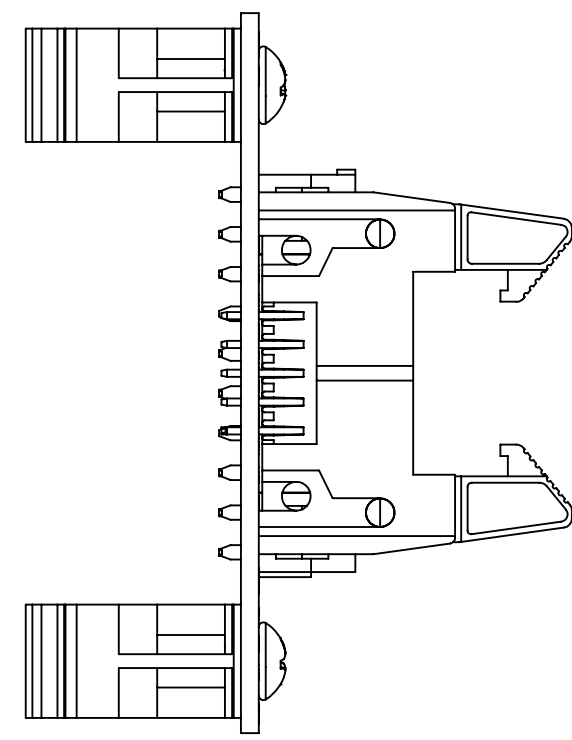
3

2

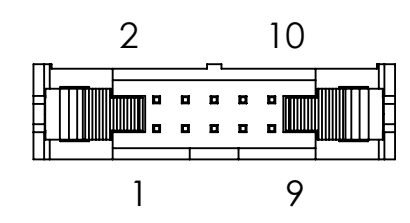
1

B

B




Connector Pinout



A

A

DIM: INCH	DATE: 06/28/2021	RoHS COMPLIANT: Yes	DESCRIPTION:
 WINFORD ENGINEERING, LLC 4561 GARFIELD ROAD AUBURN, MI 48611			2x5 0.1" Header Breakout Board
www.winford.com		989-671-9721	PART NUMBER (S)
			BRK2X5-L-DIN
			PART REVISION
			A

4

3

2

1