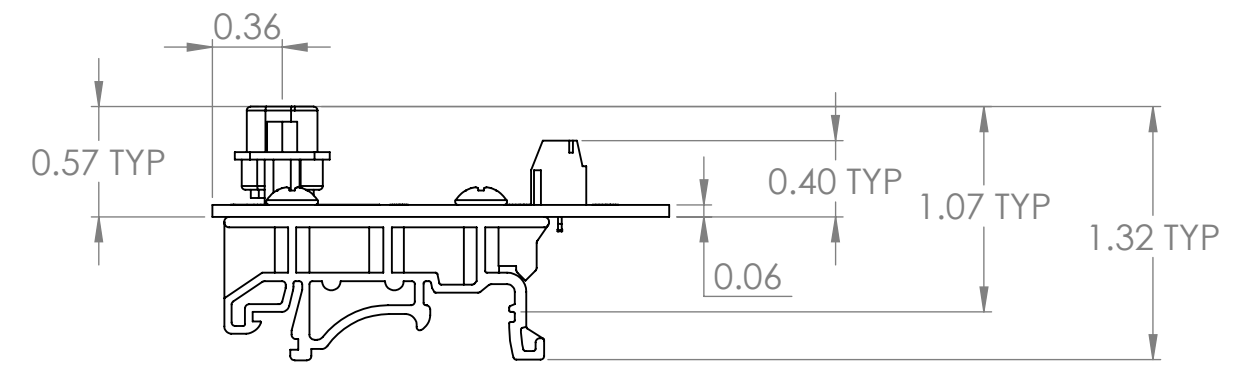
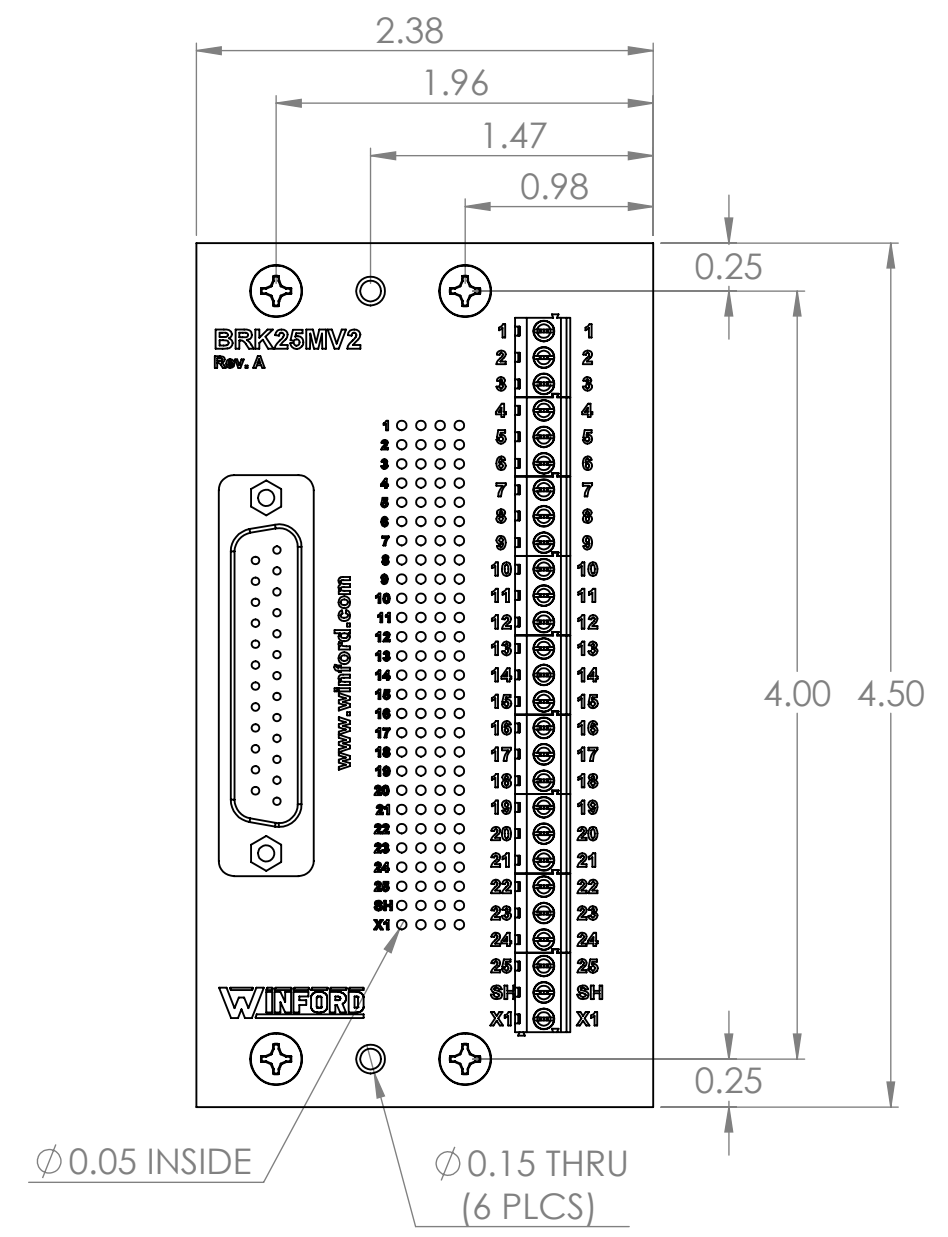
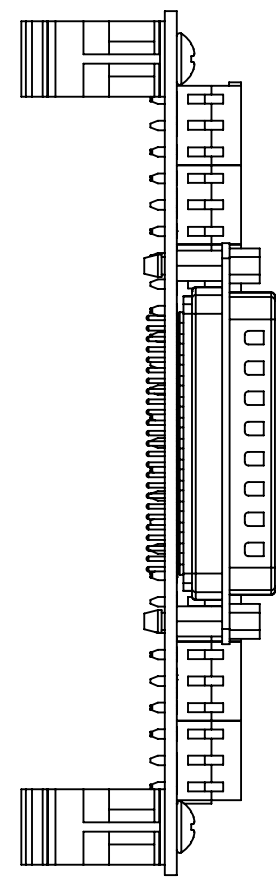


4

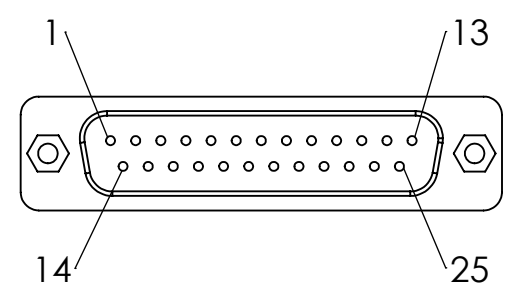
3


2

1



Connector Pinout



|  |                  |  |   |
|--|------------------|--|---|
| DIM: INCH  | DATE: 06/11/2021 | RoHS COMPLIANT: Yes                      | DESCRIPTION:<br>DB25 Male Screw Terminal Breakout Board |
|  WINFORD ENGINEERING, LLC<br>4561 GARFIELD ROAD<br>AUBURN, MI 48611 |                  | PART NUMBER (S)<br><b>BRK25MV2-S-DIN</b> | PART REVISION<br><b>A</b>                               |
| www.winford.com  |                  | 989-671-9721                             |   |

4

3

2

1

B

B

A

A