

4

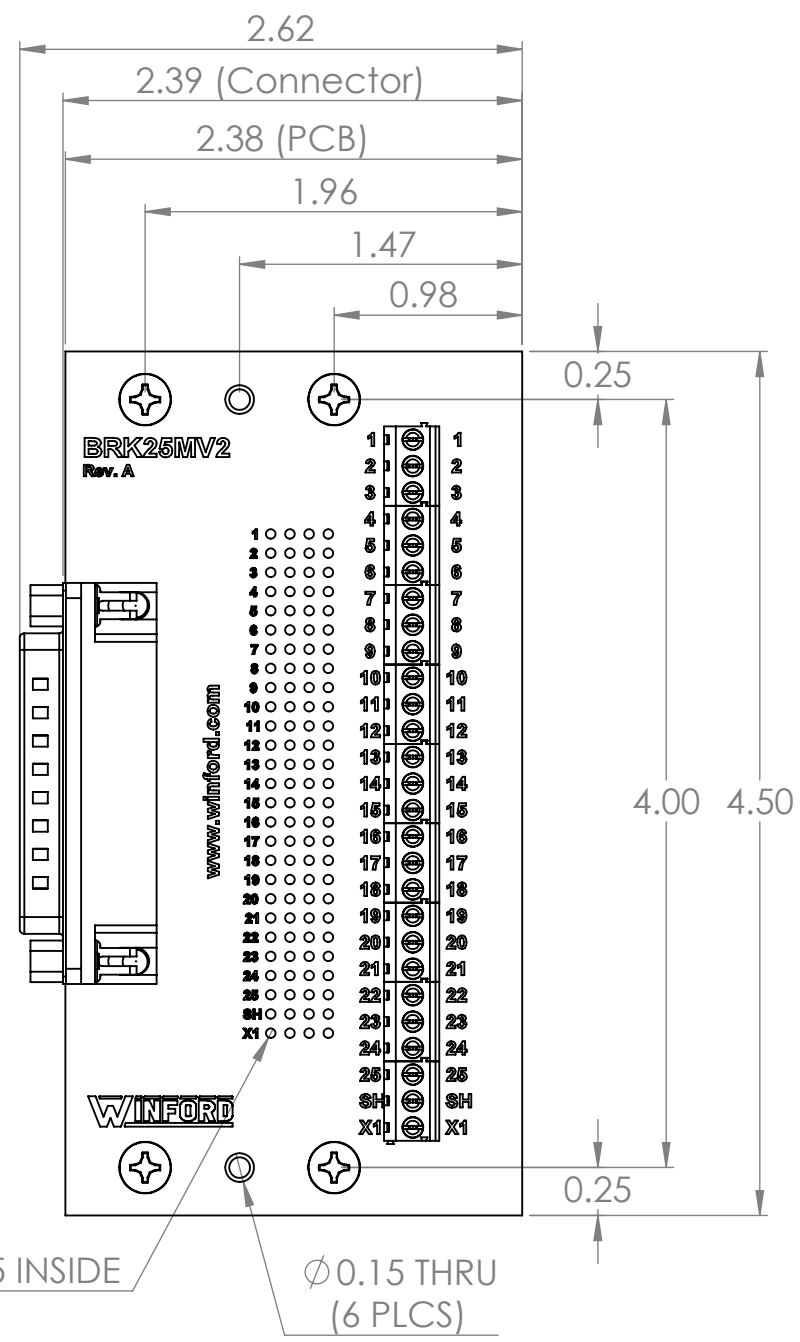
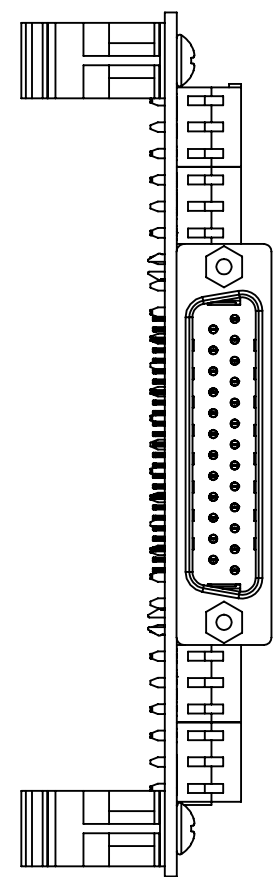
3

2

1

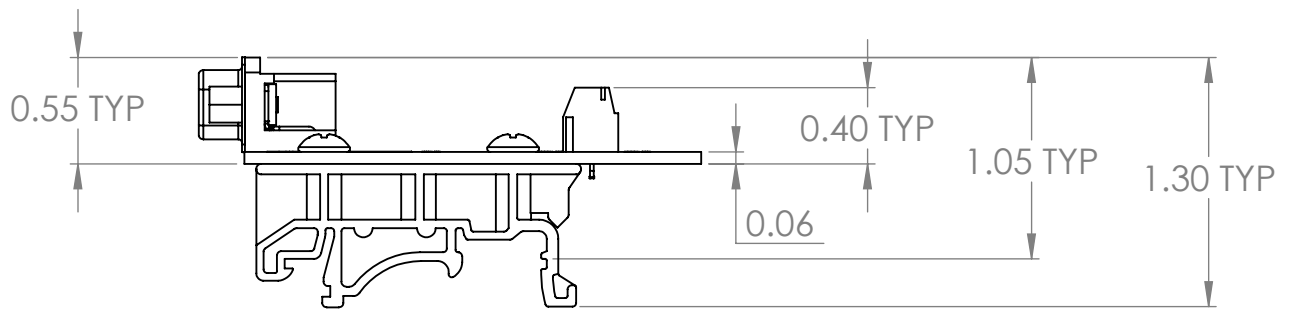
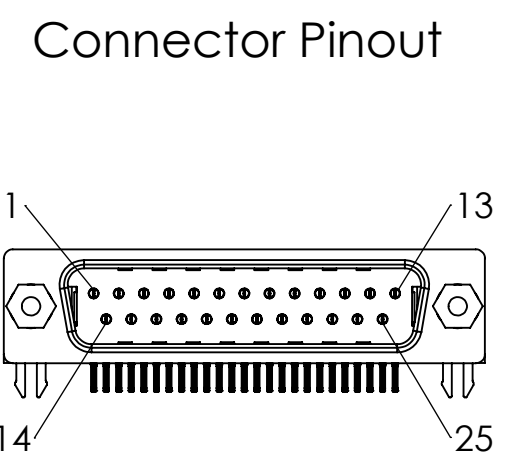
B


B



A

A



DIM: INCH	DATE: 06/11/2021	RoHS COMPLIANT: Yes	DESCRIPTION: DB25 Male Screw Terminal Breakout Board
 WINFORD ENGINEERING, LLC 4561 GARFIELD ROAD AUBURN, MI 48611		PART NUMBER (S) <b>BRK25MV2-R-DIN</b>	PART REVISION <b>A</b>
www.winford.com		989-671-9721	

4

3

2

1