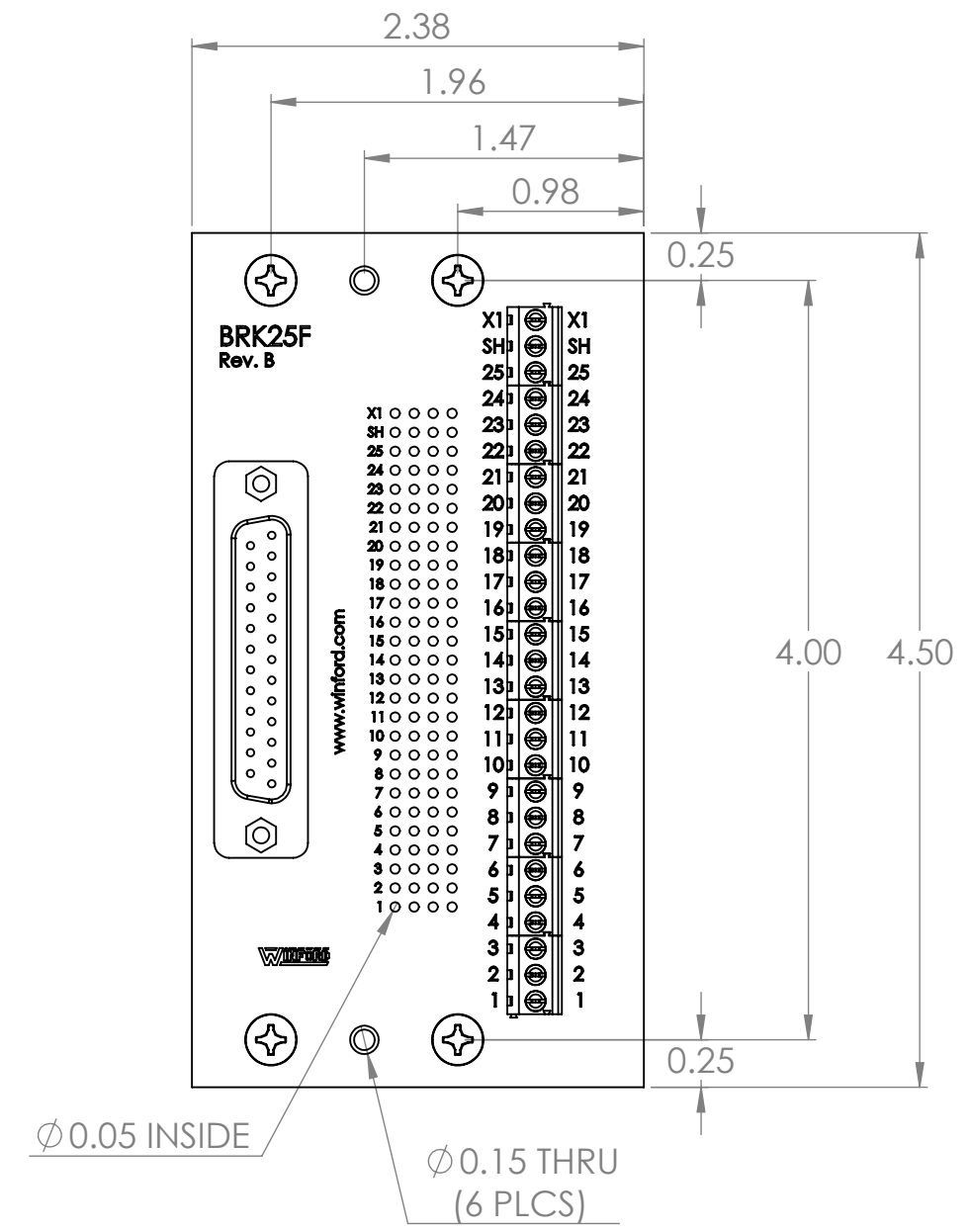
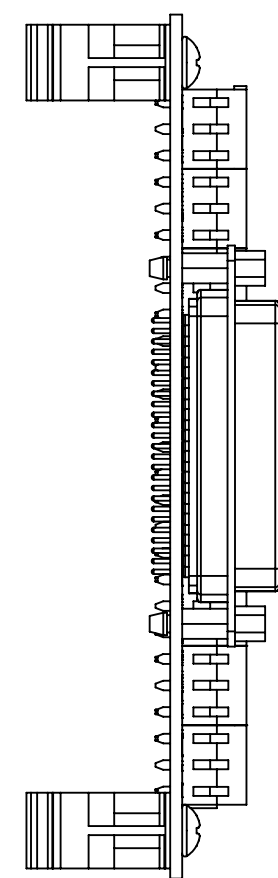


4

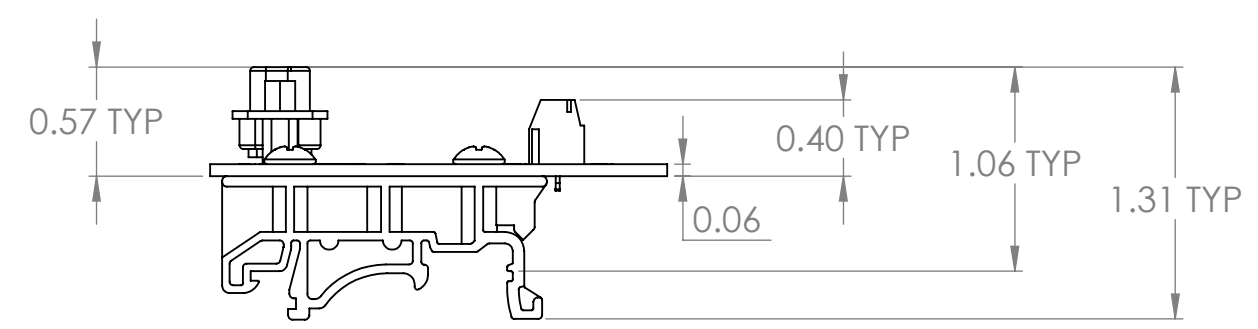
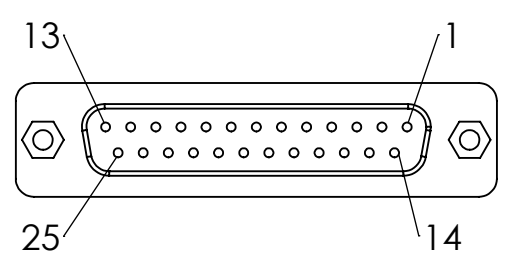
3


2

1



### Connector Pinout



DIM: INCH	DATE: 05/26/2021	RoHS COMPLIANT: Yes	DESCRIPTION: DB25 Female Screw Terminal Breakout Board
 WINFORD ENGINEERING, LLC 4561 GARFIELD ROAD AUBURN, MI 48611		PART NUMBER (S) <b>BRK25F-S-DIN</b>	PART REVISION <b>B</b>
www.winford.com		989-671-9721	

4

3

2

1