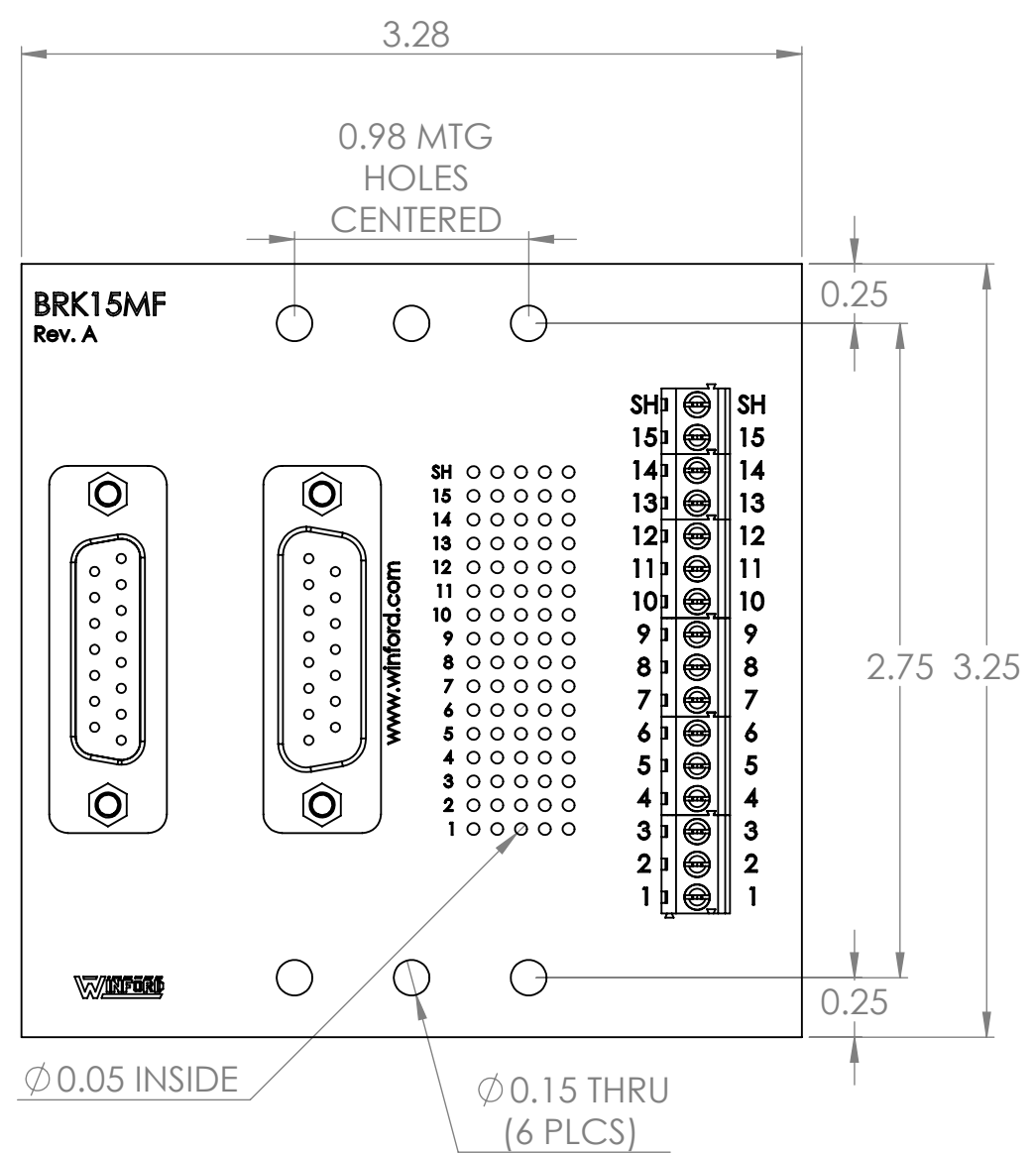
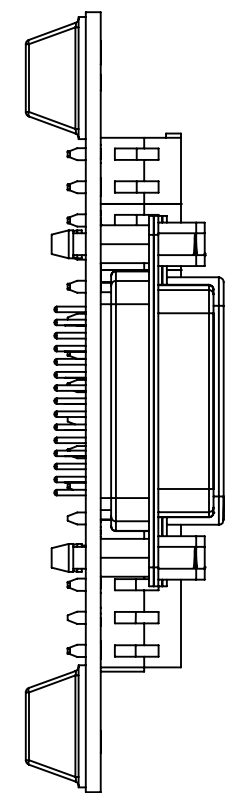


4

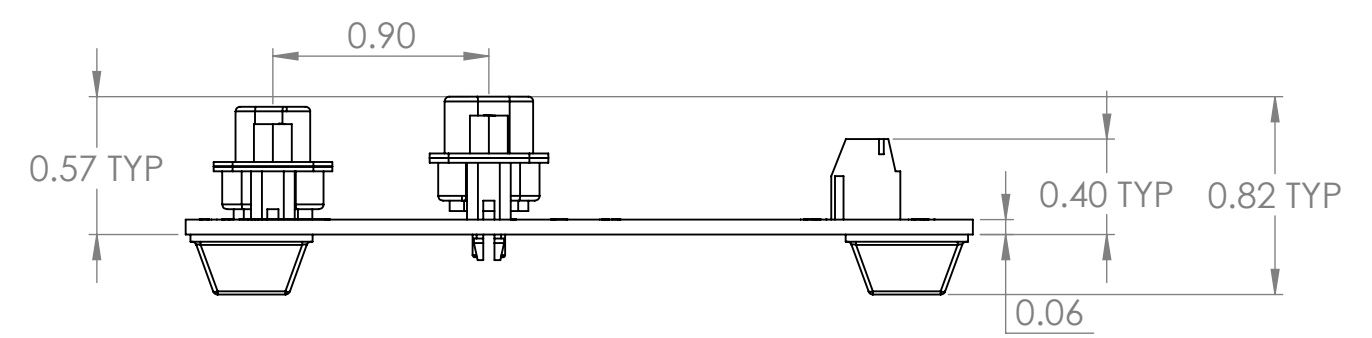
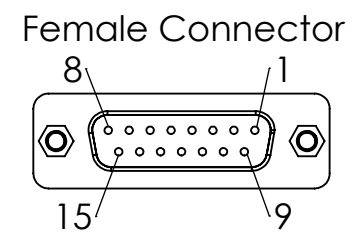
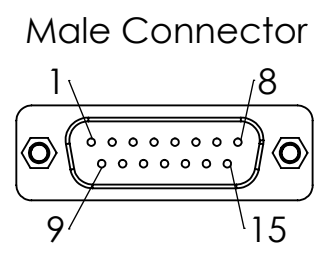
3


2

1



Connector Pinout



DIM: INCH	DATE: 11/20/2020	RoHS COMPLIANT: YES	DESCRIPTION: DB15 Male Female Screw Terminal Breakout Board
 WINFORD ENGINEERING, LLC 4561 GARFIELD ROAD AUBURN, MI 48611			PART NUMBER (S) BRK15MF-S-FT
www.winford.com		989-671-9721	PART REVISION A

4

3

2

1

B

B

A

A