

4

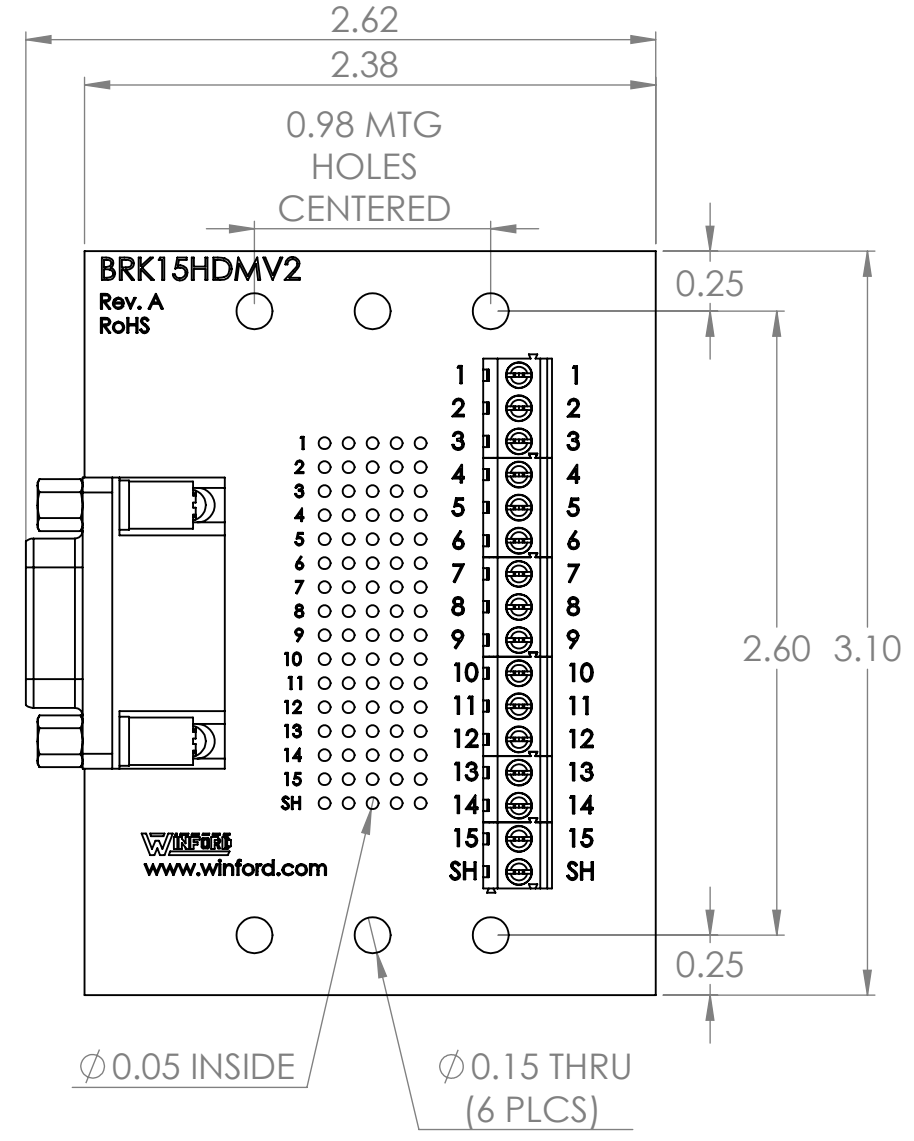
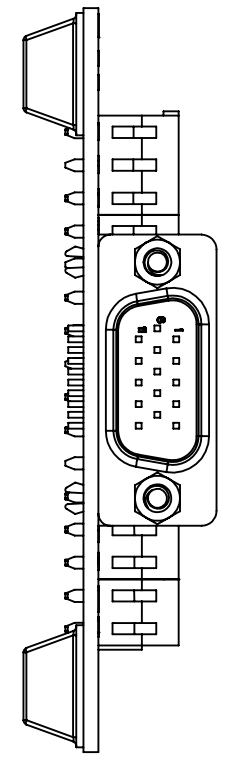
3

2

1

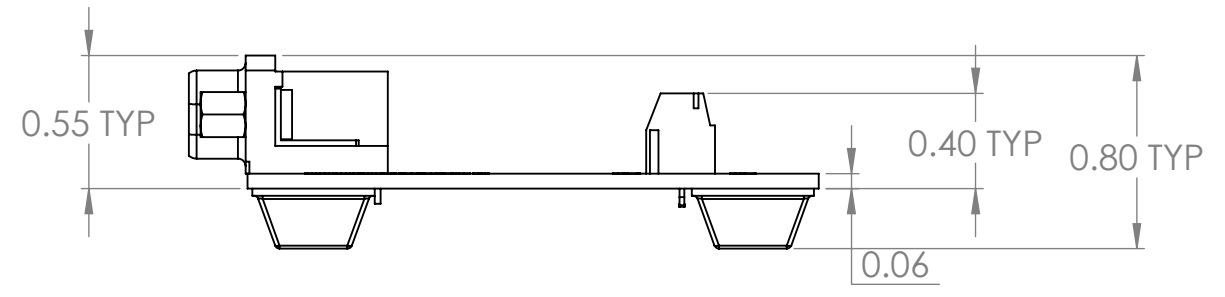
B

B

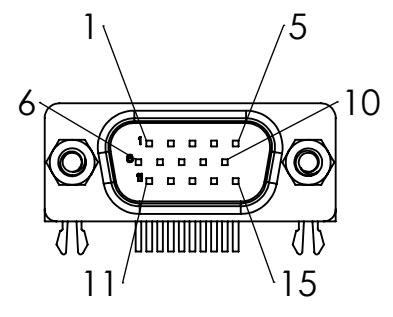


A

A



Connector Pinout




4

3

2

1

DIM: INCH	DATE: 11/19/2020	RoHS COMPLIANT: YES	DESCRIPTION: DB15 HD Male Screw Terminal Breakout Board
		WINFORD ENGINEERING, LLC 4561 GARFIELD ROAD AUBURN, MI 48611	PART NUMBER (S) BRK15HDMV2-R-FT
www.winford.com		989-671-9721	PART REVISION A